



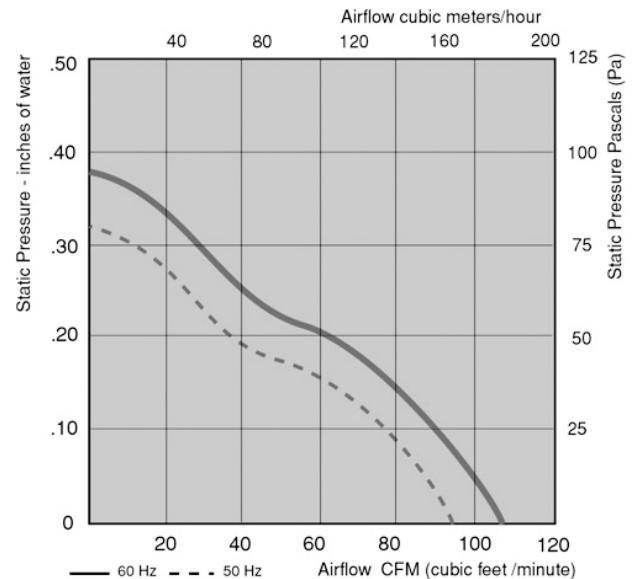
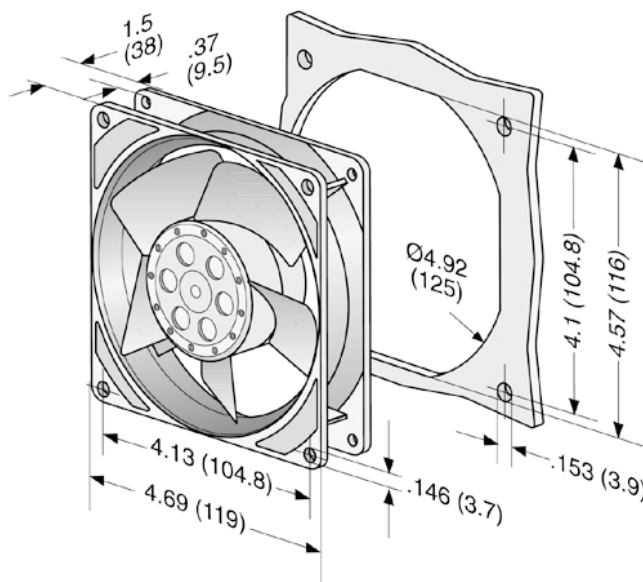
# 4600AX Series

Tubeaxial

119x119x38mm

- AC fans with external rotor shaded-pole motor. Impedance protected against overloading.
- Metal fan housing and impeller.
- Air intake over struts. Rotational direction CW looking at rotor.
- Mounting from either face using four 3.7 mm holes.
- Electrical connection via 2 flat pins 3.0 x 0.5 mm.
- Fan housing with ground lug for screw M4.
- Mounting: Either face using four 3.7mm (.146") holes.
- UL, CSA, VDE approvals on some models, please contact application engineering.

Part Number	CFM @ 0	Volts	Hertz	Power (W)	dBA	Max Ambient Temp C	Wgt. (lbs)	Type Of Bearing	Features
4600AX	106	115	50/60	18	50	60	1.13	Sintec	Terminals
4606AX	106	115	50/60	18	51	90	1.13	Ball	Terminals
4650AX	106	230	50/60	18	50	60	1.13	Sintec	Terminals
4656AX	106	230	50/60	18	51	90	1.13	Ball	Terminals



e-mail: [sales@ebm.com](mailto:sales@ebm.com) • TEL: 860-674-1515 • FAX: 860-674-8536  
 ebm Industries, Inc., 100 Hyde Road, Farmington, CT 06034 USA

ebm Industries, Inc., 2003 © ebm Industries, Inc. reserves the right to change any specifications or data without notice