

W2K121 Series

Tubeaxial

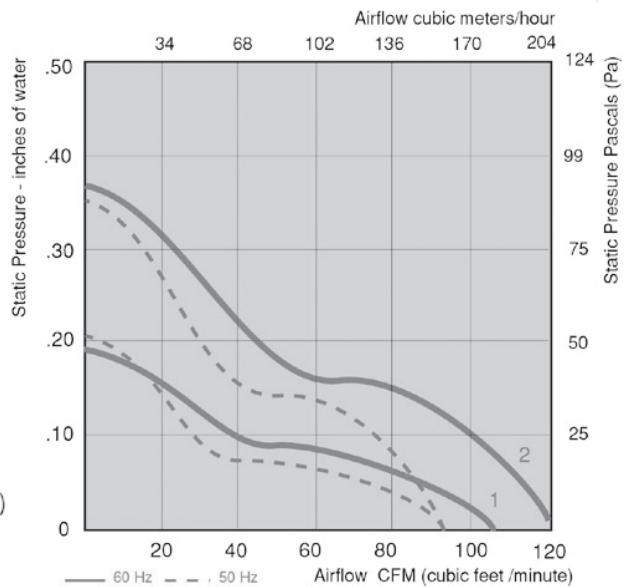
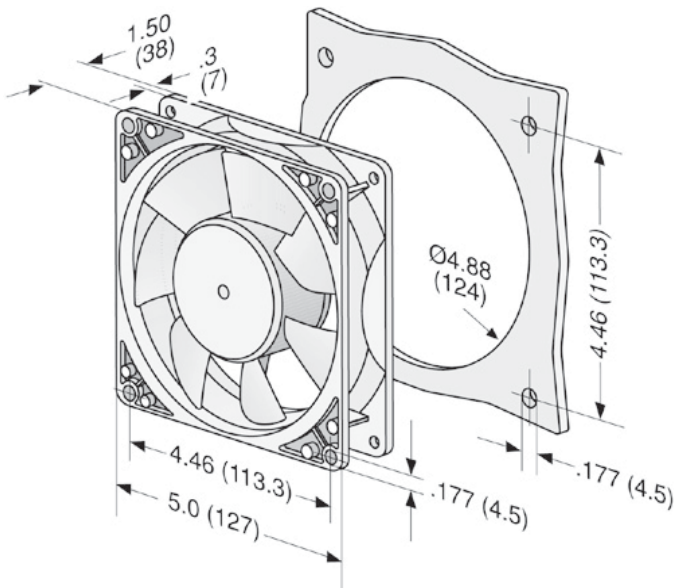
127x127x38mm



- AC fans with external rotor shaded-pole motor. Impedance protected against overloading.
- Metal fan housing, impeller of plastic PA.
- Air exhaust over struts. Rotational direction CCW looking at rotor.
- Mounting from either face using two 4.5 mm holes.
- Electrical connection via 2 flat pins 2.8 x 0.5 mm.
- Fan housing with ground lug for screw M 4x6 DIN 7500-C.
- UL, CSA, VDE approvals on some models, please contact application engineering.

Part Number	Curve	CFM @ 0	VAC	Hertz	Power (W)	dBa	Max Amb. Temp C	Bearing Type	Features	Wgt. (lbs)
W2K121-AB11-13	1	106	115	50/60	14	41	65	Ball	Terminals	1.25
W2K121-AB11-39	1	106	115	50/60	14	41	55	Sintec	Terminals	1.25
W2K121-AA15-01	2	121	115	50/60	17	47	75	Ball	Leads	1.25
W2K121-AA15-03	2	121	115	50/60	17	47	75	Sintec	Leads	1.25
W2K121-AA15-13	2	121	115	50/60	17	47	75	Ball	Terminals	1.25
W2K121-AA15-39	2	121	115	50/60	17	47	75	Sintec	Terminals	1.25
W2K121-AB07-13	1	106	230	50/60	14	41	65	Ball	Terminals	1.25
W2K121-AB07-39	1	106	230	50/60	14	41	55	Sintec	Terminals	1.25
W2K121-AA01-01	2	121	230	50/60	17	47	75	Ball	Leads	1.25
W2K121-AA01-03	2	121	230	50/60	17	47	75	Sintec	Leads	1.25
W2K121-AA01-13	2	121	230	50/60	17	47	75	Ball	Terminals	1.25
W2K121-AA01-39	2	121	230	50/60	17	47	75	Sintec	Terminals	1.25

Fan Type				Lead Wires	
AA01-01	AA01-03	AA15-01	AA15-03	269 mm long	AWG 22



ebmpapst

e-mail: sales@us.ebmpapst.com · TEL: 860-674-1515 · FAX: 860-674-8536

ebm-papst Inc., 100 Hyde Road, Farmington, CT 06034 USA

ebm-papst Inc., 2004 © ebm-papst Inc. reserves the right to change any specifications or data without notice