



Maltese AC - MA77B3 - 031844
 (Family) (Model) (Part Number)

Electrical Specifications

Rated Voltage:	230 VAC
AC Frequency:	60 Hz
Power Supply:	41.4 Watts
Line Current:	0.18 Amps
Locked Rotor Current	0.36 Amps
Nominal Speed:	3400 RPM

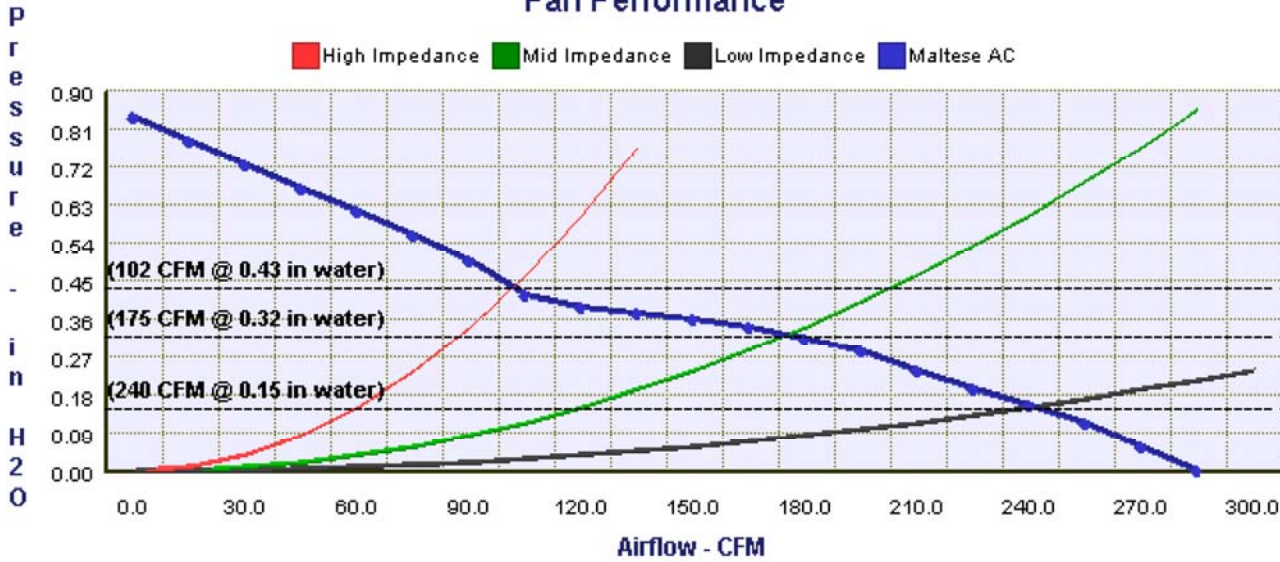


Mechanical Specifications

Dimensions:	6.77in x 5.91in x 2.17in
Weight	36.0 oz
Max Airflow @ 0 in H ₂ O	282.0 CFM
Max Pressure @ 0 CFM	0.840 in H ₂ O
Noise	56.6 dBA



Fan Performance



Comair Rotron, Inc.
 Phone: 619.651.2000
 sales@comairrotron.com

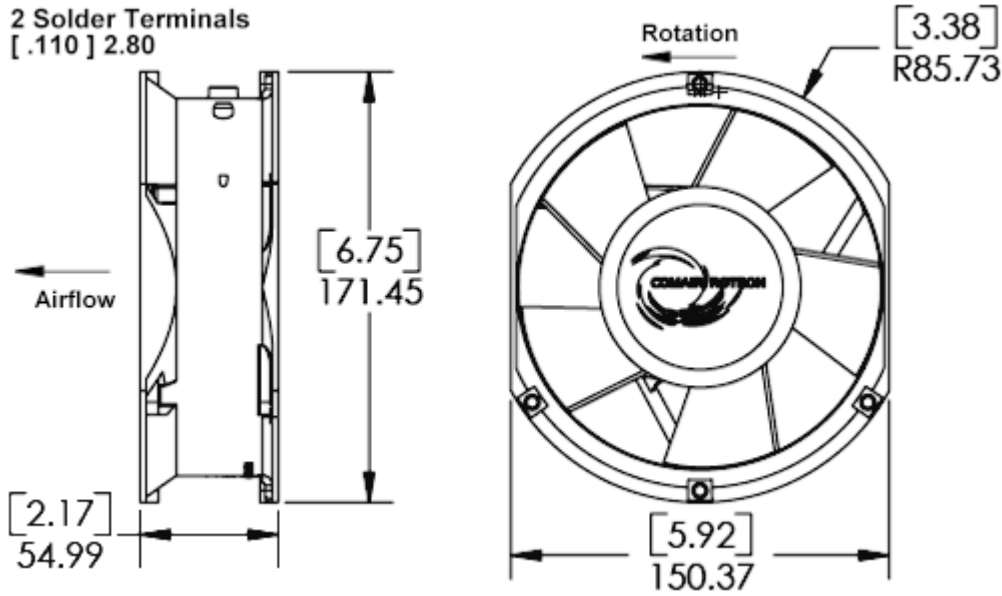
Comair Rotron Europe, Ltd.
 Phone: +44.1527.520525
 saleseurope@comairrotron.com

Comair Rotron Fan Company Ltd.
 Phone: +86.21.52260581
 salesasia@comairrotron.com

Print Date: Thursday, April 8, 2010 at 13:07:02 - AC Fan Datasheet - Web Version 1.0 Rev. A



Mechanical Drawing

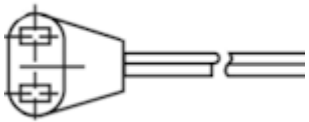


Options

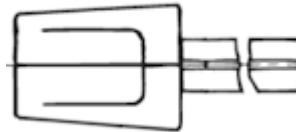
Part Number	Model Number	Bearing Type	Fan Rotation	Termination	In-Stock <small>(Click 'Yes' for current stock)</small>
<input checked="" type="radio"/> 031844	MA77B3	Ball	Normal	0.110 Terminals	No
<input type="radio"/> 032962	MA77B6	Ball	Normal	12 in Leads Min	No

Accessories (Click on part number for detailed drawing.)

428056
Plug and Cord



550440
Plug and Cord



Comair Rotron, Inc.
Phone: 619.651.2000
sales@comairrotron.com

Comair Rotron Europe, Ltd.
Phone: +44.1527.520525
sales@comairrotron.com

Comair Rotron Fan Company Ltd.
Phone: +86.21.52260581
salesasia@comairrotron.com

Print Date: Thursday, April 8, 2010 at 13:07:02 - AC Fan Datasheet - Web Version 1.0 Rev. A