



Maltese AC - MA2B3 - 031842
 (Family) (Model) (Part Number)

Electrical Specifications

Rated Voltage: 115 VAC
 AC Frequency: 60 Hz
 Power Supply: 41.4 Watts
 Line Current: 0.36 Amps
 Locked Rotor Current: 0.75 Amps
 Nominal Speed: 3400 RPM

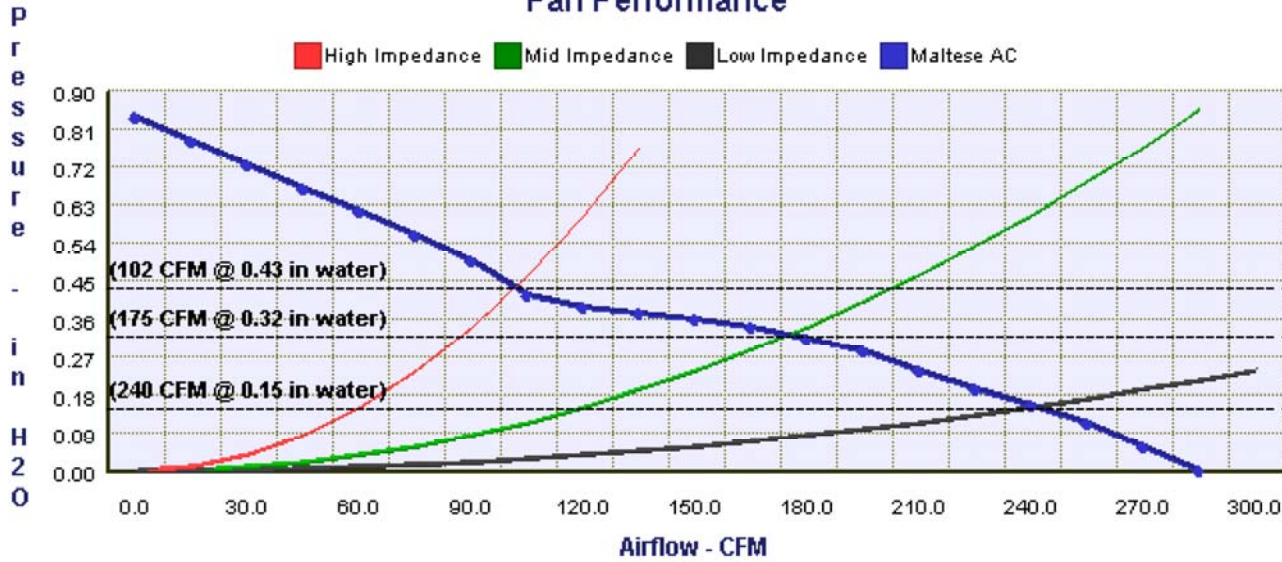


Mechanical Specifications

Dimensions: 6.77in x 5.91in x 2.17in
 Weight: 36.0 oz
 Max Airflow @ 0 in H₂O: 282.0 CFM
 Max Pressure @ 0 CFM: 0.840 in H₂O
 Noise: 56.5 dBA



Fan Performance



Comair Rotron, Inc.
 Phone: 619.651.2000
 sales@comairrotron.com

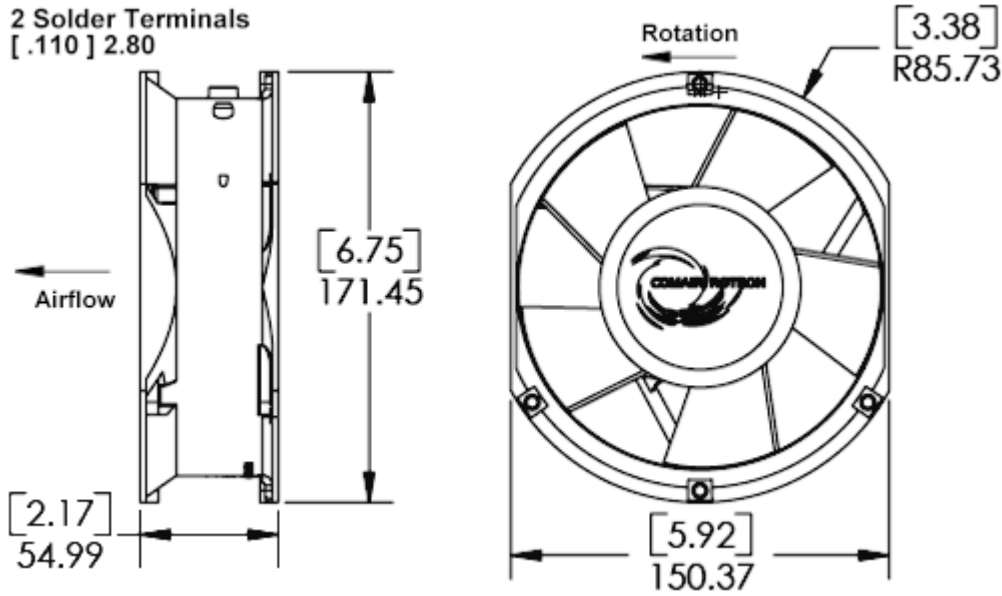
Comair Rotron Europe, Ltd.
 Phone: +44.1527.520525
 saleseurope@comairrotron.com

Comair Rotron Fan Company Ltd.
 Phone: +86.21.52260581
 salesasia@comairrotron.com

Print Date: Thursday, April 8, 2010 at 12:56:38 - AC Fan Datasheet - Web Version 1.0 Rev. A



Mechanical Drawing

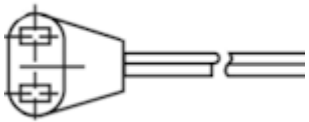


Options

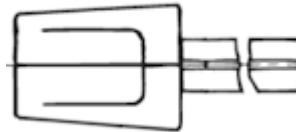
| Part Number | Model Number | Bearing Type | Fan Rotation | Termination | In-Stock <small>(Click 'Yes' for current stock)</small> |
|---|--------------|--------------|--------------|-----------------|--|
| <input checked="" type="radio"/> 031842 | MA2B3 | Ball | Normal | 0.110 Terminals | No |
| <input type="radio"/> 032963 | MA2B6 | Ball | Normal | 12 in Leads Min | No |

Accessories (Click on part number for detailed drawing.)

428056
Plug and Cord



550440
Plug and Cord



Comair Rotron, Inc.
Phone: 619.651.2000
sales@comairrotron.com

Comair Rotron Europe, Ltd.
Phone: +44.1527.520525
sales@comairrotron.com

Comair Rotron Fan Company Ltd.
Phone: +86.21.52260581
salesasia@comairrotron.com

Print Date: Thursday, April 8, 2010 at 12:56:38 - AC Fan Datasheet - Web Version 1.0 Rev. A