



Caravel AC - CLE2L2 - 020188
 (Family) (Model) (Part Number)

Electrical Specifications

Rated Voltage:	115 VAC
AC Frequency:	60 Hz
Power Supply:	61.0 Watts
Line Current:	0.50 Amps
Locked Rotor Current	1.50 Amps
Nominal Speed:	1650 RPM

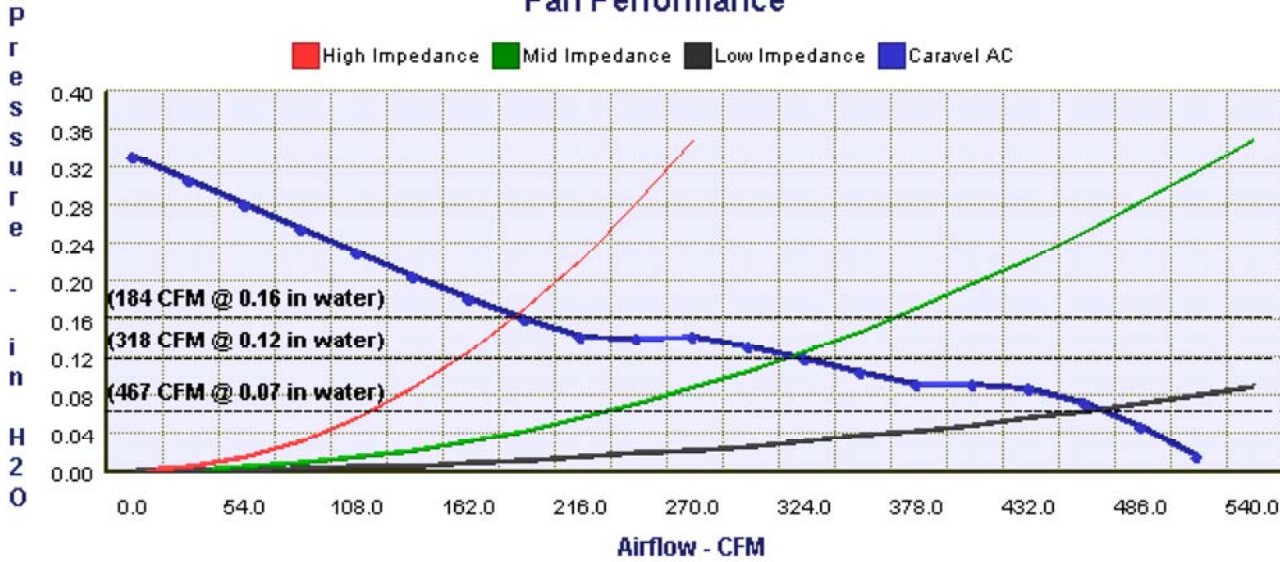


Mechanical Specifications

Dimensions:	10.00in x 3.50in
Weight	70.4 oz
Max Airflow @ 0 in H ₂ O	525.0 CFM
Max Pressure @ 0 CFM	0.331 in H ₂ O
Noise	49.2 dBA



Fan Performance



Comair Rotron, Inc.
 Phone: 619.651.2000
 sales@comairrotron.com

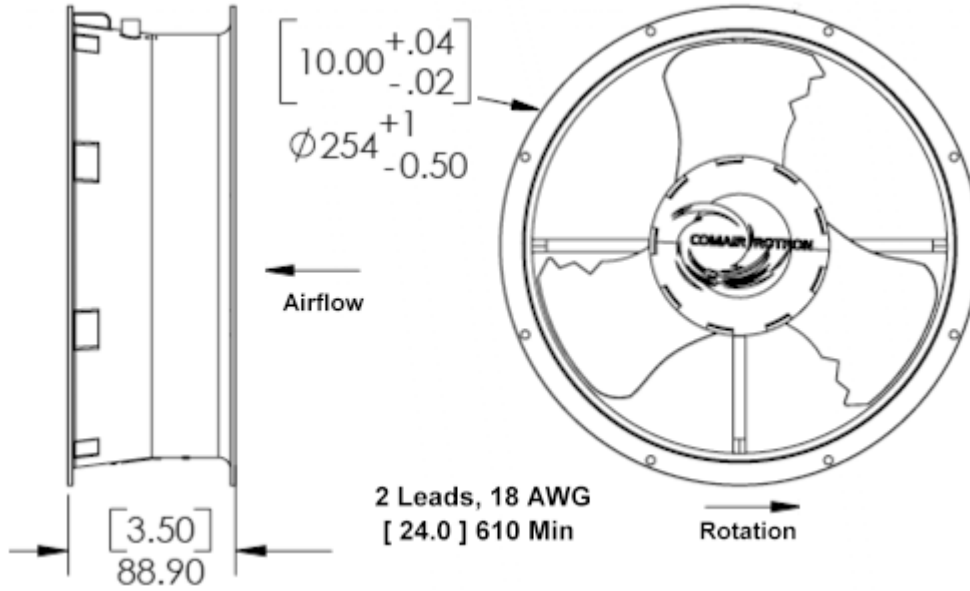
Comair Rotron Europe, Ltd.
 Phone: +44.1527.520525
 sales@comairrotron.com

Comair Rotron Fan Company Ltd.
 Phone: +86.21.52260581
 salesasia@comairrotron.com

Print Date: Thursday, April 8, 2010 at 11:51:17 - AC Fan Datasheet - Web Version 1.0 Rev. A



Mechanical Drawing

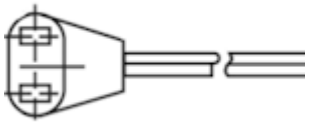


Options

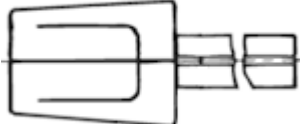
Part Number	Model Number	Bearing Type	Fan Rotation	Termination	In-Stock <small>(Click 'Yes' for current stock)</small>
<input checked="" type="radio"/> 020188	CLE2L2	Ball	Normal	24 in min 18 AWG Leads	No
<input type="radio"/> 020189	CLE2T2	Ball	Normal	Solder Terminals	No

Accessories (Click on part number for detailed drawing.)

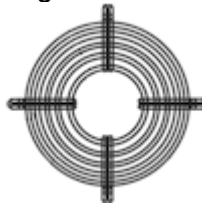
428056
Plug and Cord



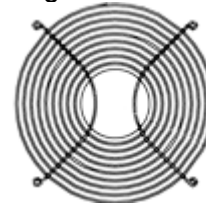
550440
Plug and Cord



476323
Finger Guard



557923
Finger Guard



Comair Rotron, Inc.
Phone: 619.651.2000
sales@comairrotron.com

Comair Rotron Europe, Ltd.
Phone: +44.1527.520525
saleseurope@comairrotron.com

Comair Rotron Fan Company Ltd.
Phone: +86.21.52260581
salesasia@comairrotron.com

Print Date: Thursday, April 8, 2010 at 11:51:17 - AC Fan Datasheet - Web Version 1.0 Rev. A