



**Major AC - MR77B3 - 028309**  
 (Family) (Model) (Part Number)

**Electrical Specifications**

Rated Voltage: 230 VAC  
 AC Frequency: 60 Hz  
 Power Supply: 30.0 Watts  
 Line Current: 0.14 Amps  
 Locked Rotor Current: 0.25 Amps  
 Nominal Speed: 3400 RPM

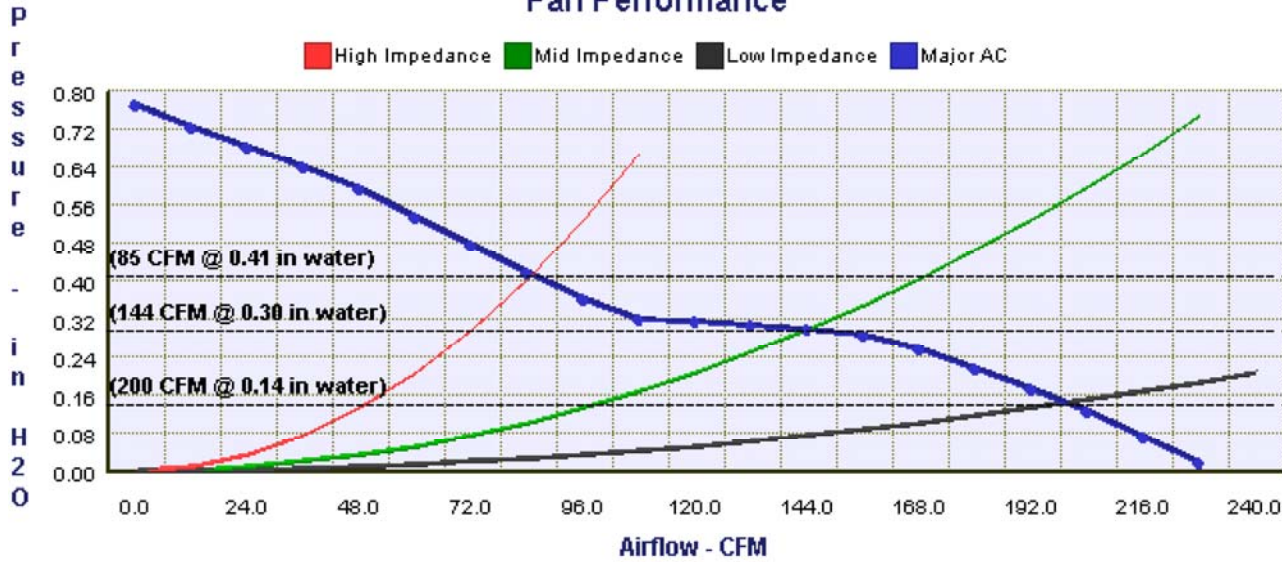


**Mechanical Specifications**

Dimensions: 6.77in x 5.91in x 2.01in  
 Weight: 29.4 oz  
 Max Airflow @ 0 in H<sub>2</sub>O: 231.0 CFM  
 Max Pressure @ 0 CFM: 0.769 in H<sub>2</sub>O  
 Noise: 56.6 dBA



**Fan Performance**



Comair Rotron, Inc.  
 Phone: 619.651.2000  
 sales@comairrotron.com

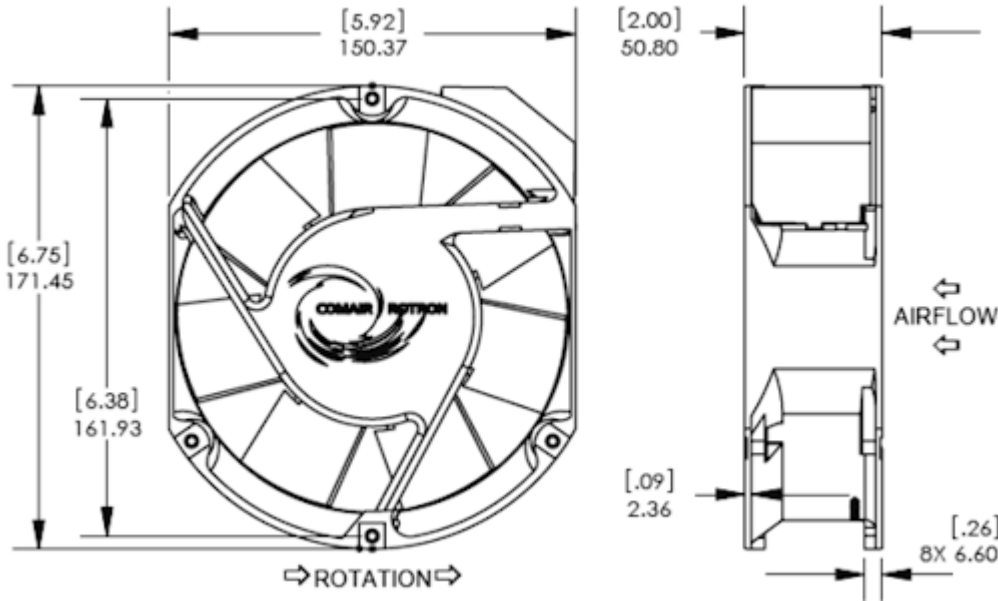
Comair Rotron Europe, Ltd.  
 Phone: +44.1527.520525  
 saleseurope@comairrotron.com

Comair Rotron Fan Company Ltd.  
 Phone: +86.21.52260581  
 salesasia@comairrotron.com

Print Date: Thursday, April 8, 2010 at 12:53:50 - AC Fan Datasheet - Web Version 1.0 Rev. A



## Mechanical Drawing

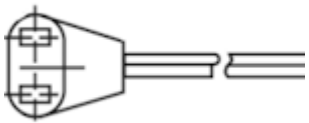


## Options

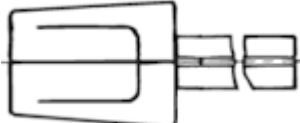
Part Number	Model Number	Bearing Type	Fan Rotation	Termination	In-Stock <small>(Click 'Yes' for current stock)</small>
<input type="radio"/> 028314	MR77B2	Ball	Normal	0.187 Terminals, No Venturi	No
<input checked="" type="radio"/> 028309	MR77B3	Ball	Normal	0.110 Terminals	No
<input type="radio"/> 032393	MR77B6	Ball	Normal	12 in Leads	No

## Accessories (Click on part number for detailed drawing.)

428056  
Plug and Cord



550440  
Plug and Cord



477663  
Mounting Clip



550272  
Finger Guard



**Comair Rotron, Inc.**  
Phone: 619.651.2000  
sales@comairrotron.com

**Comair Rotron Europe, Ltd.**  
Phone: +44.1527.520525  
sales@comairrotron.com

**Comair Rotron Fan Company Ltd.**  
Phone: +86.21.52260581  
salesasia@comairrotron.com

Print Date: Thursday, April 8, 2010 at 12:53:50 - AC Fan Datasheet - Web Version 1.0 Rev. A