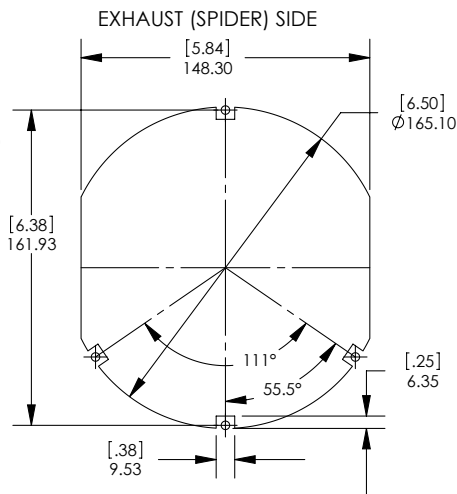
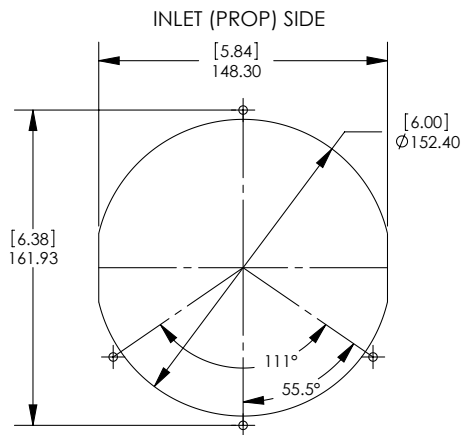


RECOMMENDED CUTOUTS



CONTACT INFO: WWW.COMAIRROTRON.COM		SALES@COMAIRROTRON.COM	
TOLERANCE UNLESS OTHERWISE SPECIFIED 2 PL. DEC. ± 0.3 [.8] 3 PL. DEC. ± 0.10 [.25] ANGULAR ± 30'		AMERICAN PROJECTION [IN] [MM]	
		(619) 661 - 6688	
		3D MODEL FOUND AT..	
MAJOR AC			