



Major AC - MR2B3 - 028245
 (Family) (Model) (Part Number)



Electrical Specifications

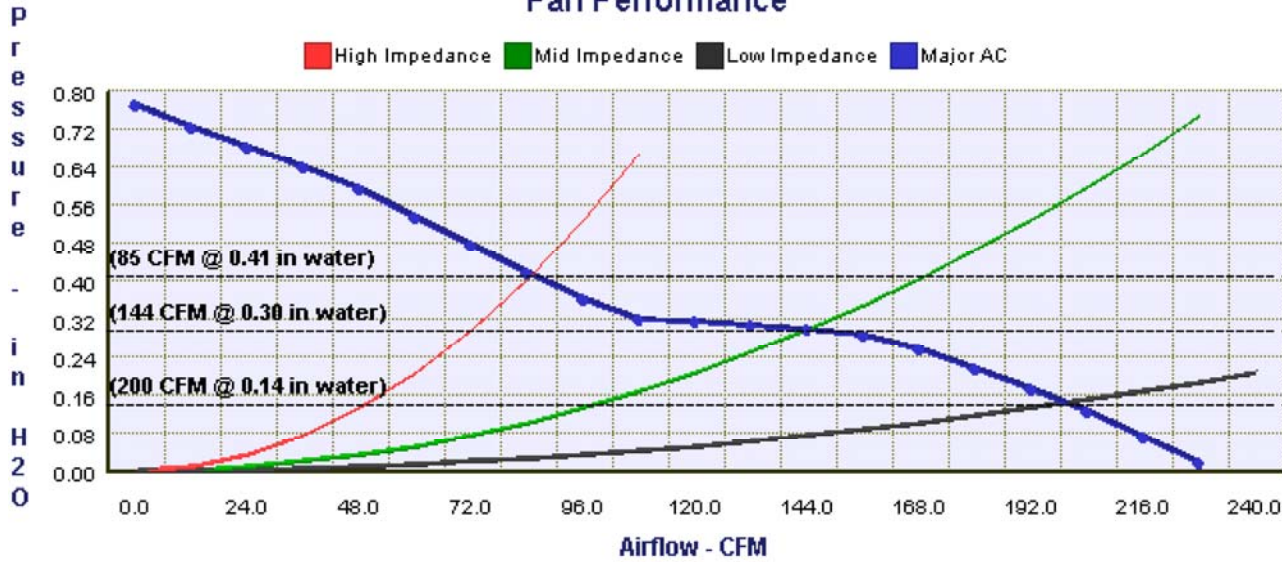
Rated Voltage: 115 VAC
 AC Frequency: 60 Hz
 Power Supply: 31.0 Watts
 Line Current: 0.26 Amps
 Locked Rotor Current: 0.49 Amps
 Nominal Speed: 3400 RPM

Mechanical Specifications

Dimensions: 6.77in x 5.91in x 2.01in
 Weight: 29.4 oz
 Max Airflow @ 0 in H₂O: 231.0 CFM
 Max Pressure @ 0 CFM: 0.769 in H₂O
 Noise: 56.6 dBA



Fan Performance



Comair Rotron, Inc.
 Phone: 619.651.2000
 sales@comairrotron.com

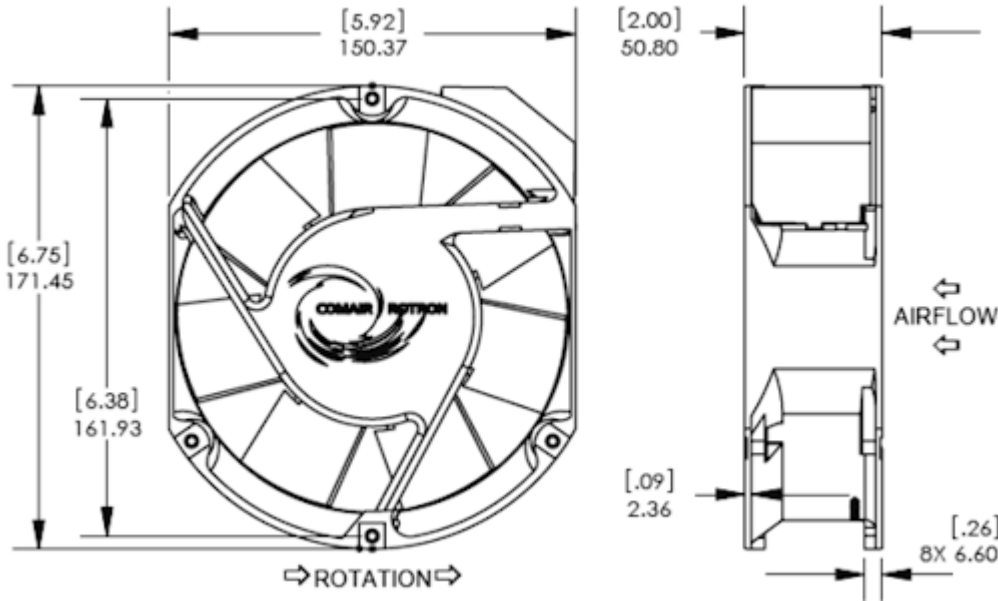
Comair Rotron Europe, Ltd.
 Phone: +44.1527.520525
 saleseurope@comairrotron.com

Comair Rotron Fan Company Ltd.
 Phone: +86.21.52260581
 salesasia@comairrotron.com

Print Date: Thursday, April 8, 2010 at 12:52:01 - AC Fan Datasheet - Web Version 1.0 Rev. A



Mechanical Drawing

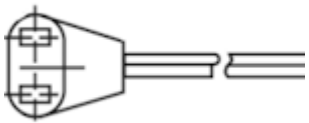


Options

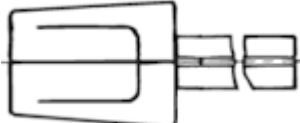
Part Number	Model Number	Bearing Type	Fan Rotation	Termination	In-Stock <small>(Click 'Yes' for current stock)</small>
<input type="radio"/> 028293	MR2B2	Ball	Normal	0.187 Terminals, No Venturi	No
<input checked="" type="radio"/> 028245	MR2B3	Ball	Normal	0.110 Terminals	No
<input type="radio"/> 039333	MR2B6	Ball	Normal	12 in Leads	No

Accessories (Click on part number for detailed drawing.)

428056
Plug and Cord



550440
Plug and Cord



477663
Mounting Clip



550272
Finger Guard



Comair Rotron, Inc.
Phone: 619.651.2000
sales@comairrotron.com

Comair Rotron Europe, Ltd.
Phone: +44.1527.520525
sales@comairrotron.com

Comair Rotron Fan Company Ltd.
Phone: +86.21.52260581
salesasia@comairrotron.com

Print Date: Thursday, April 8, 2010 at 12:52:01 - AC Fan Datasheet - Web Version 1.0 Rev. A