



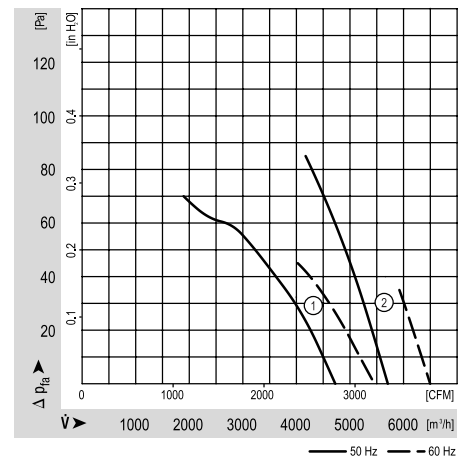
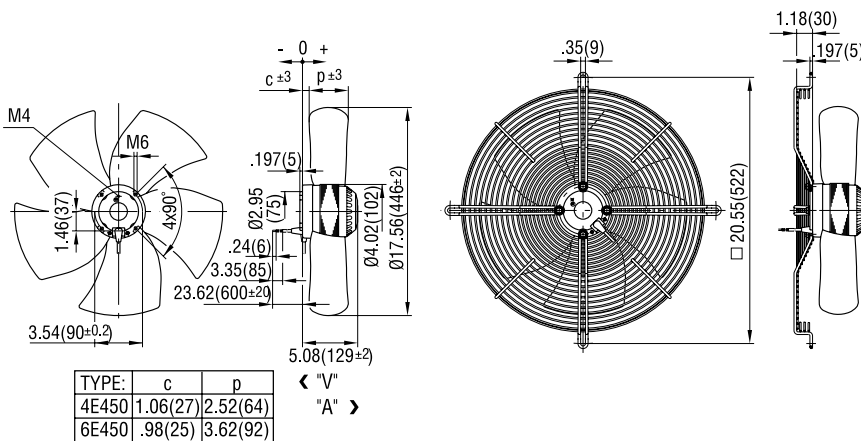
# S6E450A Series

Axial

## Ø 450mm S-Range

- ebm-papst offers a wide range of AC axial fans to optimally fit any application.
- All metal construction, shallow profile. Reduced noise and highly efficient compared to other fans.
- Direction of rotation is CCW looking at rotor.
- Maintenance-free ball bearings.
- UL, CSA, VDE approvals on most models, please contact application engineering.

Part Number	Curve	CFM @ 0	VAC	Hertz	Power (W)	dBA	Max Amb. Temp C	Bearing Type	Features	Capacitor (µF)	Grill Position	Wgt. (lbs)
S6E450-AP04-70	1	3070	115	50/60	220	66	40	Ball	Leads	16	Dischg	11.02
S6E450-AP04-71	1	3070	115	50/60	220	66	40	Ball	Leads	16	Inlet	11.02
S6E450-AP02-70	1	3070	230	50/60	220	66	40	Ball	Leads	4	Dischg	11.02
S6E450-AP02-71	1	3070	230	50/60	220	66	40	Ball	Leads	4	Inlet	11.02
S4E450-AP01-70	2	3735	230	50/60	350	75	40	Ball	Leads	8	Dischg	11.02
S4E450-AP01-71	2	3735	230	50/60	350	75	40	Ball	Leads	8	Inlet	11.02



**ebmpapst**

e-mail: [sales@us.ebmpapst.com](mailto:sales@us.ebmpapst.com) · TEL: 860-674-1515 · FAX: 860-674-8536

ebm-papst Inc., 100 Hyde Road, Farmington, CT 06034 USA

ebm-papst Inc., 2006 © ebm-papst Inc. reserves the right to change any specifications or data without notice