

W4E400A Series

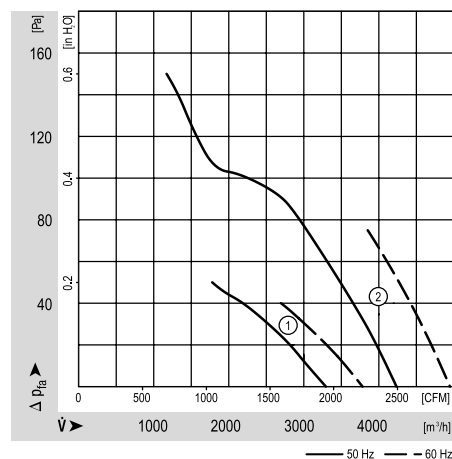
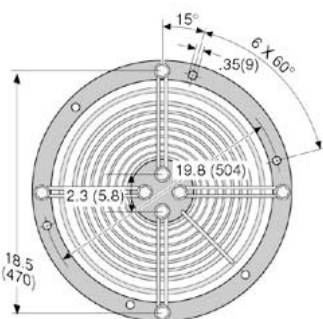
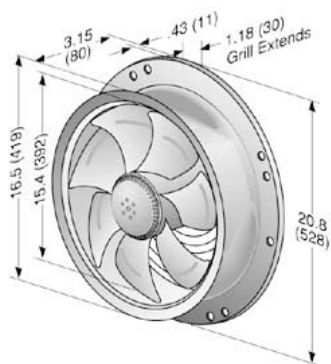
Axial



Ø 400mm S-Range

- ebm-papst offers a wide range of AC axial fans to optimally fit any application.
- All metal construction, shallow profile, round venturi plate. Reduced noise and highly efficient compared to other fans.
- Mounting plate with 9 mm holes. Ready to install.
- Discharge over struts: Dir. of rotation is CCW looking at rotor.
- Inlet over struts: Dir. of rotation is CW looking at rotor.
- Maintenance-free ball bearings.
- UL, CSA, VDE approvals on most models, please contact application engineering.

Part Number	Curve	CFM @ 0	VAC	Hertz	Power (W)	dBA	Max Amb. Temp C	Bearing Type	Features	Capacitor (µF)	Grill Position	Wgt. (lbs)
W6E400-CP34-70	1	2225	115	50/60	170	62	40	Ball	Leads	10	Dischg	8.82
W6E400-CP34-71	1	2225	115	50/60	170	62	40	Ball	Leads	10	Inlet	8.82
W4E400-CP14-71	2	2910	115	50/60	240	73	40	Ball	Leads	30	Inlet	9.26
W6E400-CP10-70	1	2225	230	50/60	170	62	40	Ball	Leads	3	Dischg	8.82
W6E400-CP10-71	1	2225	230	50/60	170	62	40	Ball	Leads	3	Inlet	8.82
W4E400-CP02-70	2	2910	230	50/60	240	73	40	Ball	Leads	8	Dischg	9.26
W4E400-CP02-71	2	2910	230	50/60	240	73	40	Ball	Leads	8	Inlet	9.26



ebmpapst

e-mail: sales@us.ebmpapst.com · TEL: 860-674-1515 · FAX: 860-674-8536

ebm-papst Inc., 100 Hyde Road, Farmington, CT 06034 USA

ebm-papst Inc., 2006 © ebm-papst Inc. reserves the right to change any specifications or data without notice