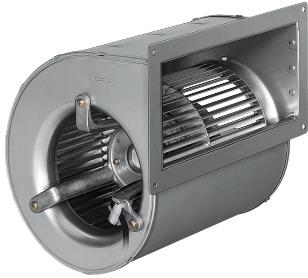


D4E146-AA07-22

AC centrifugal fan

forward curved, dual inlet
with housing (flange)



ebm-papst Mulfingen GmbH & Co. KG

Bachmühle 2
74673 Mulfingen
Phone: +49 7938 81-0
Fax: +49 7938 81-110
www.ebmpapst.com
info1@de.ebmpapst.com

Nominal data

Type	D4E146-AA07-22		
Motor	M4E068-CF		
Phase		1~	1~
Nominal voltage	[V]	230	230
Frequency	[Hz]	50	60
Type of data definition		rfa	rfa
Valid for approval / standard		CE	CE
Speed	[min ⁻¹]	1000	950
Power input	[W]	100	116
Current draw	[A]	0.44	0.51
Motor capacitor	[μF]	2	2
Capacitor voltage	[VDB]	450	450
Min. back pressure	[Pa]	0	0
Max. ambient temperature	[°C]	50	50

ml = max. load · me = max. efficiency · rfa = running at free air · cs = customer specs · cu = customer unit
Subject to alterations

AC centrifugal fan

forward curved, dual inlet
with housing (flange)

Technical features

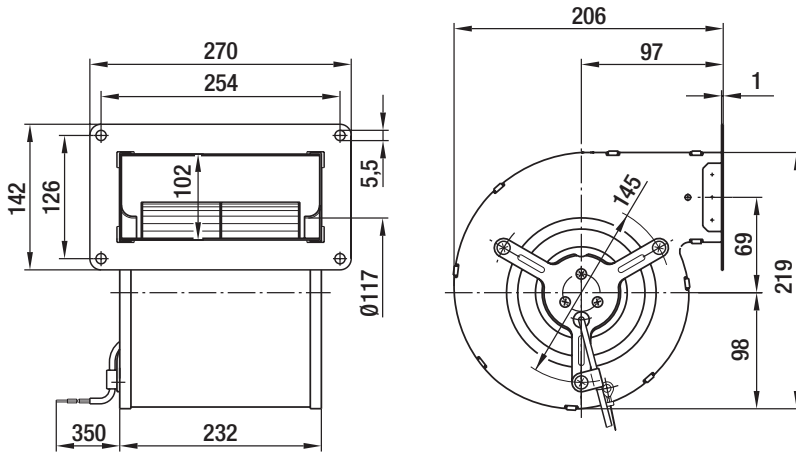
Leackage current	< 0,75 mA
General description	With flange
Size	146 mm
Operation mode	Continuous operation (S1)
Direction of rotation	Counter-clockwise, seen on rotor
Humidity class	F0
Insulation class	"B"
Cable exit	Axial
Bearing motor	Ball bearing
Mass	3.5 kg
Housing material	Sendzimir galvanized sheet steel
Material of impeller	Sendzimir galvanized sheet steel
Motor protection	Thermal overload protector (TOP) wired internally
Product conforming to standard	CE
Type of protection	IP 44
Protection class	I

D4E146-AA07-22

AC centrifugal fan

forward curved, dual inlet
with housing (flange)

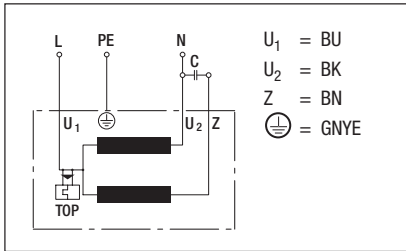
Product drawing



AC centrifugal fan

forward curved, dual inlet
with housing (flange)

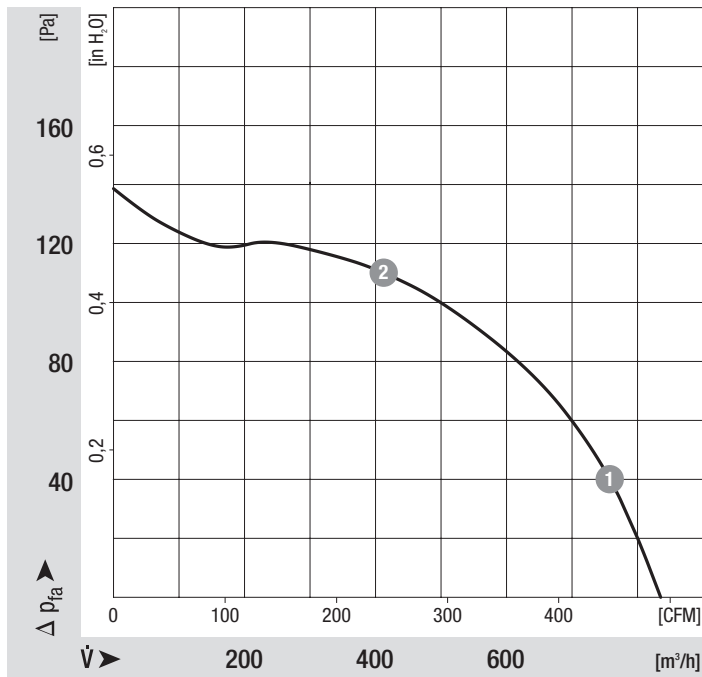
Connection screen



AC centrifugal fan

forward curved, dual inlet
with housing (flange)

Charts: Air flow 50 Hz



Measured values

	n	P ₁	I
	[min ⁻¹]	[W]	[A]
1	1180	88	0.39
2	1390	65	0.29

AC centrifugal fan

forward curved, dual inlet
with housing (flange)

Charts: Air flow 60 Hz

