

W4E315A Series

Axial

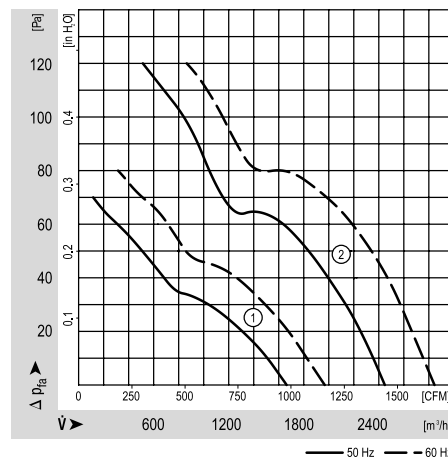
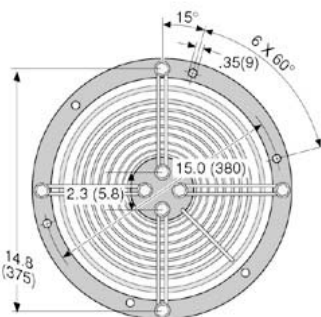
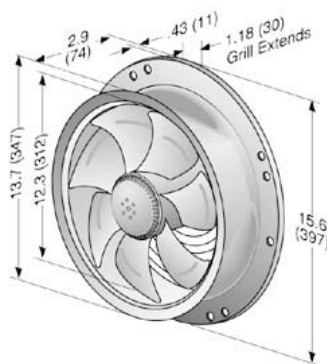
Ø 315mm S-Range



- ebm-papst offers a wide range of AC axial fans to optimally fit any application.
- All metal construction, shallow profile, round venturi plate. Reduced noise and highly efficient compared to other fans.
- Mounting plate with 9 mm holes. Ready to install.

- Discharge over struts: Dir. of rotation is CCW looking at rotor.
- Inlet over struts: Dir. of rotation is CW looking at rotor.
- Maintenance-free ball bearings.
- UL, CSA, VDE approvals on most models, please contact application engineering.

Part Number	Curve	CFM @ 0	VAC	Hertz	Power (W)	dBA	Max Amb. Temp C	Bearing Type	Features	Capacitor (µF)	Grill Position	Wgt. (lbs)
W6E315-CP20-70	1	1135	115	50/60	68	53	70	Ball	Leads	8	Dischg	5.29
W6E315-CP20-71	1	1135	115	50/60	68	53	70	Ball	Leads	8	Dischg	5.29
W4E315-CP22-70	2	1710	115	50/60	120	64	50	Ball	Leads	14	Dischg	5.29
W4E315-CP22-71	2	1710	115	50/60	120	64	50	Ball	Leads	14	Inlet	5.29
W6E315-CP02-70	1	1135	230	50/60	68	53	70	Ball	Leads	2	Dischg	5.29
W6E315-CP02-71	1	1135	230	50/60	68	53	70	Ball	Leads	2	Dischg	5.29
W4E315-CP18-70	2	1710	230	50/60	120	64	50	Ball	Leads	4	Dischg	5.29
W4E315-CP18-71	2	1710	230	50/60	120	64	50	Ball	Leads	4	Inlet	5.29



ebmpapst

e-mail: sales@us.ebmpapst.com · TEL: 860-674-1515 · FAX: 860-674-8536

ebm-papst Inc., 100 Hyde Road, Farmington, CT 06034 USA

ebm-papst Inc., 2006 © ebm-papst Inc. reserves the right to change any specifications or data without notice