

W2E250A Series

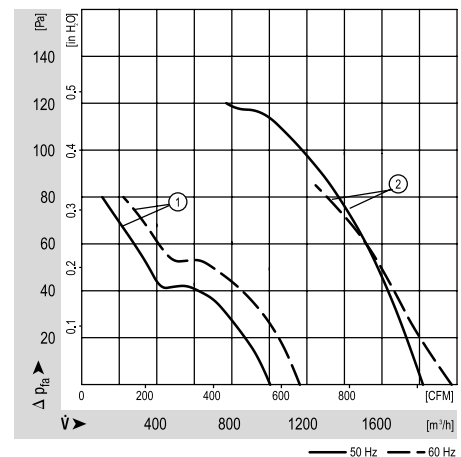
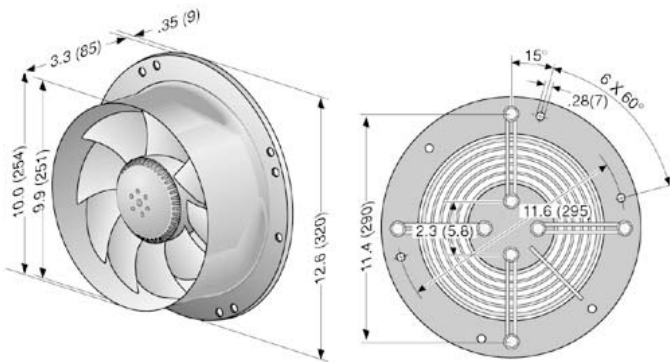
Axial



Ø 250mm S-Range

- AC Axial fan with round venturi housing. Shallow depth with external rotor motor for exceptional performance and long life.
- Individual sickle blades made of sheet steel are welded onto the external-rotor motor and dynamically balanced.
- Direction of rotation is CCW looking at rotor.
- Maintenance-free ball bearings.
- Mounting plate with 7 mm holes. Ready to install.
- UL, CSA, VDE approvals on most models, please contact application engineering.

Part Number	Curve	CFM @ 0	VAC	Hertz	Power (W)	dBA	Max. Amb. Temp C	Bearing Type	Features	Capacitor (µF)	Grill Position	Wgt. (lbs)
W4S250-CH20-70	1	645	115	50/60	68	61	60	Ball	Leads	-	Dischg	2.69
W4S250-CI20-70	1	645	115	50/60	68	61	60	Ball	Leads	-	Inlet	2.69
W2E250-CL08-70	2	1100	115	50/60	160	71	40	Ball	Leads	12	Dischg	3.13
W2E250-CM08-70	2	1100	115	50/60	160	71	40	Ball	Leads	12	Inlet	3.13
W4S250-CH02-70	1	645	230	50/60	68	61	60	Ball	Leads	-	Dischg	2.69
W4S250-CI02-70	1	645	230	50/60	68	61	60	Ball	Leads	-	Inlet	2.69
W2E250-CL06-70	2	1100	230	50/60	160	71	40	Ball	Leads	3	Dischg	3.13
W2E250-CM06-70	2	1100	230	50/60	160	71	40	Ball	Leads	3	Inlet	3.13



ebmpapst

e-mail: sales@us.ebmpapst.com · TEL: 860-674-1515 · FAX: 860-674-8536

ebm-papst Inc., 100 Hyde Road, Farmington, CT 06034 USA

ebm-papst Inc., 2006 © ebm-papst Inc. reserves the right to change any specifications or data without notice