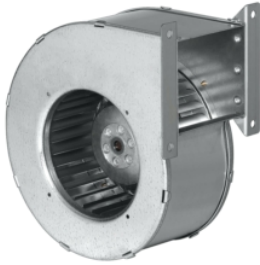


G2E120-CR21-01

## AC centrifugal fan

forward curved, single inlet  
with housing (small flange)



**ebm-papst Mulfingen GmbH & Co. KG**

Bachmühle 2  
74673 Mulfingen  
Phone: +49 7938 81-0  
Fax: +49 7938 81-110  
www.ebmpapst.com  
info1@de.ebmpapst.com

### Nominal data

| Type                          | G2E120-CR21-01       |         |         |
|-------------------------------|----------------------|---------|---------|
| Motor                         | M2E068-BF            |         |         |
| Phase                         |                      | 1~      | 1~      |
| Nominal voltage               | [V]                  | 230     | 230     |
| Frequency                     | [Hz]                 | 50      | 60      |
| Type of data definition       |                      | rfa     | rfa     |
| Valid for approval / standard |                      | CE      | CE      |
| Speed                         | [min <sup>-1</sup> ] | 2200    | 2050    |
| Power input                   | [W]                  | 83      | 100     |
| Current draw                  | [A]                  | 0,37    | 0.45    |
| Motor capacitor               | [μF]                 | 2       | 2       |
| Capacitor voltage             | [VDB]                | 450     | 450     |
| Capacitor standard            |                      | P0 (CE) | P0 (CE) |
| Min. back pressure            | [Pa]                 | 0       | 0       |
| Max. ambient temperature      | [°C]                 | 50      | 45      |
| Air flow                      | [m <sup>3</sup> /h]  | 275     | 255     |
| Back pressure                 | [Pa]                 | 0       | 0       |
| Sound pressure level          | [dB(A)]              | 64      | 63      |

ml = max. load · me = max. efficiency · rfa = running at free air · cs = customer specs · cu = customer unit  
Subject to alterations

# AC centrifugal fan

forward curved, single inlet  
with housing (small flange)

## Technical features

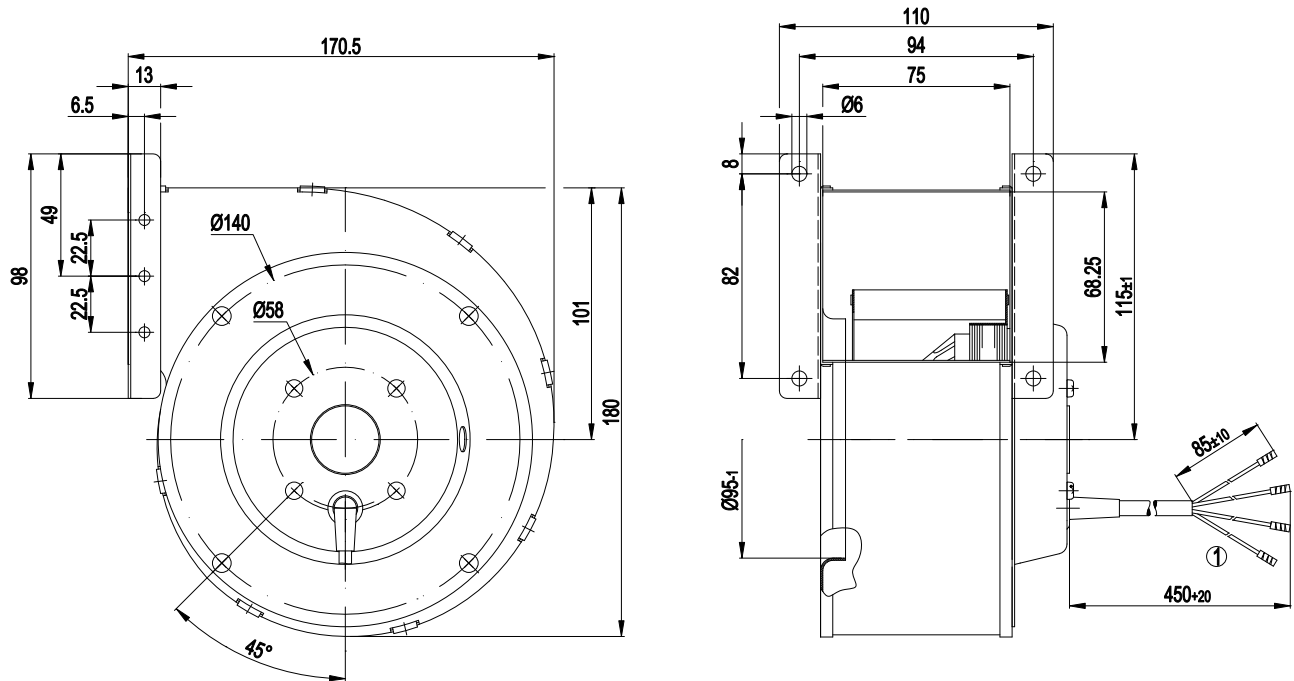
|   |   |
|---|---|
| Leackage current  | < 0,75 mA   |
| Size  | 120 mm  |
| Operation mode  | S1  |
| Direction of rotation                                   | Clockwise, seen on rotor                          |
| Mounting position                                       | Shaft horizontal                                  |
| Insulation class  | "B"   |
| Cable exit  | Axial   |
| Condensate discharge holes                              | None  |
| Bearing motor   | Ball bearing                                      |
| Mass  | 1.9 kg  |
| Housing material  | Sendzimir galvanized sheet steel                  |
| Material of impeller                                    | Sendzimir galvanized sheet steel                  |
| Motor protection  | Thermal overload protector (TOP) wired internally |
| Product conforming to standard                          | CE; EN 60335-1                                    |
| Surface of rotor  | Uncoated  |
| Type of protection                                      | IP 44 - depending on position                     |
| Protection class  | I   |
| Max. permissible ambient motor temp. (transp./ storage) | + 80 °C   |
| Min. permissible ambient motor temp. (transp./storage)  | - 40 °C   |
| Approval  | CCC; GOST   |

G2E120-CR21-01

# AC centrifugal fan

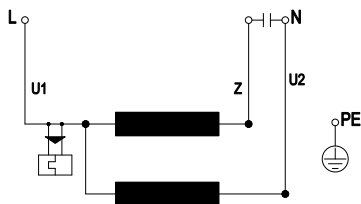
forward curved, single inlet  
with housing (small flange)

## Product drawing



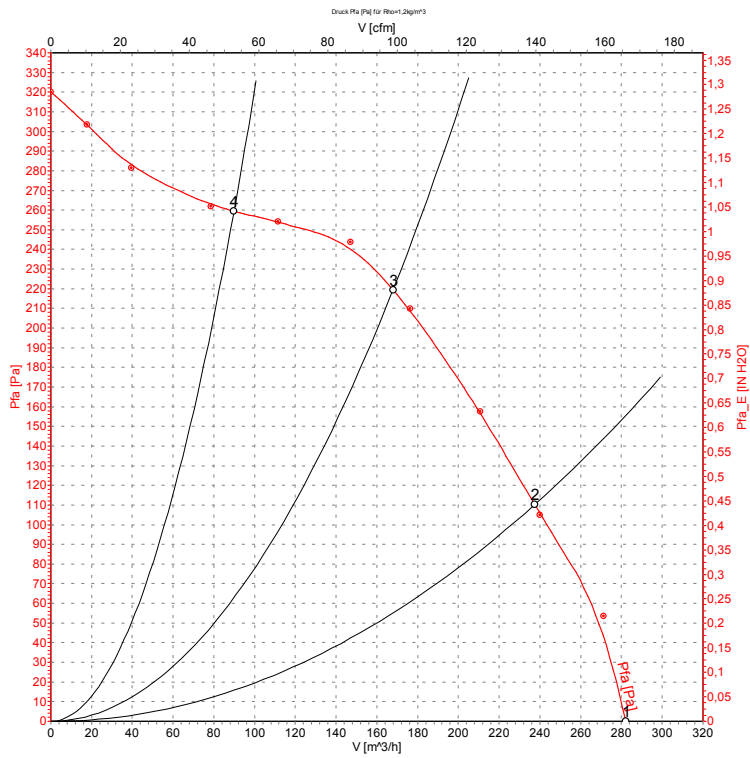
1 Connection line PVC, 4x brass lead tips crimped

## Connection screen



|    |              |   |       |    |       |
|----|--------------|---|-------|----|-------|
| U1 | blue         | Z | brown | U2 | black |
| PE | green/yellow |   |       |    |       |

## Charts: Air flow 50 Hz

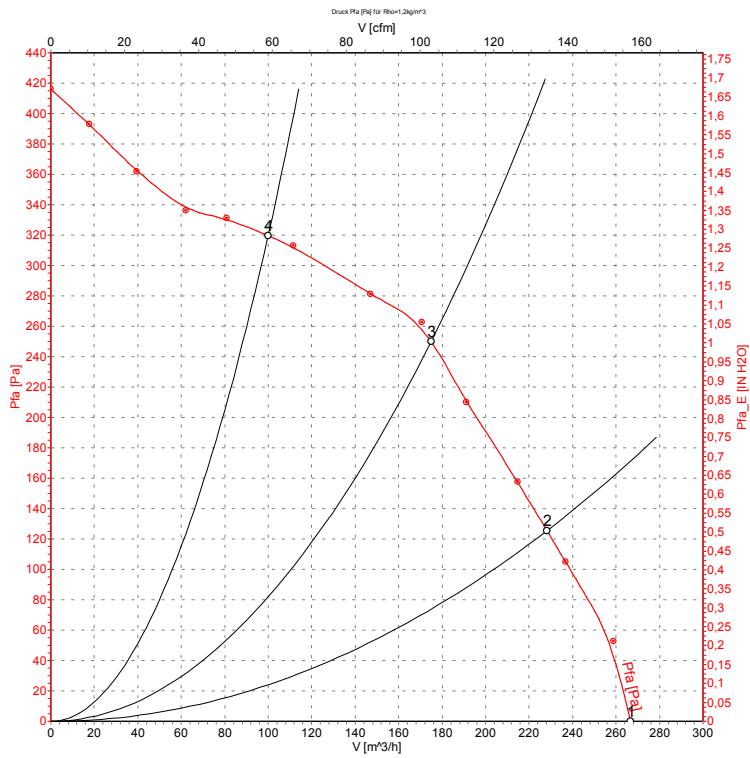


Measurement: LU-57078

## Measured values

|   | U   | f    | n              | $P_1$ | I    | $\hat{V}$   | $P_{fa}$ |
|---|-----|------|----------------|-------|------|-------------|----------|
|   | [V] | [Hz] | [ $min^{-1}$ ] | [W]   | [A]  | [ $m^3/h$ ] | [Pa]     |
| 1 | 230 | 50   | 2200           | 83    | 0.37 | 280         | 0        |
| 2 | 230 | 50   | 2375           | 79    | 0.34 | 235         | 110      |
| 3 | 230 | 50   | 2575           | 72    | 0.31 | 170         | 220      |
| 4 | 230 | 50   | 2740           | 65    | 0.29 | 90          | 260      |

## Charts: Air flow 60 Hz



Measurement: LU-57079

## Measured values

|   | U   | f    | n                    | P <sub>1</sub> | I    | $\hat{V}$           | P <sub>1a</sub> |
|---|-----|------|----------------------|----------------|------|---------------------|-----------------|
|   | [V] | [Hz] | [min <sup>-1</sup> ] | [W]            | [A]  | [m <sup>3</sup> /h] | [Pa]            |
| 1 | 230 | 60   | 2050                 | 100            | 0.45 | 265                 | 0               |
| 2 | 230 | 60   | 2405                 | 99             | 0.43 | 230                 | 125             |
| 3 | 230 | 60   | 2710                 | 94             | 0.41 | 175                 | 250             |
| 4 | 230 | 60   | 3030                 | 87             | 0.38 | 100                 | 320             |