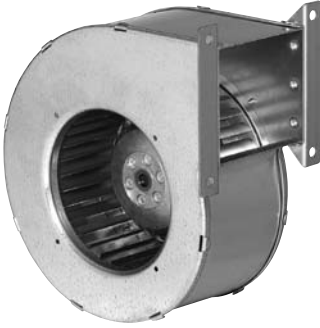


G2E120 Series Centrifugal Blower

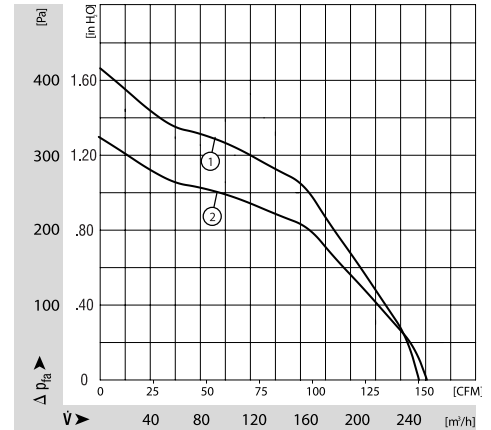
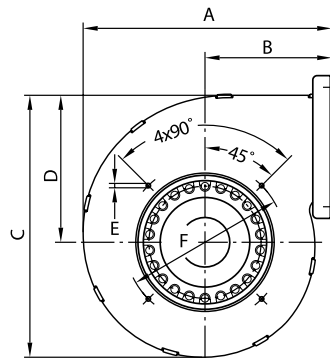
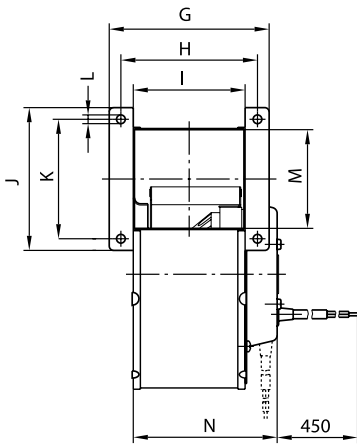
Ø 120mm



- AC single inlet, forward curved centrifugal blower. Via a bracket, the integrated external-rotor motor is mounted on one side of the housing.
- Housing of die-cast aluminium; impeller of galvanised sheet-steel. Forward curved impellers are directly press-fitted onto the rotor of the external-rotor motor.
- Direction of rotation is CW as seen from suction side. Insulation class "B".
- Maintenance-free ball bearings.
- UL, CSA, VDE approvals on some models, please contact application engineering.

| Part Number | Curve | CFM @ 0 | VAC | Hertz | Power (W) | dBA | Max Amb. Temp. C | Bearing Type | Features | Capacitor (µF) | Wgt. (lbs) |
|----------------|-------|---------|-----|-------|-----------|-----|------------------|--------------|----------|----------------|------------|
| G2E120-CR21-01 | 1 | 150 | 230 | 60* | 100 | 63 | 60 | Ball | Leads | 2 | 4.50 |
| G2E120-AR54-43 | 2 | 152 | 115 | 60 | 105 | 62 | 60 | Ball | Leads | 6 | 4.50 |
| G2E120-AR38-43 | 2 | 152 | 230 | 60 | 90 | 62 | 60 | Ball | Leads | 2 | 4.50 |

* 50 Hz data available.



| Type | A | B | C | D | E | F | G | H | I | J | K | L | M | N |
|-----------|---------------|--------------|---------------|---------------|-------------|---------------|---------------|---------------|--------------|--------------|--------------|-------------|--------------|--------------|
| G2E120-CR | 171 (6.73) | 87 (3.43) | 180 (7.08) | 101 (3.98) | 3 (0.12) | 110 (4.33) | 110 (4.33) | 94 (3.70) | 77 (3.03) | 98 (3.86) | 82 (3.23) | 6 (0.24) | 67 (2.64) | 99 (3.90) |
| G2E120-AR | 174 (10.0) | 82 (9.37) | 190 (4.25) | 82 (3.62) | M4 - | 132 (8.46) | 115 (11.8) | 100 (6.75) | 76 (3.46) | 83 (7.09) | 68 (3.11) | 7 (2.60) | 50 (3.11) | 98 (2.60) |