

# D2E140 Series Centrifugal Blower

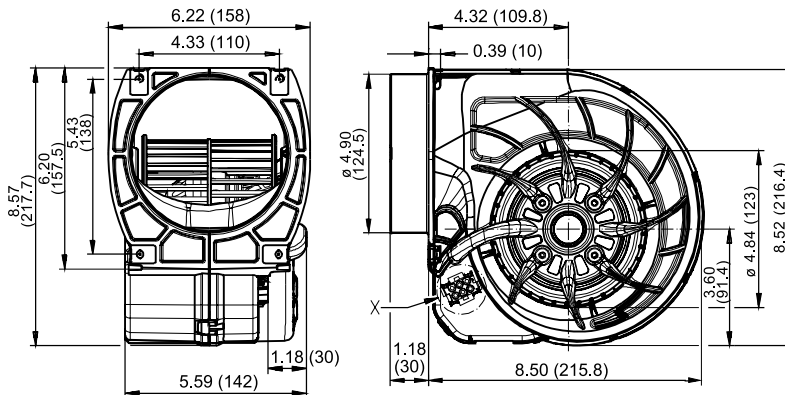
## Ø 140mm 4-speed



- AC dual inlet, forward curved centrifugal blower operates at 4 air flow levels. Via brackets, the standard external-rotor motor is mounted on one side of the scroll housing.
- Scroll housing with integrated terminal box made of polypropylene reinforced with French chalk, colored in black, and impeller made of polypropylene in natural color.
- Direction of rotation is CCW as seen on plug. Insulation class "F".
- Cable harness must be ordered separately.
 

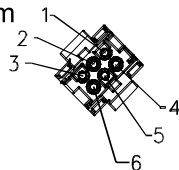
Part Number	Inches	(mm)
21956-4-1040	11.81	(300)
21957-4-1040	17.72	(450)
21958-4-1040	25.60	(650)
21959-4-1040	39.37	(1000)
- VDE/CE approvals. UL on request.

Part Number	CFM @ 0	Curve	Volts	Hertz	Power (W)	dBa	Max Ambient Temp C
D2E140-HR97-05	101	4	230	50/60	56	36	40
	158	3	230	50/60	75	46	40
	212	2	230	50/60	100	52	40
	253	1	230	50/60	128	56	40

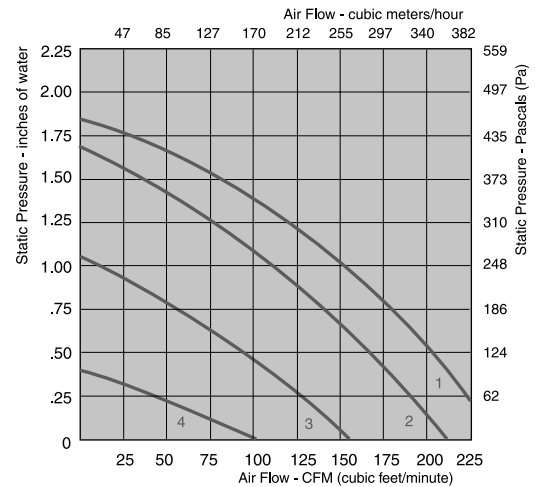


### Wiring Diagram

View X  
AMP Universal  
MATE-N-LOCK  
Housing # 926 682-3  
Wire Pin # 926 866-1



- 1 = Speed 1 (min)
- 2 = Speed 2
- 3 = Speed 3
- 4 = Speed 4 (max)
- 5 = Neutral
- 6 = Ground



e-mail: [sales@ebm.com](mailto:sales@ebm.com) • TEL: 860-674-1515 • FAX: 860-674-8536  
ebm Industries, Inc., 100 Hyde Road, Farmington, CT 06034 USA

ebm Industries, Inc., 2003 © ebm Industries, Inc. reserves the right to change any specifications or data without notice