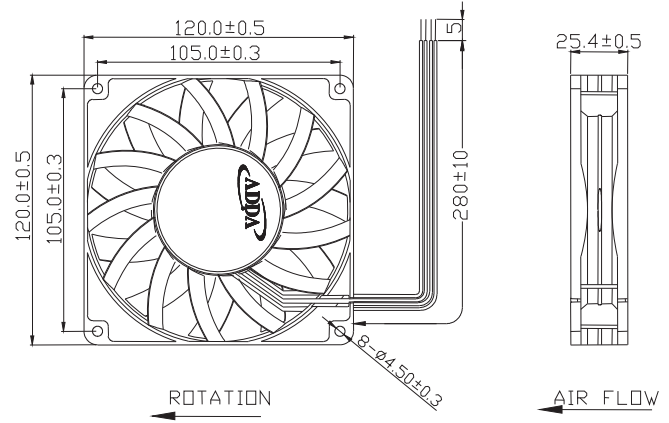


AS12025 SERIES



External Dimensions



Frame: Plastic(UL:94V-0)
 Impeller: Plastic(UL:94V-0)
 Lead wire: UL1007AWG24

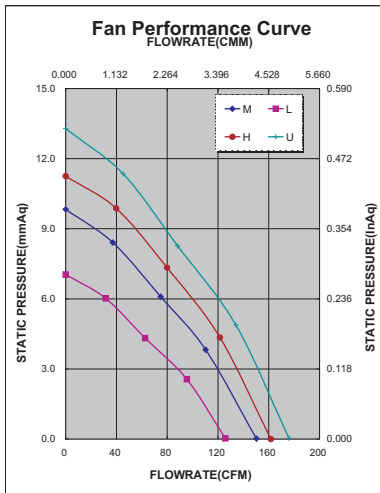
Specifications(Nominal)

*Noise is measured at the distance of one (1) meter from the axis of intake.

Bearing type: ⊙=Ball ⊛=Sleeve ○=1B1S ●=Hypro bearing

Frame size (mm)	Model No.	Bearing System Type	Rated Voltage (VDC)	Current (A)	Power (W)	Rated Speed (rpm)	Maximum AirFlow (CMM) (CFM)		Maximum Pressure (InAq) (mmAq)		*Noise Level (dB/A)	Weight (g)
120x120x25	AS12012LB25A100	⊙	12	0.66	7.92	2900	3.560	125.817	0.277	7.035	51.0	220.0
	AS12012MB25A100	⊙	12	0.84	10.08	3400	4.266	150.766	0.387	9.829	54.7	
	AS12012HB25A100	⊙	12	1.06	12.72	3700	4.570	161.505	0.443	11.252	57.8	
	AS12012UB25A100	⊙	12	1.42	17.04	4000	4.977	175.895	0.523	13.284	58.6	
	AS12024LB25A100	⊙	24	0.28	6.72	2900	3.560	125.817	0.277	7.035	51.0	
	AS12024MB25A100	⊙	24	0.43	10.32	3400	4.266	150.766	0.387	9.829	54.7	
	AS12024HB25A100	⊙	24	0.55	13.20	3700	4.570	161.505	0.443	11.252	57.8	
	AS12024UB25A100	⊙	24	0.71	17.04	4000	4.977	175.895	0.523	13.284	58.6	
	AS12048LB25A100	⊙	48	0.17	8.16	2900	3.560	125.817	0.277	7.035	51.0	
	AS12048MB25A100	⊙	48	0.23	11.04	3400	4.266	150.766	0.387	9.829	54.7	
	AS12048HB25A100	⊙	48	0.30	14.40	3700	4.570	161.505	0.443	11.252	57.8	
	AS12048UB25A100	⊙	48	0.37	17.76	4000	4.977	175.895	0.523	13.284	58.6	

Specifications subject to change without notice.



*Motor protective circuit and third lead wire functions

0	1	2	3	4	6	7	8	9	A	B
	✓		✓					✓		✓

*Safety approvals

✓	✓		✓	✓