

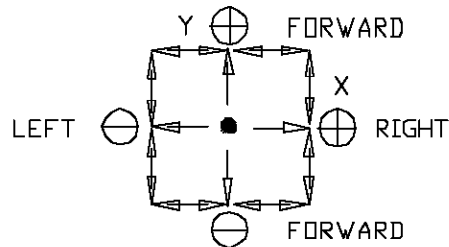
ELECTRICAL CHARACTERISTICS.

RESISTANCE — — — — — 5K OHMS  
 SIGNAL SWING(FROM CENTER) — — — 41% TO 59% VS  
 RESISTANCE TOLERANCE — — — ±5%  
 SUPPLY CURRENT — — — — — TYPICALLY 1mA  
 OPERATING TEMPERATURE — — — — -20°C - +55°C  
 PREFERRED LOAD (TYPICAL) — — — >100K  
 SWITCH LIFE — — — — — 500 K

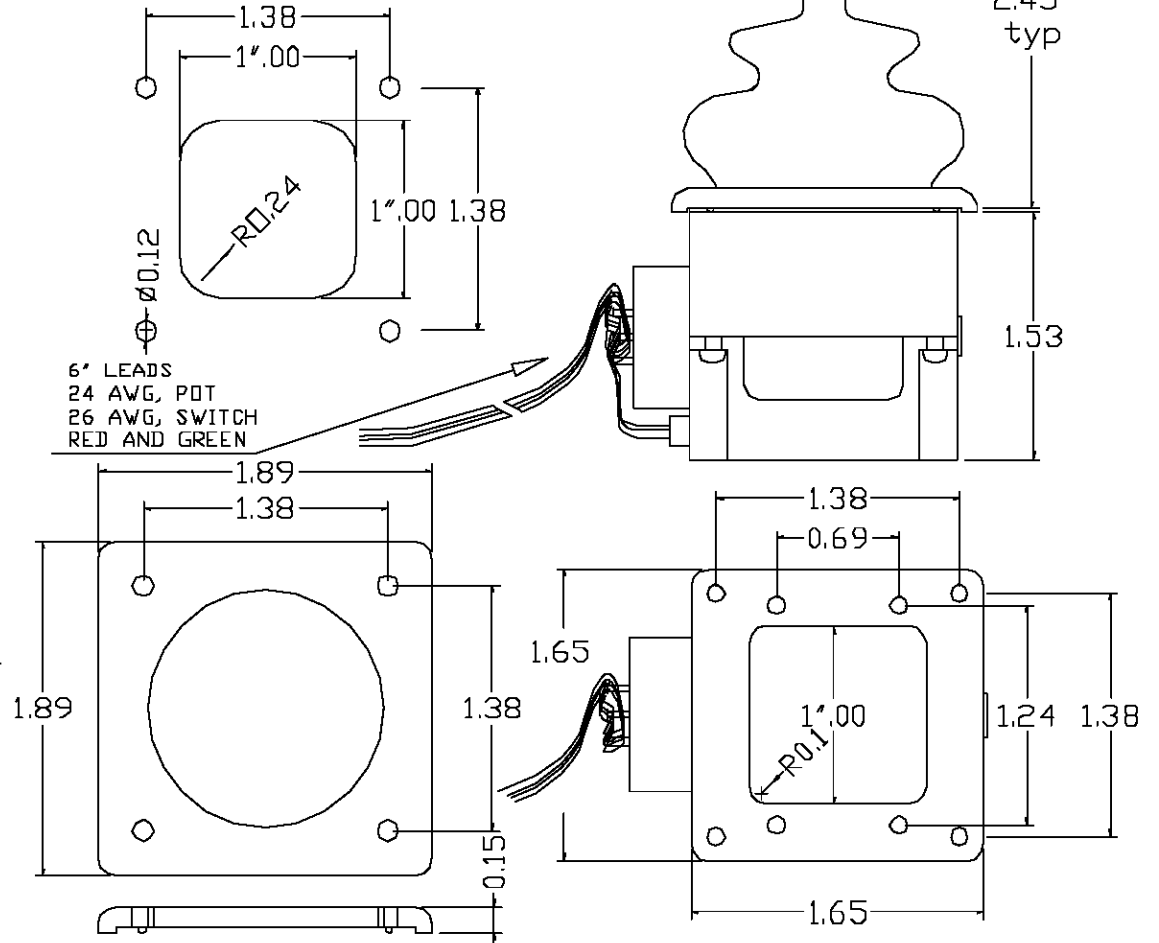
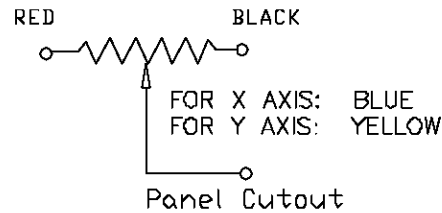
MECHANICAL CHARACTERISTICS.

BODY — — — — — GLASS RE-ENFORCED ABS  
 SHAFT MATERIAL — — — — — A303 STAINLESS STEEL  
 SHAFT DIAMETER — — — — — .200 TYPICAL  
 WASHER PLATE — — — — — BRASS OR ACETAL  
 GIMBAL PIVOT — — — — — ACETAL  
 CENTERING CONE — — — — — BRASS OR ACETAL  
 SPRING — — — — — STAINLESS STEEL  
 PIVOT PINS — — — — — HARDENED STEEL  
 LIMITER PLATE — — — — — GLASS RE-ENFORCED NYLON  
 BEZELS — — — — — GLASS RE-ENFORCED NYLON  
 KNOB — — — — — DURAPLAST  
 LEVER DEFLECTION — — — — — ±27.5°  
 ENVIRONMENTAL — — — — — IP 65 ABOVE PANEL  
 WEIGHT — — — — — 70g TYPICAL  
 SERVICE LIFE — — — — — 10 MILLION CYCLES TYPICAL  
 BOOT — — — — — VINYL

LEVER DIRECTION



SCHEMATIC



ETI SYSTEMS  
 CARLSBAD  
 CALIFORNIA

2251 LAS PALMAS DR.  
 CARLSBAD, CA 92009  
 PHONE: (760) 929-0749  
 FAX: (760) 929-0748  
 WWW.ETISYSTEMS.COM

TITLE RESISTIVE  
 JOYSTICK  
 WITH PUSH BUTTON

PART NO.  
 J4-00212