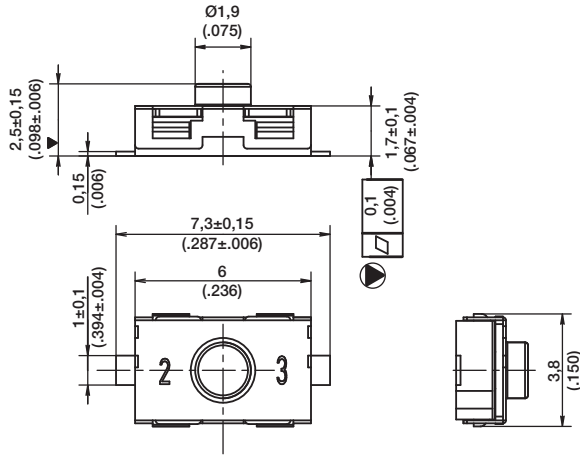


KSR Series Subminiature Tact Switch for SMT

KSR

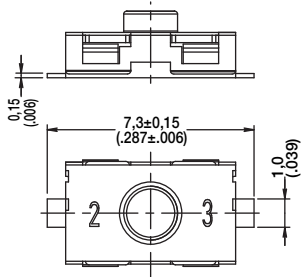


Tactile Switches

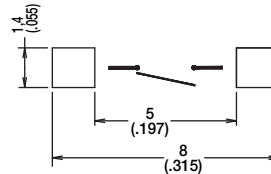
B

TERMINATION

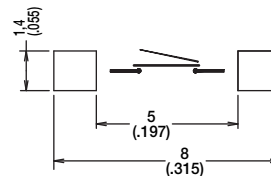
G GULLWING



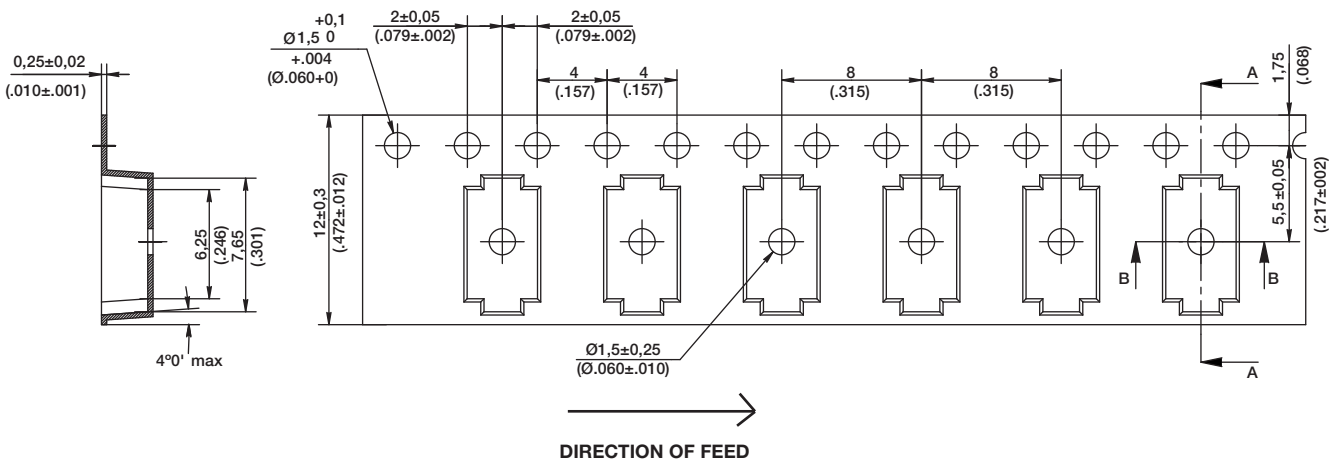
PAD LAYOUT NORMALLY OPEN



PAD LAYOUT NORMALLY CLOSED



TAPE & REEL



DIRECTION OF FEED



Dimensions shown in: mm (inch)
Specifications and dimensions subject to change

www.ittcannon.com