



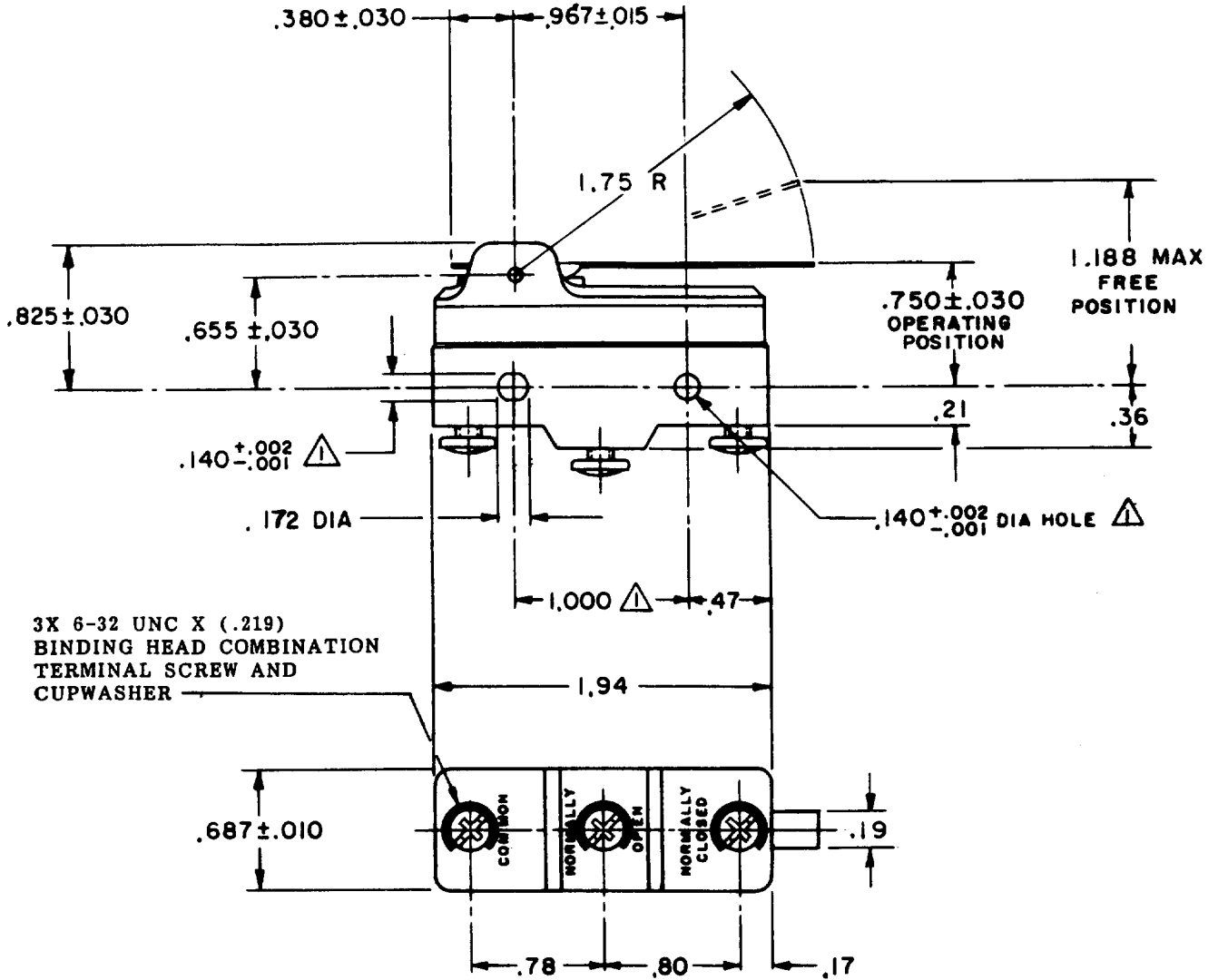
MICRO SWITCH
 FREEPORT ILLINOIS
 A DIVISION OF HONEYWELL
 FED. MFG. CODE 91929

SWITCH-BASIC

CATALOG LISTING
BA-2RV45-A2

ABQ8500

BA-2RV45-A2
 PAGE 1 OF 1
 DRAWING NUMBER
 8
 ISSUE
 REVISIONS
 A CO16804
 M B F
 28 JUNE 62
 B CO-3432
 K P
 22 APR 62
 C CO-73287-J
 J A L
 22 NOV 61
 D CO
 77590
 S A D
 9 JUN 59
 E CO93346
 D L T
 26 AUG 58
 F 0018387
 T S G
 18 JAN 06
 CHECK
 17 JULY 62
 DAW
 CHECK
 28 JUNE 62
 M B F
 FORMTEK
 FO-80378
 DRAWN



NOTE
 ▲ - MOUNTING HOLES WILL ACCEPT PINS OR SCREWS OF .139 MAX DIA ON $1.000 \pm .002$ CENTERS

THIS DRAWING COVERS A PROPRIETARY ITEM AND IS THE PROPERTY OF MICRO SWITCH, A DIVISION OF MINNEAPOLIS-HONEYWELL REGULATOR CO. THIS DRAWING IS NOT TO BE COPIED OR USED WITHOUT THE APPROVAL OF MICRO SWITCH.

CHARACTERISTICS	ELECTRICAL DATA	SCALE FULL
OPERATING FORCE ----- 4 OZ MAX	CONTACT ARRANGEMENT S P D T	DO NOT SCALE PRINT
RELEASE FORCE ----- 1/2 OZ MIN	L23 20A - 125, 250 OR 480 VAC 10A - 125 VAC "L" 1HP - 125 VAC, 2HP - 250 VAC 1/2A - 125 VDC, 1/4A - 250 VDC	UNLESS OTHERWISE SPECIFIED DIMENSIONS ARE IN INCHES TOLERANCES ARE:
PRETRAVEL ----- .438 MAX	L288 L308 L315	ONE PLACE (.0) ±.030 TWO PLACE (.00) ±.015 THREE PLACE (.000) ±.005 ANGLES ±
DIFFERENTIAL TRAVEL ----- .080 MAX	CE 20(3)A 250V ~ T85 5E4	WEIGHT
OVERTRAVEL ----- .047 MIN		