



MICRO SWITCH
 FREEPORT, ILLINOIS, U.S.A.
 A DIVISION OF HONEYWELL

FED. MFG. CODE 91929

ACTUATOR - SWITCH

CATALOG LISTING
JS-249

JS-249

M

DRAWING NUMBER

8

ISSUE

7

REPLACES

RELEASE NO.

CHECK

14SEP05

RJ

CHECK

20 JUN '66

CHECK

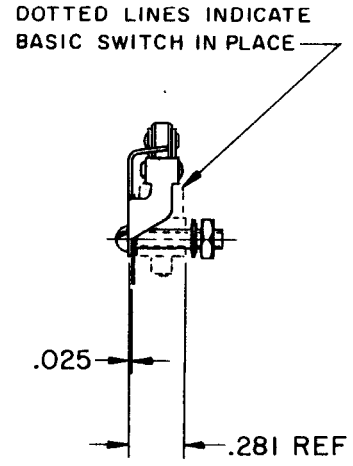
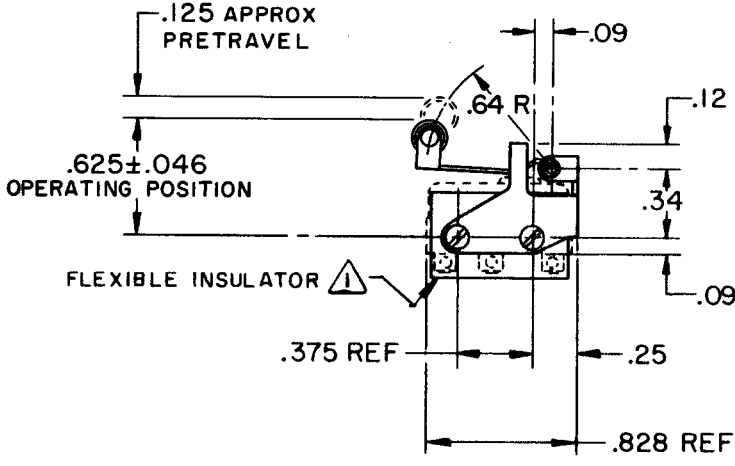
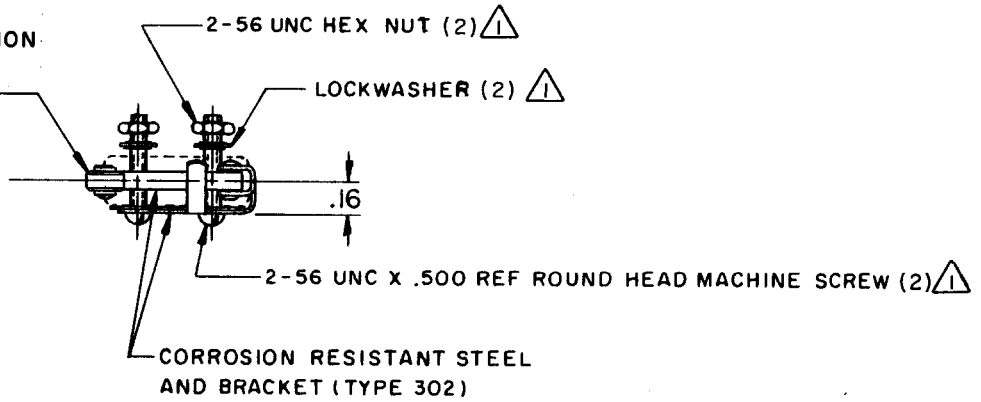
66

UNASSEMBLED

UNASSEMBLED

UNASSEMBLED

.19 DIA X .09 WIDE CORROSION RESISTANT STEEL ROLLER (TYPE 303)



NOTE - FURNISHED UNASSEMBLED

THIS DRAWING COVERS A PROPRIETARY ITEM AND IS THE PROPERTY OF MICRO SWITCH, A DIVISION OF HONEYWELL. THIS DRAWING IS NOT TO BE COPIED OR USED WITHOUT THE APPROVAL OF MICRO SWITCH.

CHARACTERISTICS WITH ISMI BASIC SWITCH INSTALLED	ELECTRICAL DATA	SCALE FULL
OPERATING FORCE--1.6 OZ (45 GMS) MAX	CONTACT ARRANGEMENT	DO NOT SCALE PRINT
RELEASE FORCE-----.21 OZ (6 GRAM) MIN		UNLESS OTHERWISE NOTED
DIFFERENTIAL TRAVEL-----.020 MAX		DIMENSIONS ARE IN INCHES
OVERTRAVEL-----.020 MIN		TOLERANCES ARE:
		ONE PLACE (.0) ±.030
		TWO PLACE (.00) ±.015
		THREE PLACE (.000) ±.005
		ANGLES ±
		WEIGHT

FO-50378

DRAWN

OMW

23 JUN

66