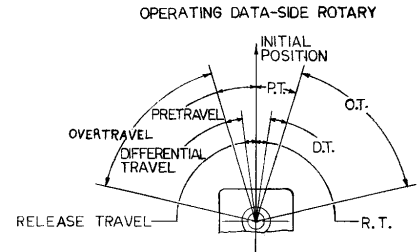
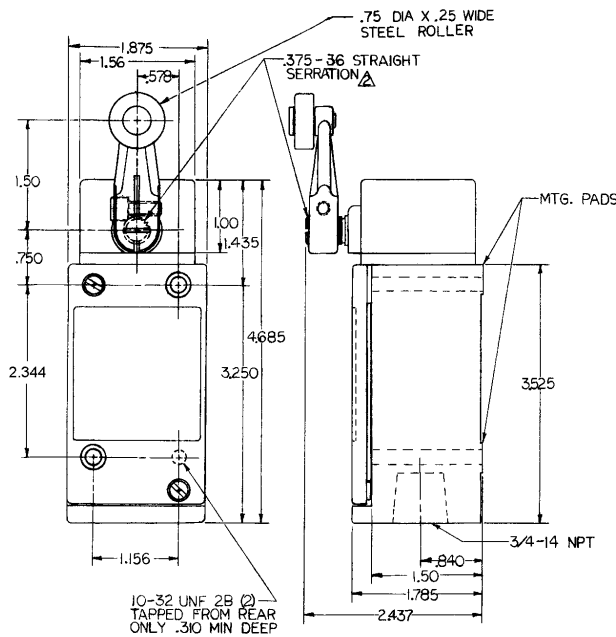
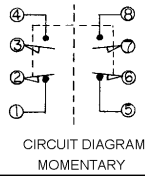


MICRO SWITCH
a Honeywell Division

CATALOG LISTING
LSQ051

FED. WFS. CODE 91929



ELECTRICAL RATING
20A - 120, 240, 480 OR
600 VAC; 1/2 HP-120 VAC,
1HP-240 VAC
PILOT DUTY RATING:
600 VAC MAX

10-32 UNF 2B (2)
TAPPED FROM REAR
ONLY .310 MIN DEEP

THIS DRAWING COVERS A PROPRIETARY ITEM AND IS THE PROPERTY OF MICRO SWITCH, A DIVISION OF HONEYWELL. THIS DRAWING IS NOT TO BE COPIED OR USED WITHOUT THE APPROVAL OF MICRO SWITCH		THIRD ANGLE PROJECTION
CHARACTERISTICS		SCALE NONE
ELECTRICAL DATA		DO NOT SCALE PRINT
CONTACT ARRANGEMENT		
DOUBLE POLE		
DC VOLTAGE	120	240
MAKE AND BREAK INDUCTIVE	1.10	1.50
RESISTIVE	1.50	0.75
UNLESS OTHERWISE SPECIFIED TOLERANCES ARE		
ONE PLACE	(.01) ± .030	
TWO PLACE	(.001) ± .015	
THREE PLACE	(.0001) ± .005	
ANGLES	±	
WEIGHT		

- NOTES
- 1 - SWITCH HEAD MOUNTS IN ANY OF FOUR POSITIONS
 - 2 - LEVER ADJUSTABLE IN 10° INCREMENTS
 - 3 - ZINC HOUSING FINISHED IN EPOXY PAINT
 - 4 - SWITCH WILL WITHSTAND 4000 VDC MINIMUM DIELECTRIC CHECK BETWEEN OPEN TERMINALS 3-4 AND 7-8 WITH LEVER IN FREE POSITION AND BETWEEN TERMINALS 1-2 AND 5-6 WITH LEVER IN OPERATED POSITION

RASTER
 DRAWN
 CS L 2 AUG 00
 CHECK
 S A V 2 AUG 00
 CHECK
 REVISIONS
 A 200843
 2 AUG 00
 CHECK
 ISSUE
 3
 M
 LSQ051
 PAGE 1 OF 1
 CATALOG LISTING
 LSQ051
 RELEASE NO. 200843
 REPLACES