

KT Series Right Angle Sealed Tact Switch for SMT



Features/Benefits

- High shear force with extended bracket
- Easy to pick & place with top plate tab
- Rubber or hard plastic actuator
- Press fit or snap fit caps
- IP 57
- RoHS compliant and compatible

Typical Applications

- Telecommunications
- Computer products
- Instrumentation
- Power supply

Specification

CONTACT ARRANGEMENT: SPST, N.O.
TERMINALS: Gullwing type for SMT

Electrical

CONTACT RATING: 1.0 VA max. @ 32 V AC or DC max.
ELECTRICAL & MECHANICAL LIFE: 100,000 make-and-break cycles at full load.
DIELECTRIC STRENGTH: 250 Vrms min. @ sea level.
CONTACT RESISTANCE: Below 50 mΩ typ. initial @ 2-4 V DC, 100 mA.
INSULATION RESISTANCE: 10⁹ Ω min.

Environmental

OPERATING TEMPERATURE: -40°C to 90°C

Process

SOLDERABILITY: Per MIL-STD-202F method 208D, or EIA RS-186E method 9 (1 hour steam aging).
DEGREE OF PROTECTION: IP57; protection against harmful dust deposits, full-scale voltage protection.

Packaging

Switches supplied in anti-static tape and reels per EIA 481-2. Tape and cover strip are conductive for use near statically sensitive components.

NOTE: Specifications listed above are for switches with standard options.
For information on specific and custom switches, consult Customer Service Center.

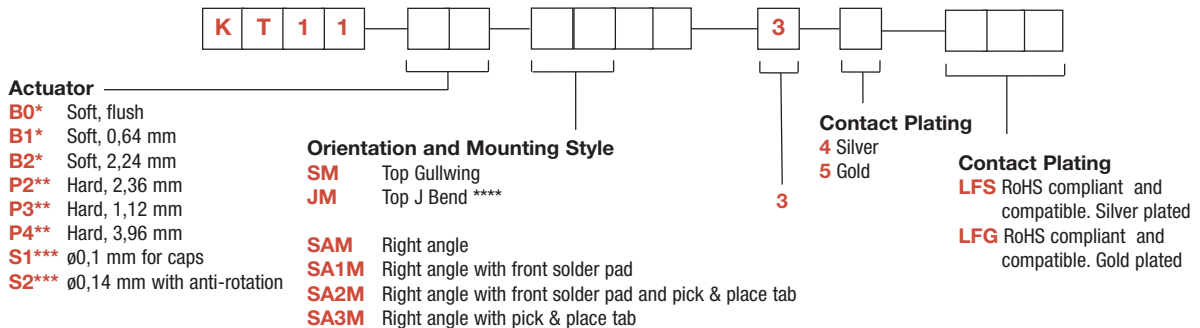
How To Order

Our easy build-a-switch concept allows you to mix and match options to create the switch you need. To order, select desired option from each category and place it in the appropriate box.

However, please note that all the combinations of these options are not feasible.

For any part number different from those listed above, please consult your local representative.

SWITCH



* B0, B1 & B2 available with A & A1 mounting bracket only.

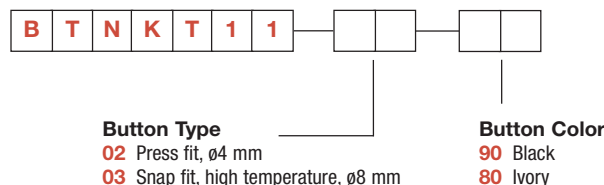
** P4 available with A1 & A2 mounting bracket only.

*** S1 & S2 available with A1 & A2 mounting bracket only.

**** JM available with B0, B1, B2, P2, P3, P4 without mounting bracket.

BUTTON

To order buttons in bulk

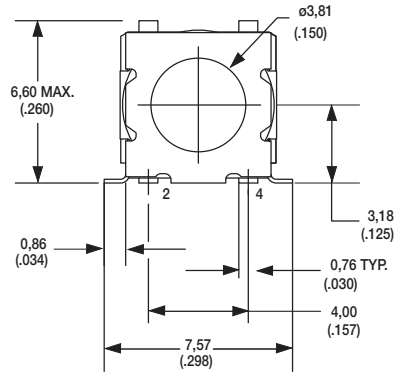
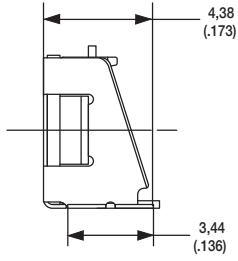


Dimensions are shown: Inch (mm)
Specifications and dimensions subject to change

KT Series Right Angle Sealed Tact Switch for SMT

SERIES 

KT11

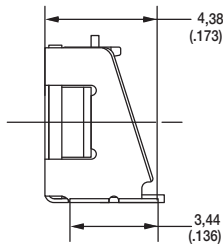


B

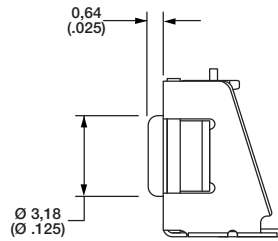
Tactile Switches

ACTUATOR 

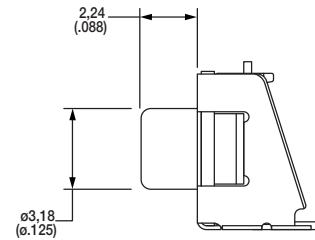
B0 SOFT, FLUSH*



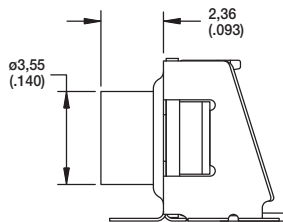
B1 SOFT, 0,64 mm*



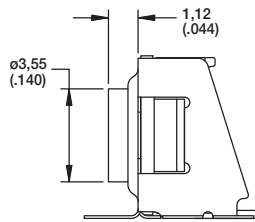
B2 SOFT, 2,24 mm*



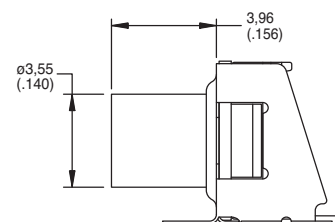
P2 HARD, 2,36 mm



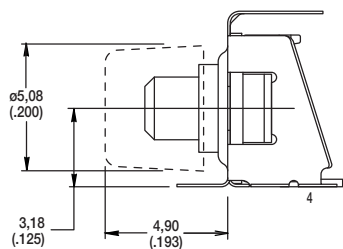
P3 HARD, 1,12 mm



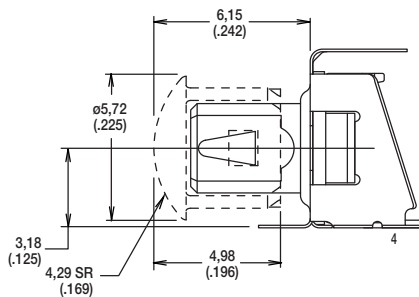
P4 HARD, 3,96 mm**



S1 Ø0,1 mm FOR PRESS FIT CAPS***



S2 Ø0,14 mm FOR SNAP FIT CAPS***



First Angle
Projection

Dimensions are shown: Inch (mm)
Specifications and dimensions subject to change



KT Series Right Angle Sealed Tact Switch

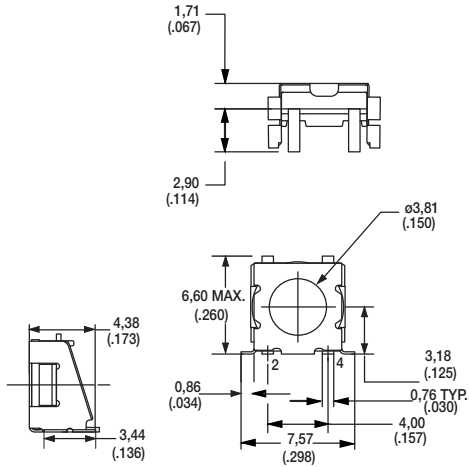
ORIENTATION & MOUNTING STYLE



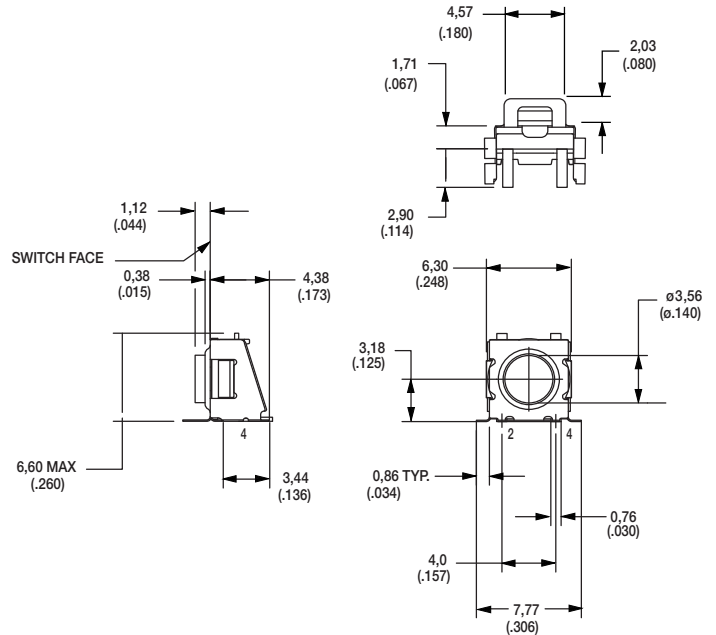
SM TOP GULLWING

JM TOP J BEND

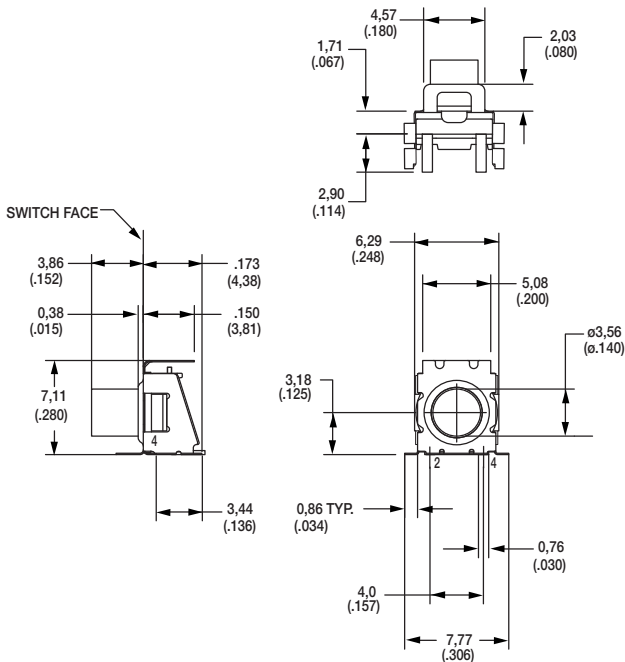
SAM RIGHT ANGLE



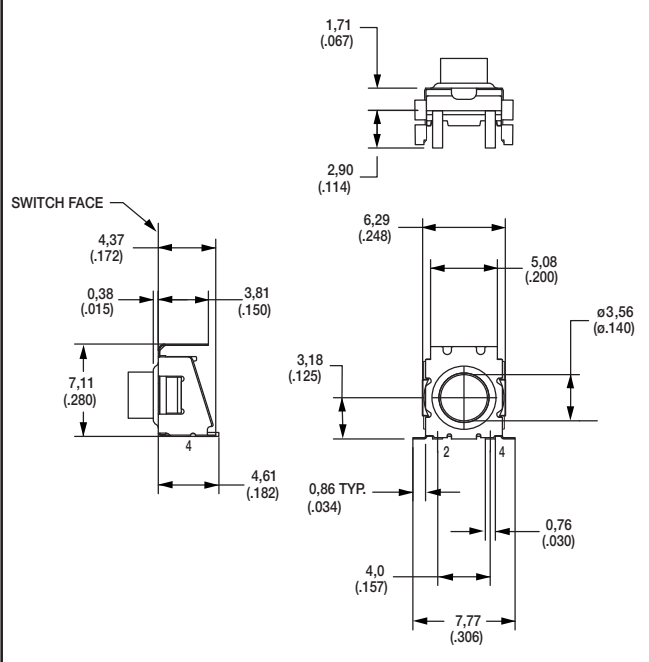
SA1M RIGHT ANGLE WITH FRONT SOLDER PAD



SA2M RIGHT ANGLE WITH FRONT SOLDER PAD AND PICK & PLACE TAB



SA3M RIGHT ANGLE WITH PICK & PLACE TAB



Dimensions are shown: Inch (mm)
Specifications and dimensions subject to change

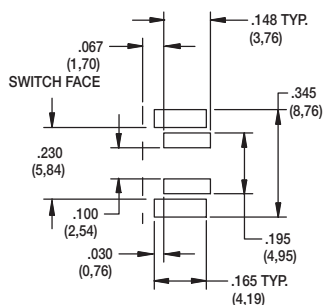


KT Series Right Angle Sealed Tact Switch

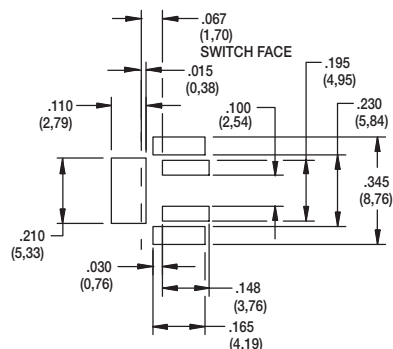
MOUNTING BRACKET



PAD LAYOUT
SAM & SA3M MOUNTING BRACKET



PAD LAYOUT
SA1M & SA2M MOUNTING BRACKET



B

Tactile Switches

CONTACT PLATING



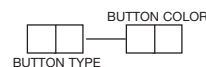
OPTION CODE	MATERIAL
4	SILVER
5	GOLD

BUTTON



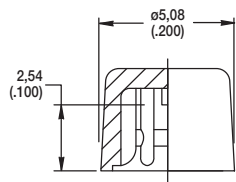
BUTTON

To order buttons in bulk

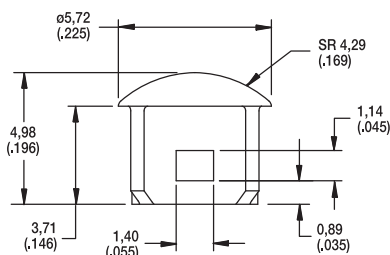


Button Type

02 PRESS FIT, Ø4 mm



03 SNAP FIT, HIGH TEMPERATURE, Ø8 mm



Button Color

OPTION CODE	BUTTON COLOR
90	BLACK
80	IVORY



First Angle
Projection

Dimensions are shown: Inch (mm)
Specifications and dimensions subject to change



www.ck-components.com