

MICRO SWITCH

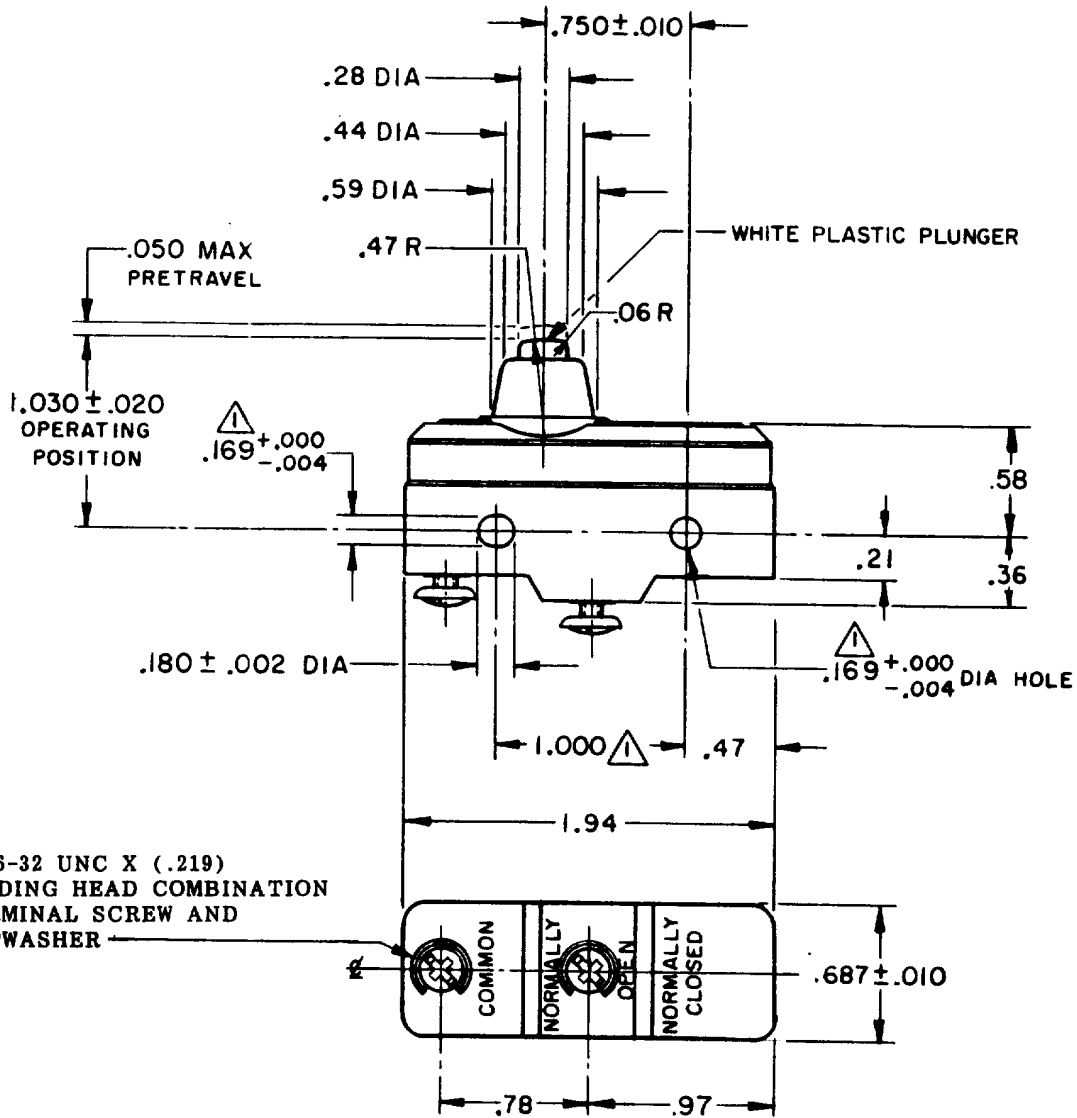
FREEPORT ILLINOIS, U.S.A
A DIVISION OF HONEYWELL

FED. MFG. CODE 91929

SWITCH-BASIC

CATALOG LISTING

YA-2CB16-A2



2X 6-32 UNC X (.219)
BINDING HEAD COMBINATION
TERMINAL SCREW AND
CUPWASHER

NOTE -
▲ MOUNTING HOLES WILL ACCEPT PINS OR SCREWS
OF .165 MAX DIA ON 1.000 ± .002 CENTERS

THIS DRAWING COVERS A PROPRIETARY ITEM AND IS THE PROPERTY OF MICRO SWITCH, A DIVISION OF HONEYWELL. THIS DRAWING IS NOT TO BE COPIED OR USED WITHOUT THE APPROVAL OF MICRO SWITCH.

CHARACTERISTICS

OPERATING FORCE ----- 14-22 OZ
RELEASE FORCE ----- 10 OZ MIN
DIFFERENTIAL TRAVEL --- .0020-.0075
OVERTRAVEL ----- .094 MIN

ELECTRICAL DATA

CONTACT ARRANGEMENT
S P N O

UNDERWRITERS' LAB. INC. LISTED RATING
15A-125, 250 OR 480 VAC; 10A-125 VAC "L"
-L15- 3/4HP-125 VAC; 1 1/2HP-250 VAC
1/2A-125 VDC; 1/4A-250 VDC



SCALE FULL

DO NOT SCALE PRINT
UNLESS OTHERWISE NOTED
DIMENSIONS ARE IN INCHES
TOLERANCES ARE
ONE PLACE (.0) ± .030
TWO PLACE (.00) ± .015
THREE PLACE (.000) ± .005
ANGLES ±
WEIGHT

YA-2CB16-A2

M

DRAWING NUMBER

X 2

ISSUE 3

RELEASE NO. PR-3452-T REPLACES

CHECK

REVISIONS

A	CO32630	RE R	26 NOV 73
B	CO-73287-J	J A L	22 NOV 83

CHECK

25 JUNE 73

CHECK

21 JUNE 73

DRAWN

FO-52848