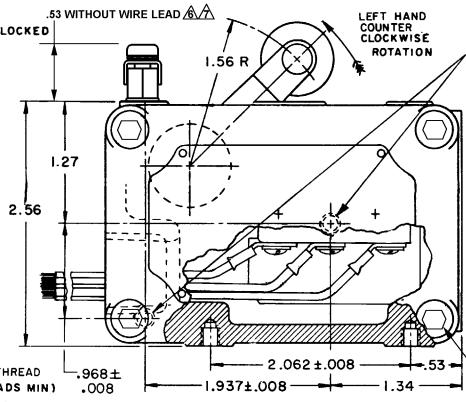
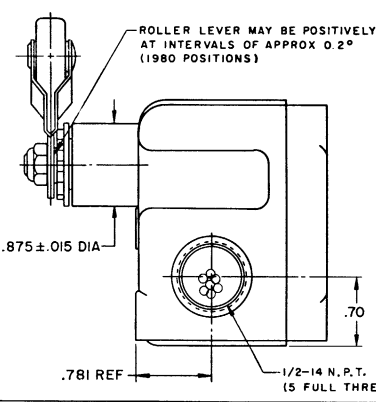
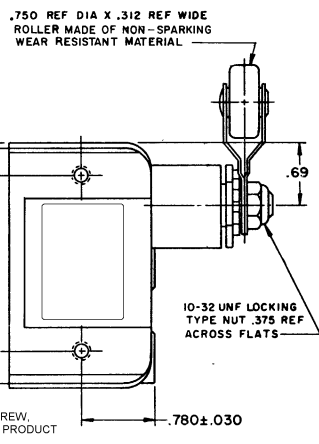
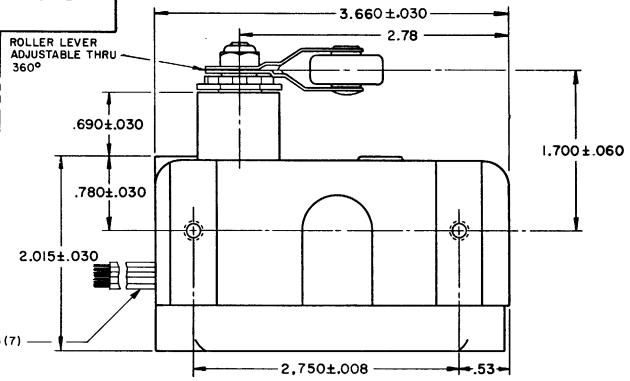
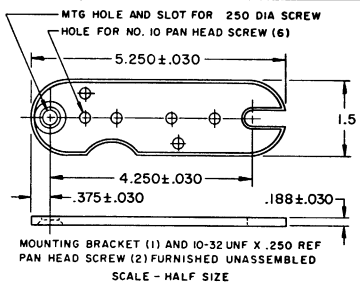


EXD-AR30-6
 DRAWING NUMBER
 M
 ISSUE
 X 10
 R J

REVISIONS
 A CO 38350
 9 NOV 85
 B CO60488
 1 NOV 86
 C CO61581
 23 APR 87
 D CO63239
 1 LB 22 MAR 88
 E CO73019
 30 SEP 92
 F CO74362
 1 SW
 10 FEB 93
 G CO77285
 19 APR 94
 H CO12700
 27 APR 05
 J CO017245
 28 NOV 05
 S L B 122 SEPT 78
 C E B 18 NOV 78
 C E B 18 NOV 78
 C E B 18 NOV 78

MICRO SWITCH
 FREEPORT ILLINOIS U.S.A.
 A DIVISION OF HONEYWELL
 FED. MFG. CODE 91929

CATALOG LISTING
EXD-AR30-6
SWITCH-ENCLOSED



THIS DRAWING COVERS A PROPRIETARY ITEM AND IS THE PROPERTY OF MICRO SWITCH, A DIVISION OF HONEYWELL. THIS DRAWING IS NOT TO BE COPIED OR USED WITHOUT THE APPROVAL OF MICRO SWITCH.

| CHARACTERISTICS | ELECTRICAL DATA |
|--|--------------------------------|
| OPERATING FORCE --- 2 3/4 LB MAX | CONTACT ARRANGEMENT D P D T |
| PRETRAVEL --- .219 MAX(8°) | 10A-125 OR 250 VAC |
| DIFFERENTIAL TRAVEL --- .109 MAX(4°) | 0.3A-125 VDC; 0.15A-250 VDC |
| OVERTRAVEL --- DO NOT OVERTRAVEL MORE THAN 25° | CODE L59 |
| BASIC SWITCH REPLACEMENT --- DT-2K711-A7 | |

| | |
|--------------|--------------------|
| SCALE FULL | DO NOT SCALE PRINT |
| TOLERANCES | |
| NO PLACES | ± .001 |
| ONE PLACE | ± .005 |
| TWO PLACES | ± .010 |
| THREE PLACES | ± .015 |
| FOUR PLACES | ± .020 |
| DESIGN UNITS | |
| SI METRIC | US CUSTOMARY |
| WEIGHT | |

- NOTES
- (8) MOUNTING SCREW HOLES, 10-32 UNF-2B THREADS X .219 REF DEEP
 - EXPLOSION PROOF - UNDERWRITERS' LAB. INC. LISTED FOR HAZARDOUS LOCATIONS NEMA 7, CLASS I, GROUPS B, C AND D, NEMA 9, CLASS II, GROUPS E, F AND G
 - COMMON LEADS - BLACK, NC LEADS - RED, NO LEADS - BLUE, GROUND LEAD - GREEN
 - EUROPEAN HAZARDOUS LOCATIONS DESIGNATION: EEx dIIB + H2 T6 CATEGORY II 2 G
 - SEAL RATING: NEMA 1
 - EXTERNAL GROUND SCREW MAY BE ASSEMBLED TO ANY UNUSED MOUNTING SCREW HOLE
 - ASSEMBLE PROVIDED SPLIT LOCKWASHER BETWEEN GROUND LUG AND HOUSING

M