

JE-13-B

M

DRAWING NUMBER

23

ISSUE

REPLACES

RELEASE NO. PR-14127

CHECK

REVISIONS

A	PR14127
	TSK
	21 AUG 85
B	CO
	61293
	WJM
	14 APR 87

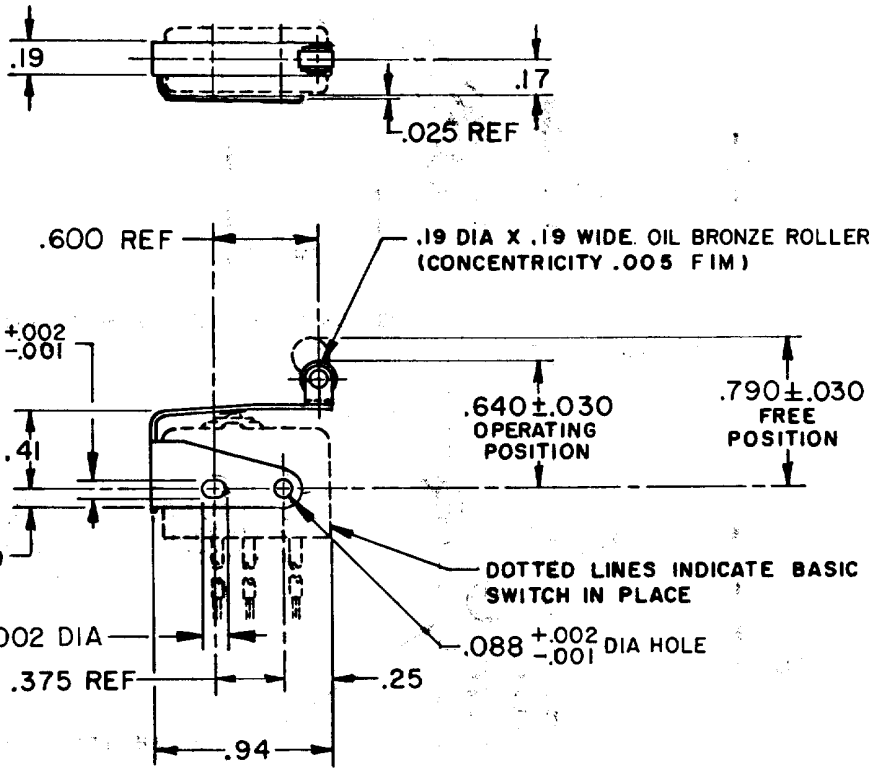
CHECK

22 AUG 85

21 AUG 85

DRAWN

TSK



NOTE
 1 UNIT FURNISHED BULK PACKED

THIS DRAWING COVERS A PROPRIETARY ITEM AND IS THE PROPERTY OF MICRO SWITCH, A DIVISION OF HONEYWELL. THIS DRAWING IS NOT TO BE COPIED OR USED WITHOUT THE APPROVAL OF MICRO SWITCH.

THIRD ANGLE PROJECTION

CHARACTERISTICS	ELECTRICAL DATA	SCALE FULL																															
		DO NOT SCALE PRINT																															
OPERATING FORCE ----- 12 OZ MAX	CONTACT ARRANGEMENT	TOLERANCES APPLY TO DESIGN UNITS. CONVERSIONS ARE ONLY FOR REFERENCE. UNLESS NOTED, TOLERANCES ARE ±																															
RELEASE FORCE ----- 2 OZ MIN		<table border="1"> <tr> <th></th> <th>DIAM.</th> <th>TOL.</th> <th>DIAM.</th> <th>TOL.</th> </tr> <tr> <td></td> <td>mm</td> <td>mm/in</td> <td>in</td> <td>mm/in</td> </tr> <tr> <td>NO PLACES</td> <td>X</td> <td>0.04</td> <td>X X</td> <td>0.0100</td> </tr> <tr> <td>ONE PLACE</td> <td>X, X</td> <td>0.07, 0.08</td> <td>X, X X</td> <td>0.001, 0.015</td> </tr> <tr> <td>TWO PLACES</td> <td>X, XX</td> <td>0.15, .005</td> <td>X, X X X</td> <td>0.13, .005</td> </tr> <tr> <td>THREE PLACES</td> <td>X, XXX</td> <td></td> <td>X, X X X X</td> <td></td> </tr> </table>		DIAM.	TOL.	DIAM.	TOL.		mm	mm/in	in	mm/in	NO PLACES	X	0.04	X X	0.0100	ONE PLACE	X, X	0.07, 0.08	X, X X	0.001, 0.015	TWO PLACES	X, XX	0.15, .005	X, X X X	0.13, .005	THREE PLACES	X, XXX		X, X X X X		
	DIAM.	TOL.	DIAM.	TOL.																													
	mm	mm/in	in	mm/in																													
NO PLACES	X	0.04	X X	0.0100																													
ONE PLACE	X, X	0.07, 0.08	X, X X	0.001, 0.015																													
TWO PLACES	X, XX	0.15, .005	X, X X X	0.13, .005																													
THREE PLACES	X, XXX		X, X X X X																														
DIFFERENTIAL TRAVEL ----- .025 MAX		SI METRIC <input type="checkbox"/>	US CUSTOMARY <input checked="" type="checkbox"/>																														
OVERTRAVEL ----- .015 MIN		DESIGN UNITS <input type="checkbox"/>	WEIGHT																														

OVERTRAVEL ----- .015 MIN

TWO PLACE (.00) ±.015
 THREE PLACE (.000) ±.008
 ANGLES ±

WEIGHT