

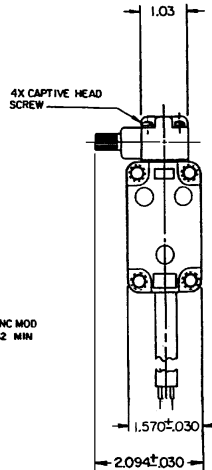
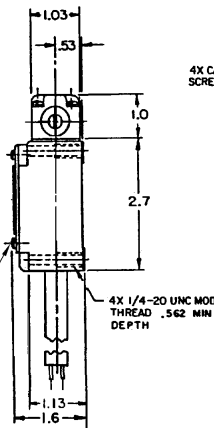
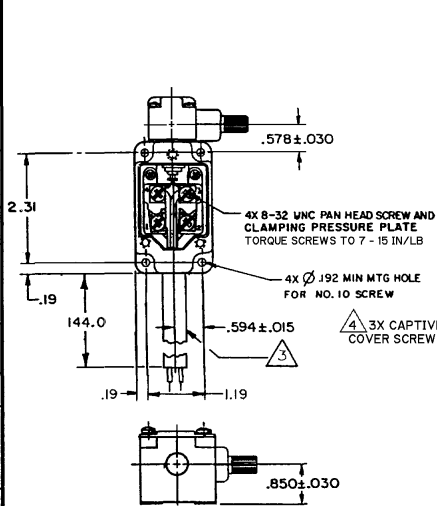
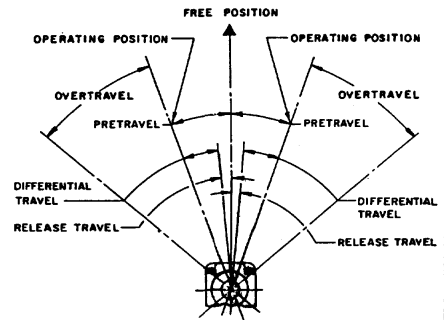
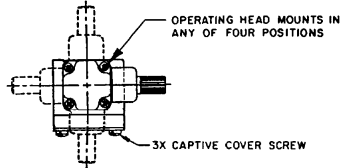
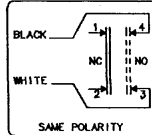
FORMTEK
DRAWING NUMBER
M ILS2-C12
PAGE 1 OF 1
ISSUE 1
REVISED 1
CHECKED 1
RELEASE NO. PR-20116

MICRO SWITCH
a Honeywell Division

SWITCH-ENCLOSED

CATALOG LISTING
ILS2-C12

CIRCUIT DIAGRAM



NOTES

- 1 - SWITCH IS ASSEMBLED FOR ACTUATION IN BOTH DIRECTIONS BUT MAY BE ADJUSTED TO ACTUATE IN THE CLOCKWISE DIRECTION ONLY OR THE COUNTERCLOCKWISE DIRECTION ONLY
- 2 - TO CONVERT SWITCH FOR ACTUATION IN EITHER THE CLOCKWISE OR COUNTERCLOCKWISE DIRECTION ONLY, REMOVE ACTUATOR HEAD AND ROTATE THE NOTCHED PLUNGER 90° TO THE RIGHT FOR CLOCKWISE ACTUATION OR 90° TO THE LEFT FOR COUNTERCLOCKWISE ACTUATION

SWITCH TO BE PROVIDED WITH 12 FT SEALED TYPE S O CABLE.
TIGHTEN COVER SCREWS TO 5 IN/LB MIN TORQUE

THIS DRAWING COVERS A PROPRIETARY ITEM AND IS THE PROPERTY OF MICRO SWITCH, A DIVISION OF HONEYWELL. THIS DRAWING IS NOT TO BE COPIED OR USED WITHOUT THE APPROVAL OF MICRO SWITCH

THIRD ANGLE PROJECTION

CHARACTERISTICS	ELECTRICAL DATA
OPERATING TORQUE --- 4 1/2 IN LB MAX	CONTACT ARRANGEMENT (SEE CIRCUIT DIAGRAM)
FULL OVERTRAVEL TORQUE --- 6 IN LB MAX	
RELEASE TORQUE --- 3/4 IN LB MAX	
PRETRAVEL --- 20° MAX	10 A-120, 240, OR 480 VAC 1/3HP-120 VAC
DIFFERENTIAL TRAVEL --- 12° MAX	3/4HP-240 VAC; 0.9 A-115 VDC; 0.4 A-230 VDC
OVERTRAVEL --- 30° MIN	0.1 A-550 VDC
RELEASE TRAVEL --- 5° MIN	PILOT DUTY: 600 VAC MAX
SWITCH-BASIC REPLACEMENT --- 2 MIN	

SCALE	DO NOT SCALE PRINT
1/2 : 1	
UNLESS OTHERWISE SPECIFIED TOLERANCES ARE	
ONE PLACE	1.01 ± .030
TWO PLACE	1.001 ± .015
THREE PLACE	1.0001 ± .005
ANGLES	±
WEIGHT	

ANSI Y14.5M-1982 APPLIES

FORMTEK

REVISIONS
A 0275483
B 057
C 028326
D 0284204
E 028597
F 028976
G 029199
CHECK 5 AV 12 JUN 92
DRAWN L J F 12 JUN 92