

**SERIES 34A**  
Miniature Toggle Switches

**FEATURES**

- Save Space and Weight
- SPDT, DPDT, 3PDT, and 4PDT Circuitry
- Choice of Actuators, Bushings and Terminations
- UL Recognized

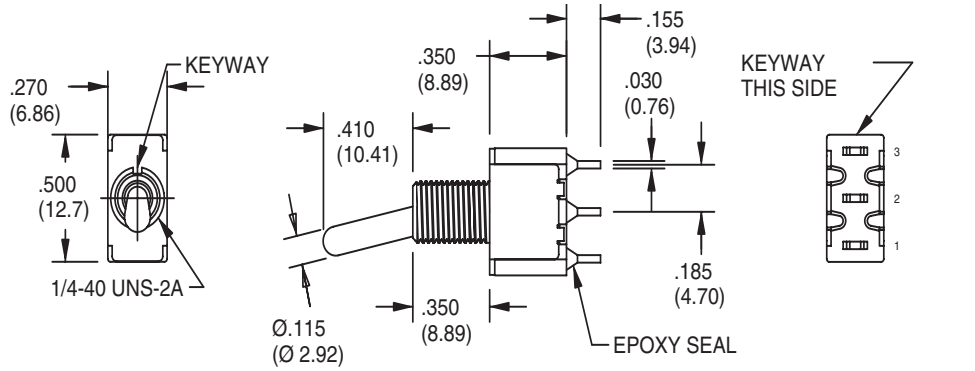
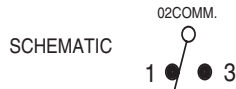


**MODELS** In inches (and millimeters)

**SPDT**

MODEL NO.	SWITCH POSITION		
SP1	ON	NONE	ON
SP2	ON	NONE (ON)	
SP3	ON	OFF	ON
SP4	(ON)	OFF	(ON)
SP5	ON	OFF (ON)	
TERM. COMM.	2-3	OPEN	2-1

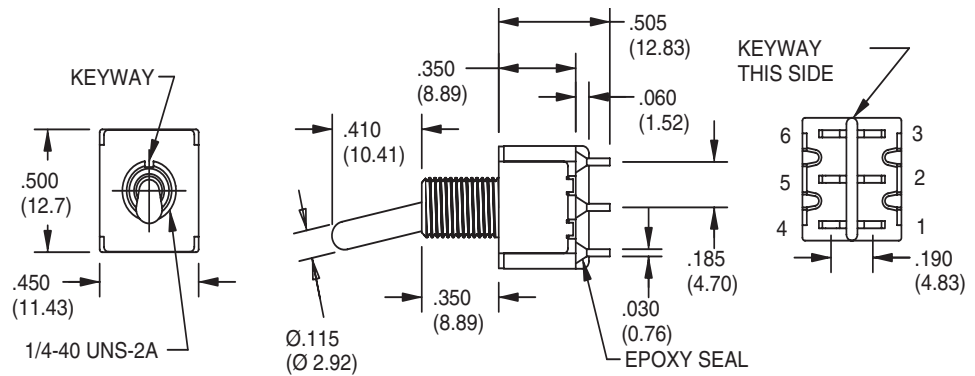
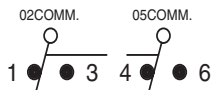
( )=MOMENTARY



**DPDT**

MODEL NO.	SWITCH POSITION		
DP1	ON	NONE	ON
DP2	ON	NONE (ON)	
DP3	ON	OFF	ON
DP4	(ON)	OFF	(ON)
DP5	ON	OFF (ON)	
TERM. COMM.	2-3, 5-6	OPEN	2-1, 5-4

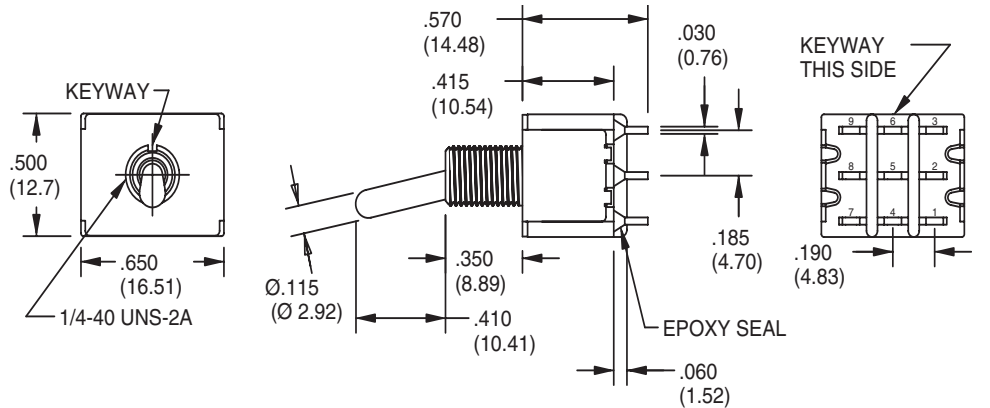
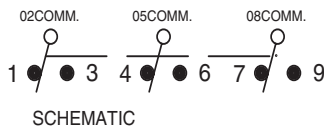
( )=MOMENTARY



**3PDT**

MODEL NO.	SWITCH POSITION		
3P1	ON	NONE	ON
3P2	ON	NONE (ON)	
3P3	ON	OFF	ON
3P4	(ON)	OFF	(ON)
3P5	ON	OFF (ON)	
TERM. COMM.	2-3,5-6, 8-9	OPEN	2-1,5-4, 8-7

( )=MOMENTARY



Toggle Switches

**MODELS** In inches (and millimeters)

**4PDT**

MODEL NO.	SWITCH POSITION		
4P1	ON	NONE	ON
4P2	ON	NONE	(ON)
4P3	ON	OFF	ON
4P4	(ON)	OFF	(ON)
4P5	ON	OFF	(ON)
TERM. COMM.	2-3,5-6 8-9,11-12	OPEN	2-1,5-4 8-7,11-10

( )=MOMENTARY

SCALE:1.5:1

02COMM. 05COMM. 08COMM. 011COMM.

1 3 4 6 7 9 10 12

SCHEMATIC

**ACTUATOR OPTIONS** In inches (and millimeters)

<p><b>1</b> Std</p>	<p><b>2</b></p>	<p><b>3</b></p>	<p><b>4</b></p>	<p><b>5</b></p>
<p><b>6</b></p> <p>Use with Bushing Options T1, T2, T5 and T6 only.</p>	<p><b>7</b></p> <p>Use T7 Bushing Option only.</p>	<p><b>8</b></p> <p>Use T7 Bushing Option only.</p>	<p><b>9</b> Nylon Black</p>	<p><b>L</b> THD. (STD.) <b>N</b> NON-THD</p>

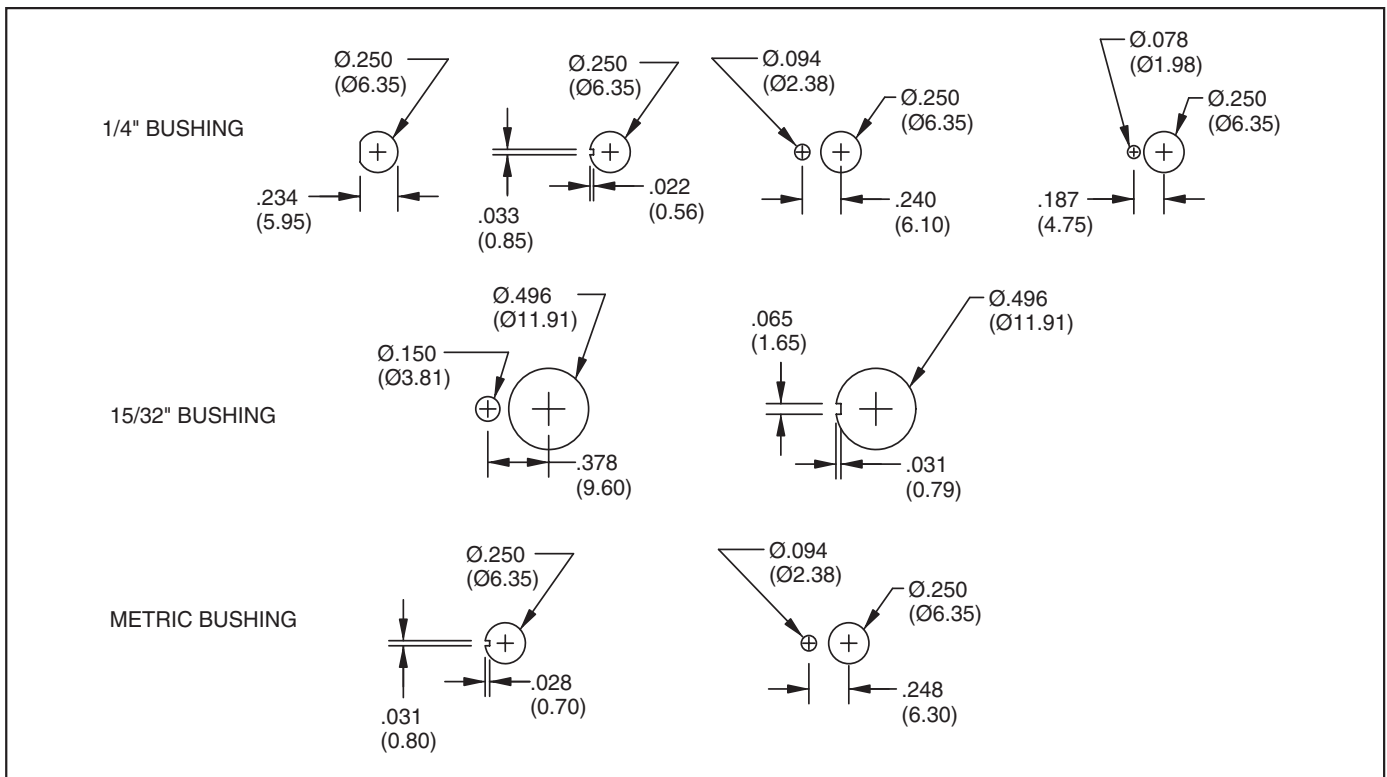
Actuators 1-5 shown with standard B1 bushing. Add .070 (1.78) for B3, subtract .020 (0.51) for B6 bushing.

**BUSHING OPTIONS** In inches (and millimeters)

<p><b>B1</b> Thd (Std) <b>B2</b> Non-Thd</p>	<p><b>B3</b> Thd <b>B4</b> Non-Thd</p>	<p><b>B5</b> High Torque</p>	<p><b>B6</b> High Torque</p>	
<p><b>B7</b> Long</p>	<p><b>B8</b> Metric</p>	<p><b>B9</b> Splash-Proof</p>		
<p><b>T1</b></p>	<p><b>T2</b></p>	<p><b>T5</b></p>	<p><b>T6</b></p>	<p><b>T7</b></p>

Toggle Switches

**PANEL MOUNTING** In inches (and millimeters)

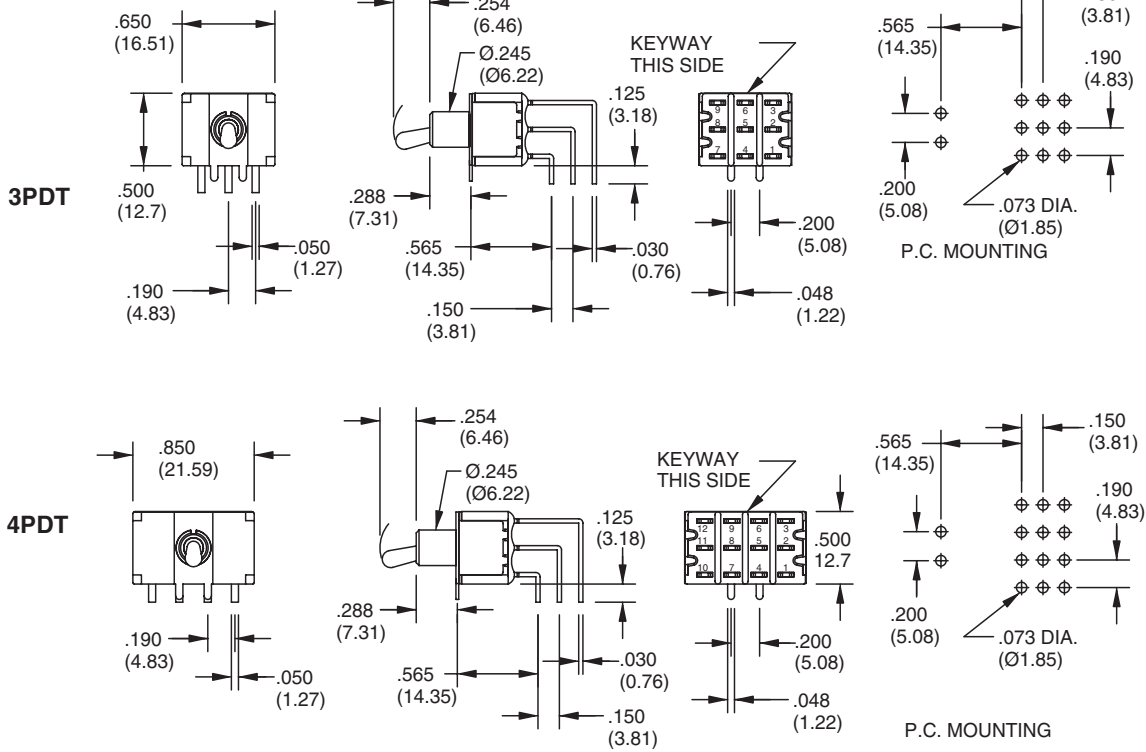


**TERMINATION OPTIONS** In inches (and millimeters)

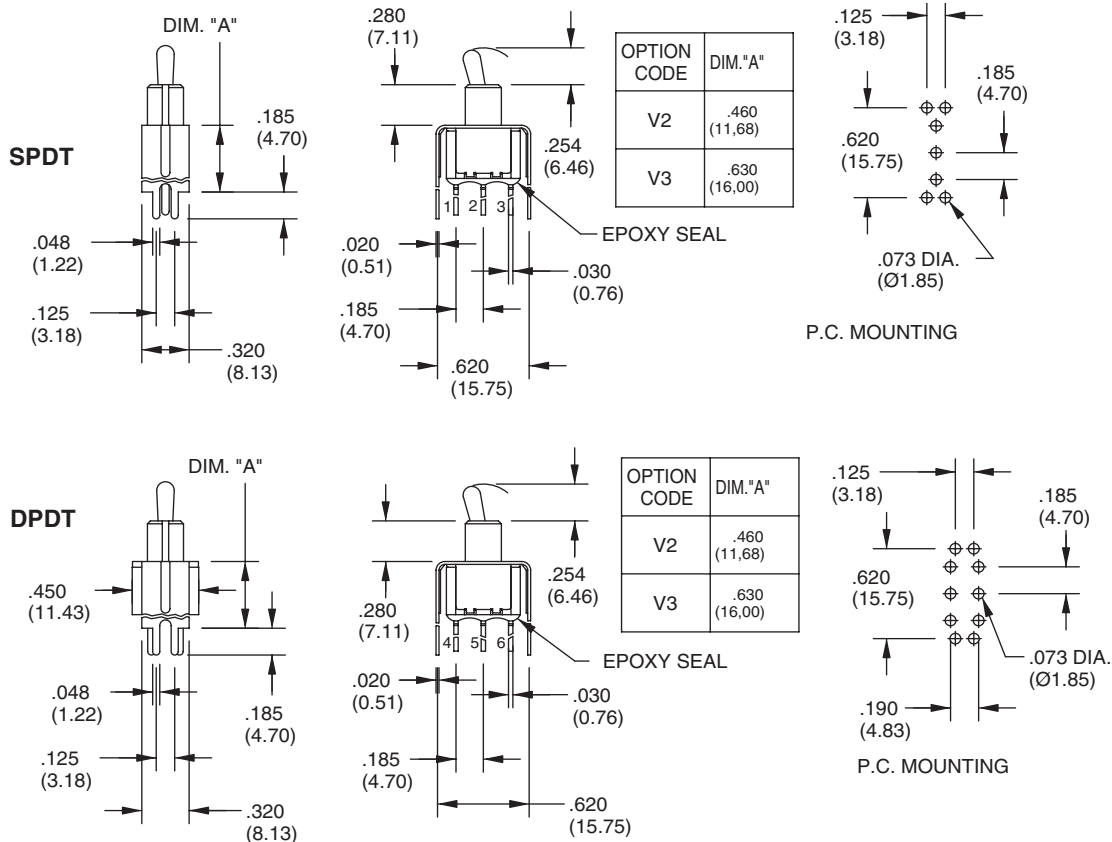
<p><b>M1 Solder Lug (Std)</b></p>	<p><b>M2 P.C. Mount</b></p>	<p><b>M3 P.C. Mount, Quick Connect</b></p>	<p><b>WX WIRE WRAP</b></p> <table border="1"> <thead> <tr> <th>OPTION CODE</th> <th>DIM. "A"</th> </tr> </thead> <tbody> <tr> <td>W1</td> <td>.750(19.05)</td> </tr> <tr> <td>W2</td> <td>.964(24.48)</td> </tr> <tr> <td>W3</td> <td>.425(10.80)</td> </tr> <tr> <td>W4</td> <td>1.062(26.97)</td> </tr> </tbody> </table>	OPTION CODE	DIM. "A"	W1	.750(19.05)	W2	.964(24.48)	W3	.425(10.80)	W4	1.062(26.97)
OPTION CODE	DIM. "A"												
W1	.750(19.05)												
W2	.964(24.48)												
W3	.425(10.80)												
W4	1.062(26.97)												
<p><b>M6 Right Angle P.C. Mount, Horizontal Actuation</b></p>													
<p><b>M7 Right Angle P.C. Mount, Vertical Actuation</b></p>													

**TERMINATION OPTIONS** In inches (and millimeters)

**M7** Right Angle P.C. Mount, Vertical Actuation



**V2-V3** Vertical Bracket P.C. Mount



Toggle Switches

**SPECIFICATIONS**

**RATINGS**

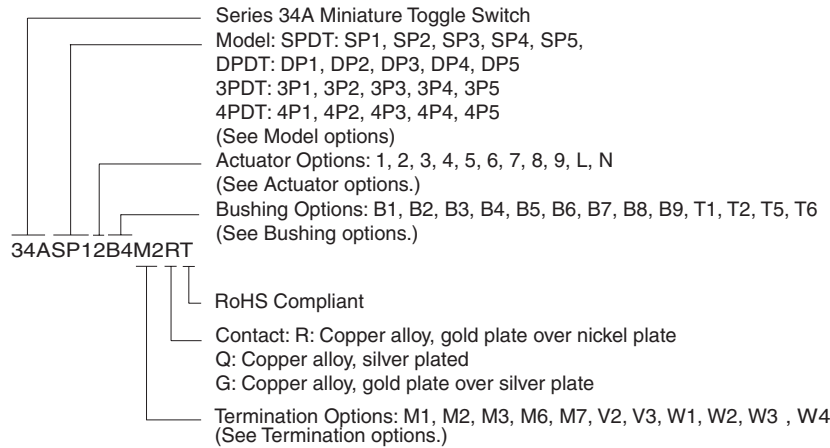
Contact Rating: Q option - 5A with resistive load @ 125VAC or 28 VDC; 2A with resistive load @ 250 VAC. R option-0.4 VA max @ 20 Vmax (AC or DC)  
 Electrical Life: 40,000 make-and-break cycles at full load

Contact Resistance: 10 milliohms max. initial @ 2-4 VDC, 100 mA for both gold & silver contacts  
 Insulation Resistance: 1,000 megaohms minimum  
 Dielectric Strength: 1,000 V RMS @ sea level  
 Operating Temperature: -30°C to 85°C  
 UL Recognition: File number is E35289

**MATERIALS**

Case: Diallyl phthalate (DAP) (UL94V-0)  
 Toggle Handle: Brass, chrome-plated  
 Bushing: Brass, nickle-plated  
 Housing: Stainless steel

**ORDERING INFORMATION**



Available from your local Grayhill Component Distributor. For prices and discounts, contact a local Sales Office, an authorized local Distributor or Grayhill.

**HARDWARE** In inches (and millimeters)

