

CATALOG LISTING
2TP8-50
 PAGE 1 OF 1
 ISSUE **M**
 6
 REVISIONS
 A 02/74 RB
 B 05/77 RB
 C 07/79 RB
 D 09/44 RB
 E 20/74 RB
 RASTER
 FO-22854-C
 DRAWN
 J.A.P. 18 APR 83
 CHECK
 D.L.W. 20 APR 83
 RELEASE NO. PR-12109 REPLACES

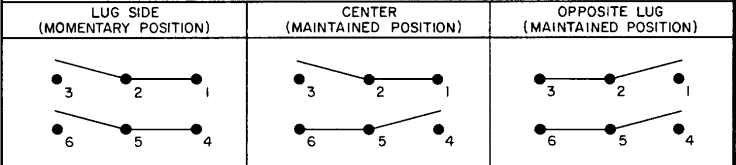
MICRO SWITCH
 FREEPORT ILLINOIS U.S.A.
 A DIVISION OF HONEYWELL
 FED MFG CODE 8188

**SWITCH-TOGGLE
 FLUSH-KEY**

CATALOG LISTING
2TP8-50

THIS DRAWING COVERS A PROPRIETARY ITEM AND IS THE PROPERTY OF MICRO SWITCH, A DIVISION OF HONEYWELL. THIS DRAWING IS NOT TO BE COPIED OR USED WITHOUT THE APPROVAL OF MICRO SWITCH.

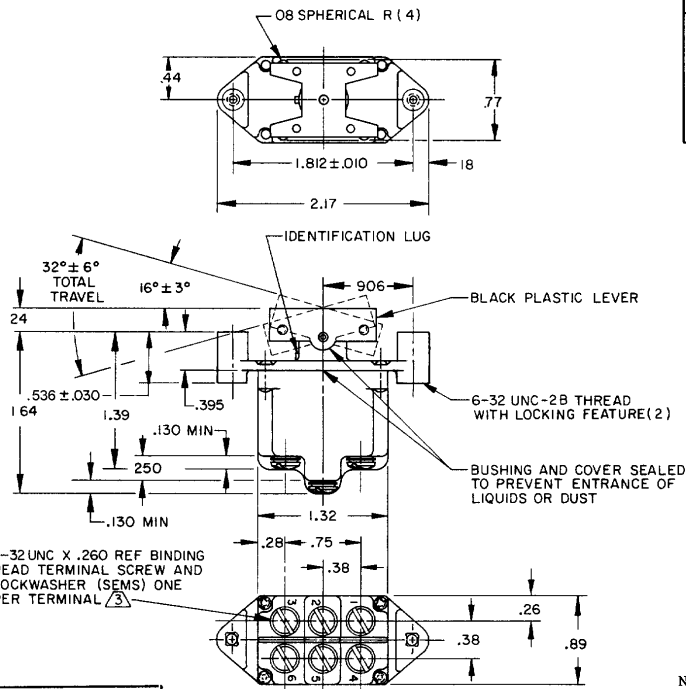
CIRCUIT DIAGRAM



ELECTRICAL DATA

10A-125, 250, 277 VAC
 1/4HP-125VAC, 1/2HP-250, 277VAC
 3A-125VAC "L" CODE 1.192

UL CE



NOTES
 1 - THESE SWITCHES WILL WITHSTAND TEMPERATURE OF 160°F
 2 - MICRO SWITCH CATALOG LISTING MARKED ON SIDE OF SWITCH
 ⚠ SCREWS FURNISHED UNASSEMBLED

THIRD ANGLE PROJECTION

SCALE FULL

DO NOT SCALE PRINT

TOLERANCES
 APPLY TO DIMENSIONS UNLESS OTHERWISE SPECIFIED
 REFERENCE UNLESS NOTED TOLERANCES ARE:

NO.	PLACES	INCHES	MILLIMETERS
1	1	± .010	± .25
2	2	± .005	± .13
3	3	± .002	± .05

DESIGN UNITS: METRIC U.S. CUSTOMARY

RAW MATERIAL - COMMERCIAL STANDARDS
 MICRO SWITCH STANDARDS APPLY
 DIMENSIONS ARE TO BE MET BEFORE PROTECTIVE COATINGS ARE APPLIED

WEIGHT .14 LB EST