

Codix 540, totalizer

- High count speed, numerous programming options
- Input pulse shape variable (Schmitt Trigger characteristics)
- Display range 0 to 999,999 with leading zero blanking
- Connection with screw terminal

Robust housing

Large, bright display, 14mm high

NPN or PNP inputs, max. 60 kHz



Wide power supply range

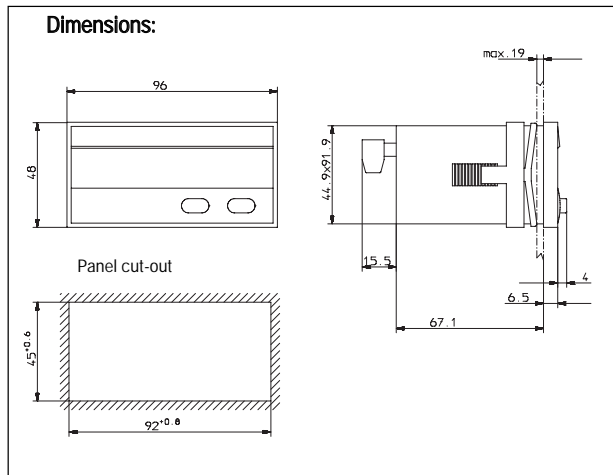
Big keys for use when wearing gloves

Technical data

| | |
|---|--|
| Supply voltage (U_B): | 10 ... 30 V DC, with reverse polarity protection |
| Current consumption: | 90 ... 260 V AC |
| Display: | max. 50 mA, 6 VA |
| Data backup: | 6 digit red 7 segment LED display; 14 mm high |
| Housing: | EEPROM |
| Polarity of Inputs: | Dimensions 96 x 48 mm according to DIN 43 700; RAL 7021, grey |
| Input resistance: | programmable, npn or pnp for all inputs |
| Counting frequency*: | appr. 5k Ω |
| Reset time: | max. 60 kHz, can be damped to 30 Hz, depending on operating mode |
| Input switching level (standard version): | 5 ms |
| | DC-version: |
| | Low: 0 ... 0.2 x U_B [V DC] |
| | High: 0.6 x U_B ... 30 V DC |

| | |
|--------------------------------------|---|
| AC-version | |
| Input switching level (5 V version): | Low 0 ... 4 V DC High 12 ... 30 V DC |
| Voltage output for sensors | Low 0 ... 2 V DC High 4 ... 30 V DC |
| Ambient temperature: | 24 V DC \pm 15 %/100 mA for AC-versions |
| Storage temperature: | -20 ... +65 °C, non-condensing |
| EMC: | -25 ... +70 °C |
| Immunity to interference: | according to EC EMC directive 89/36/EWG |
| Emitted interference: | EN 61000-6-4/EN 55011 class B |
| Protection: | EN 61000-6-2 |
| Weight: | IP65 (front) |
| | appr. 150 g |

*for further specifications please refer to the manual

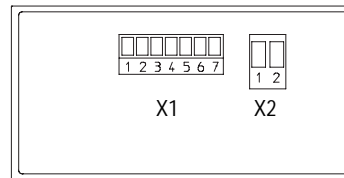


Order code:
6.540.012.XX0

Input switching level
0 = Standard level
A = 5 V level

Voltage supply
0 = 90 ... 260 V AC
3 = 10 ... 30 V DC

Connection:



Connection X2

| Pin | AC-Version | DC-Version |
|-----|-----------------|----------------|
| 1 | 90 ... 260 V AC | 0 V DC (GND) |
| 2 | 90 ... 260 V AC | 10 ... 30 V DC |

Connection X1

| Pin | AC-Version | DC-Version |
|-----|------------|------------|
| 1 | n.c. | |
| 2 | n.c. | |
| 3 | Reset | |
| 4 | n.c. | |
| 5 | INP | |
| 6 | GND out | n.c. |
| 7 | +24 Vout | n.c. |

Scope of delivery:

Digital display
Mounting clip
Seal

Multilingual operating instructions