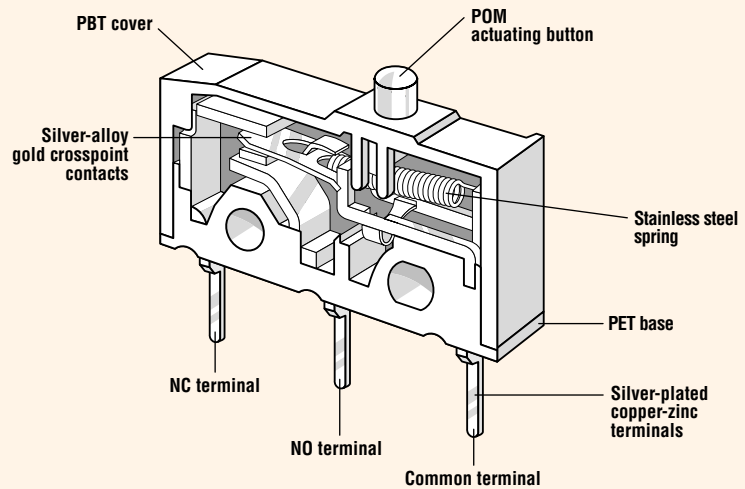


# SUBMINIATURE DB Series

## Features

- High-precision switch with high repeat accuracy
- Models available for operating temperatures up to 120°C
- Rated for currents up to 10 amp at 250VAC
- Range of auxiliary actuators available (can also be retrofitted); two mounting positions
- Variety of contact materials available to suit your application
- Mechanical life: up to  $15 \times 10^6$  operations
- Wide variety of terminal types available
- Numerous approvals



## Electrical Ratings

| Switch Series | EN61058 Rating  | UL1054 Rating                    | Electrical Life at Rated Load     |                                   |
|---------------|-----------------|----------------------------------|-----------------------------------|-----------------------------------|
|               |                 |                                  | According to EN (Min. Operations) | According to UL (Min. Operations) |
| DB1           | 6A, 250V~       | 5A, 125/250VAC                   | 10,000                            | 6,000                             |
| DB2           | 10(1.5)A, 250V~ | 10.1A, 125/250VAC; 1/4HP, 125VAC | 10,000                            | 6,000                             |
| DB3           | 0.1A, 250V~     | 0.1A, 125/250VAC                 | 50,000                            | 6,000                             |
| DB5*          | 1A, 250V~       | 1A, 125/250VAC                   | 50,000                            | 6,000                             |
| DB6*          | 6A, 250V~       | 5A, 125/250VAC                   | 50,000                            | 6,000                             |
| DB7*          | 10(1.5A), 400V~ | 10.1A, 125/250VAC; 1/4HP, 125VAC | 50,000                            | 6,000                             |

\*85°C

## Specifications

### Electrical

Temperature Rating: -40°C to +85°C / +120°C

Flammability Rating: UL94V-O (PBT, PET)  
UL94HB (POM)

### Materials

Base: PET

Cover: PBT

Actuator: PBT, POM

Auxiliary Actuator: Stainless Steel or Plastic

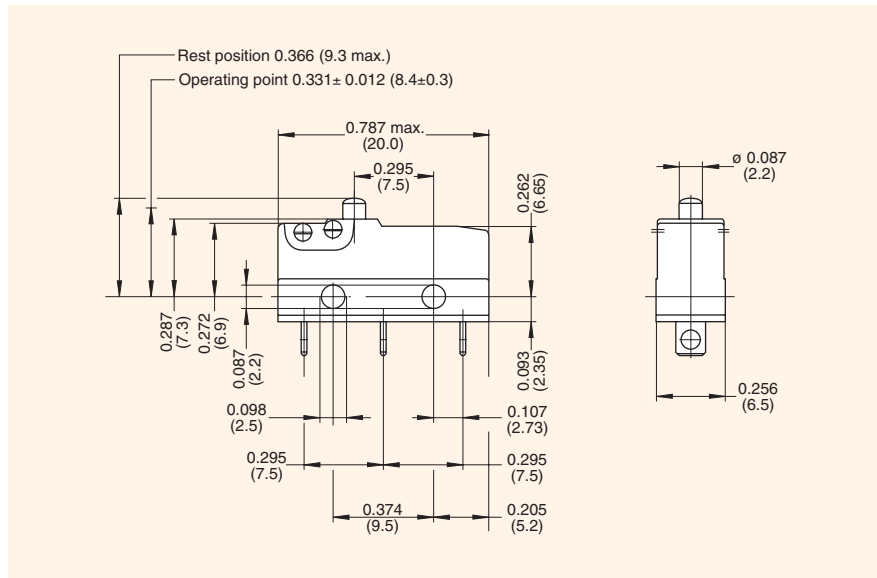
Terminals: Silver-Plated Copper-Zinc

Contacts: Silver Alloy  
Gold Crosspoint

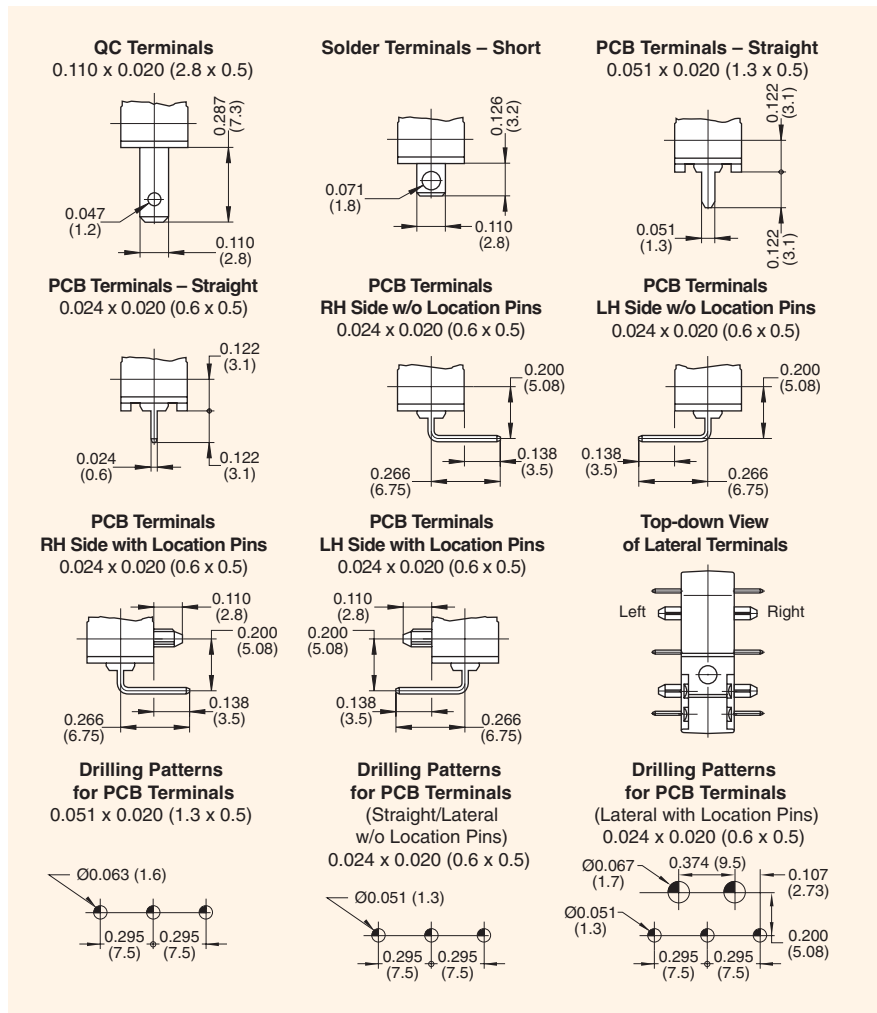
PBT = Polybutyleneterephthalate • PET = Polyethyleneterephthalate • POM = Polyacetal



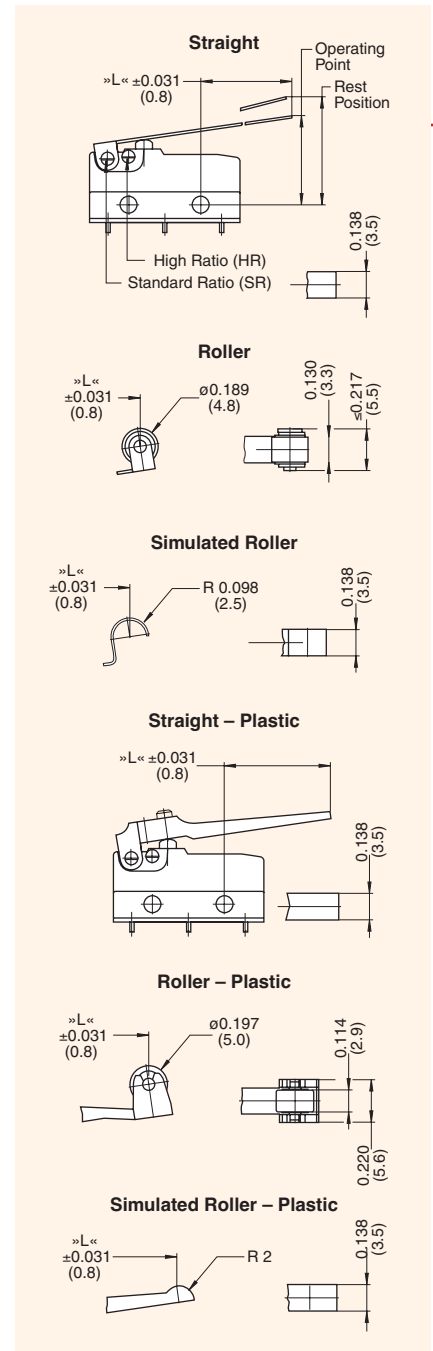
### Dimensions inches (mm)



### Terminal Options inches (mm)



### Auxiliary Actuator inches (mm)



### Contact Ratings at Direct Voltage

| Switching Voltage | Switched Current Resistive Load |       | Inductive Load L/R=3ms |      |
|-------------------|---------------------------------|-------|------------------------|------|
|                   | DB1                             | DB2   | DB1                    | DB2  |
| 12V               | 6A                              | 10A   | 6A                     | 10A  |
| 24V               | 3A                              | 5A    | 2A                     | 4A   |
| 60V               | 1A                              | 1A    | 0.5A                   | 0.5A |
| 110V              | 0.5A                            | 0.5A  | 0.2A                   | 0.2A |
| 220V              | 0.25A                           | 0.25A | 0.1A                   | 0.1A |



