

4

3

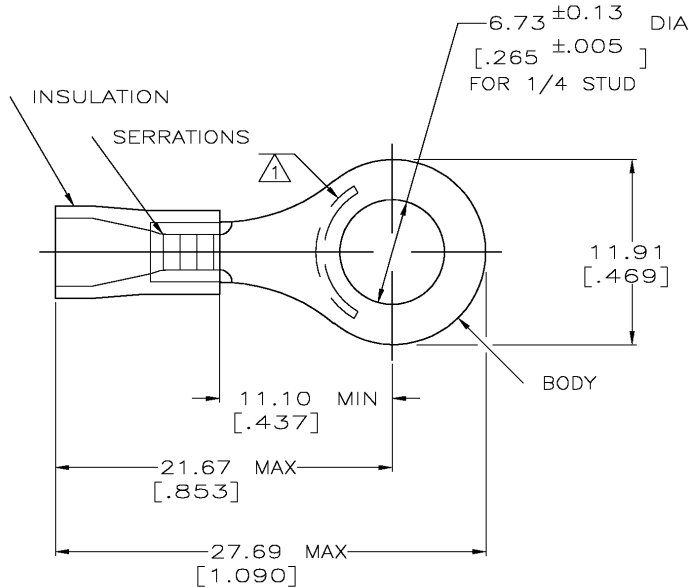
2

1

THIS DRAWING IS UNPUBLISHED. RELEASED FOR PUBLICATION  
 © COPYRIGHT - BY TYCO ELECTRONICS CORPORATION. ALL RIGHTS RESERVED.

LOC	DIST	REVISIONS			
P	LTR	DESCRIPTION	DATE	DWN	APVD
G	14	M	REV PER OG3A-0832-04	27JAN05	JR TM

AMP WIRE RANGE	Listed	LR7189 Certified
16-14 AWG SOLID OR STRANDED	16-14 AWG SOLID OR STRANDED	16-14 AWG SOLID OR STRANDED



- 1 STAMP AMP 16-14\* APPROX AS SHOWN
- 2 WIRE INSULATION DIA: 3.00-4.90 [.118-.193]
- 3 TONGUE MATERIAL THK: 0.79<sup>+0.05</sup> [.031<sup>±0.002</sup>]
- 4 MATERIAL: BODY - CU PER ASTM B152  
SLEEVE - PVC, COLOR - BLUE
- 5 MATERIAL: BODY - CU PER ASTM B152  
SLEEVE - PVC, COLOR - BLACK
- 6 REPLACED BY 8-34162-1

OBSOLETE	QTY	PACKAGE TYPE	PART NO.
	25	LOOSE PC,BAG	8-34162-5
	100	LOOSE PC,BOX	8-34162-1
	4000	ON TAPE, REEL	2-34162-3
	-	LOOSE PIECE	2-34162-2
	4000	ON TAPE, REEL	2-34162-1
	-	LOOSE PIECE	34162

AMP INCORPORATED CUSTOMER SERVICE SYSTEMS		MAX RECOMMENDED OPERATING TEMPERATURE: 105°C [221° F]	THIS DRAWING IS A CONTROLLED DOCUMENT.		DWN DK SCHRUM 08/06/92	Tyco Electronics Corporation Harrisburg, Pa 17105-3608
FOR ADDITIONAL PRODUCT INFORMATION OR COPIES OF DRAWINGS AND TECHNICAL DOCUMENTS	PRODUCT INFORMATION CENTER 1-800-522-6752	VOLTAGE RATING: N/A	DIMENSIONS: MM [ INCHES ]	TOLERANCES UNLESS OTHERWISE SPECIFIED: 0 PLC ± - 1 PLC ± - 2 PLC ± 0.20[.008] 3 PLC ± - 4 PLC ± - ANGLES ± -	CHK RE HERSEY 11/10/92	
FOR APPLICATION	TOOLING ASSISTANCE CENTER 1-800-722-1111	CIRCULAR MIL AREA: 1.04-2.62mm² [2,050-5,180] SOLID OR STRANDED		MATERIAL	PRODUCT SPEC 108-1034	TERMINAL, RING TONGUE, PLASTI-GRIP
TOOLING INFORMATION		THIS DRAWING IS A CONTROLLED DOCUMENT FOR AMP INCORPORATED. IT IS SUBJECT TO CHANGE AND THE CONTROLLING ENGINEERING ORGANIZATION SHOULD BE CONTACTED FOR THE LATEST REVISION.	SEE NOTES	FINISH TIN PER ASTM B545	APPLICATION SPEC NOT AVAILABLE	SIZE CAGE CODE DRAWING NO A3 00779 C-34162
FOR ORDER ENTRY	1-800-526-5142				WEIGHT	RESTRICTED TO
					CUSTOMER DRAWING	SCALE 4:1 SHEET 1 OF 1 REV M

AMP 1470-19 REV 31MAR2000