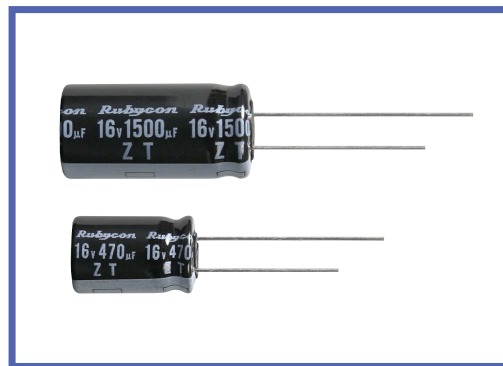


**ZT SERIES**
**Load Life: 125°C 1000~4000hours. Low impedance.**
**◆ FEATURES**

- Low impedance at 100kHz with selected materials.
- Load Life : 125°C 1000~4000hours.
- RoHS compliance.


**◆ SPECIFICATIONS**

Items	Characteristics																				
Category Temperature Range	- 40 ~ + 125°C																				
Rated Voltage Range	6.3 ~ 35V.DC																				
Capacitance Tolerance	± 20%(20°C, 120Hz)																				
Leakage Current(MAX)	I=0.03CV or 3 μ A whichever is greater. (After 2 minutes) I=Leakage Current( μ A)      C=Rated Capacitance( μ F)      V=Rated Voltage(V)																				
Dissipation Factor(MAX) (tan δ)	<table border="1"> <thead> <tr> <th>Rated Voltage (V)</th> <th>10</th> <th>16</th> <th>25</th> <th>35</th> </tr> </thead> <tbody> <tr> <td>tan δ</td> <td>0.20</td> <td>0.16</td> <td>0.14</td> <td>0.12</td> </tr> </tbody> </table> (20°C, 120Hz) When nominal capacitance is over 1000 μ F, tan δ shall be added 0.02 to the listed value with increase of every 1000 μ F.	Rated Voltage (V)	10	16	25	35	tan δ	0.20	0.16	0.14	0.12										
Rated Voltage (V)	10	16	25	35																	
tan δ	0.20	0.16	0.14	0.12																	
Endurance	After life test with rated ripple current at conditions stated in the table below, the capacitors shall meet the following requirements. <table border="1"> <thead> <tr> <th>Capacitance Change</th> <th>Within ±30% of the initial value.</th> <th>Case size</th> <th>Life Time (hrs)</th> </tr> </thead> <tbody> <tr> <td>Dissipation Factor</td> <td>Not more than 300% of the specified value.</td> <td>φ D ≤ 6.3</td> <td>1000</td> </tr> <tr> <td>Leakage Current</td> <td>Not more than the specified value.</td> <td>φ D=8</td> <td>2000</td> </tr> <tr> <td></td> <td></td> <td>φ D=10</td> <td>3000</td> </tr> <tr> <td></td> <td></td> <td>φ D=12.5</td> <td>4000</td> </tr> </tbody> </table>	Capacitance Change	Within ±30% of the initial value.	Case size	Life Time (hrs)	Dissipation Factor	Not more than 300% of the specified value.	φ D ≤ 6.3	1000	Leakage Current	Not more than the specified value.	φ D=8	2000			φ D=10	3000			φ D=12.5	4000
Capacitance Change	Within ±30% of the initial value.	Case size	Life Time (hrs)																		
Dissipation Factor	Not more than 300% of the specified value.	φ D ≤ 6.3	1000																		
Leakage Current	Not more than the specified value.	φ D=8	2000																		
		φ D=10	3000																		
		φ D=12.5	4000																		
Low Temperature Stability Impedance Ratio(MAX)	<table border="1"> <thead> <tr> <th>Rated Voltage (V)</th> <th>10</th> <th>16</th> <th>25</th> <th>35</th> </tr> </thead> <tbody> <tr> <td>Z(-25°C)/Z(20°C)</td> <td>3</td> <td>2</td> <td>2</td> <td>2</td> </tr> <tr> <td>Z(-40°C)/Z(20°C)</td> <td>6</td> <td>4</td> <td>3</td> <td>3</td> </tr> </tbody> </table> (120Hz)	Rated Voltage (V)	10	16	25	35	Z(-25°C)/Z(20°C)	3	2	2	2	Z(-40°C)/Z(20°C)	6	4	3	3					
Rated Voltage (V)	10	16	25	35																	
Z(-25°C)/Z(20°C)	3	2	2	2																	
Z(-40°C)/Z(20°C)	6	4	3	3																	

**◆ MULTIPLIER FOR RIPPLE CURRENT**

Frequency coefficient

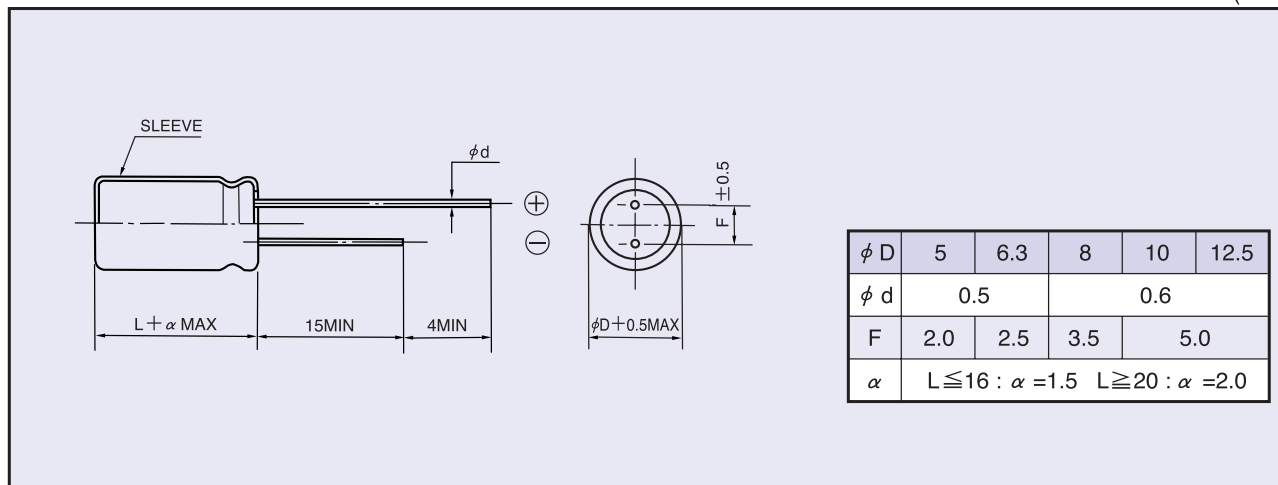
Frequency (Hz)		120	1k	10k	100k ≦
Coefficient	22 ~ 33 μ F	0.20	0.50	0.80	1.00
	39 ~ 100 μ F	0.25	0.60	0.90	1.00
	120 ~ 270 μ F	0.35	0.70	0.92	1.00
	330 ~ 680 μ F	0.45	0.75	0.95	1.00
	820 ~ 1800 μ F	0.50	0.80	0.96	1.00
	2200 μ F	0.55	0.85	0.98	1.00

**◆ PART NUMBER**

□□□	ZT	□□□□□	□	□□□	□□	D × L
Rated Voltage	Series	Rated Capacitance	Capacitance Tolerance	Option	Lead Forming	Case Size

**◆ DIMENSIONS**

(mm)


**◆ STANDARD SIZE**

Rated voltage 10V(1A)				
Rated capacitance ( $\mu F$ )	Size $\phi D \times L$ (mm)	Rated ripple current (mA r.m.s./125°C, 100kHz)	Impedance ( $\Omega$ MAX)	
			20°C, 100kHz	-10°C, 100kHz
56	5×11	250	0.40	1.3
120	6.3×11	405	0.17	0.53
330	8×11.5	760	0.094	0.29
470	8×16	995	0.073	0.23
680	8×20	1250	0.054	0.17
470	10×12.5	1030	0.069	0.21
680	10×16	1430	0.050	0.16
1000	10×20	1500	0.030	0.090
1200	10×23	1620	0.029	0.086
1500	12.5×20	1720	0.028	0.069
2200	12.5×25	1900	0.024	0.059

Rated voltage 16V(1C)				
Rated capacitance ( $\mu F$ )	Size $\phi D \times L$ (mm)	Rated ripple current (mA r.m.s./125°C, 100kHz)	Impedance ( $\Omega$ MAX)	
			20°C, 100kHz	-10°C, 100kHz
47	5×11	250	0.40	1.3
100	6.3×11	405	0.17	0.53
220	8×11.5	760	0.094	0.29
330	8×16	995	0.073	0.23
470	8×20	1250	0.054	0.17
330	10×12.5	1030	0.069	0.21
470	10×16	1430	0.050	0.16
680	10×20	1500	0.030	0.090
820	10×23	1620	0.029	0.086
1000	12.5×20	1720	0.028	0.069
1500	12.5×25	1900	0.024	0.059

Rated voltage 25V(1E)				
Rated capacitance ( $\mu$ F)	Size $\phi$ D $\times$ L(mm)	Rated ripple current (mA r.m.s./125°C, 100kHz)	Impedance ( $\Omega$ MAX)	
			20°C, 100kHz	-10°C, 100kHz
33	5 $\times$ 11	250	0.40	1.3
56	6.3 $\times$ 11	405	0.17	0.53
150	8 $\times$ 11.5	760	0.094	0.29
220	8 $\times$ 16	995	0.073	0.23
270	8 $\times$ 20	1250	0.054	0.17
220	10 $\times$ 12.5	1030	0.069	0.21
330	10 $\times$ 16	1430	0.050	0.16
470	10 $\times$ 20	1500	0.030	0.090
560	10 $\times$ 23	1620	0.029	0.086
680	12.5 $\times$ 20	1720	0.028	0.069
1000	12.5 $\times$ 25	1900	0.024	0.059

Rated voltage 35V(1V)				
Rated capacitance ( $\mu$ F)	Size $\phi$ D $\times$ L(mm)	Rated ripple current (mA r.m.s./125°C, 100kHz)	Impedance ( $\Omega$ MAX)	
			20°C, 100kHz	-10°C, 100kHz
22	5 $\times$ 11	250	0.40	1.3
56	6.3 $\times$ 11	405	0.17	0.53
100	8 $\times$ 11.5	760	0.094	0.29
120	8 $\times$ 16	995	0.073	0.23
180	8 $\times$ 20	1250	0.054	0.17
150	10 $\times$ 12.5	1030	0.069	0.21
220	10 $\times$ 16	1430	0.050	0.16
270	10 $\times$ 20	1500	0.030	0.090
330	10 $\times$ 23	1620	0.029	0.086
470	12.5 $\times$ 20	1720	0.028	0.069
560	12.5 $\times$ 25	1900	0.024	0.059