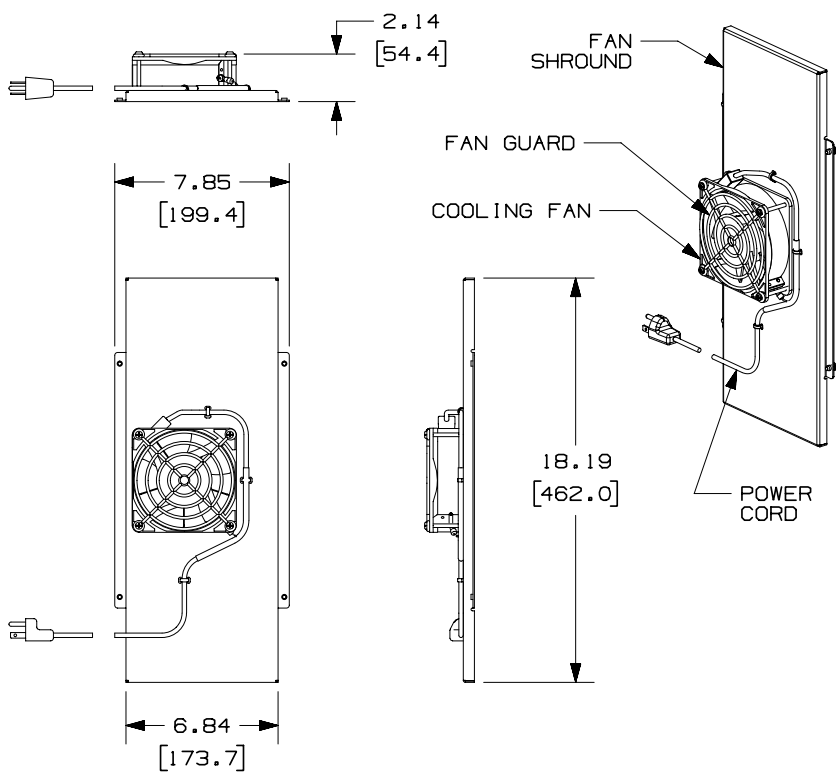


THIS COPY IS PROVIDED ON A RESTRICTED BASIS AND IS NOT TO BE USED IN ANY WAY DETRIMENTAL TO THE INTERESTS OF PANDUIT CORP.



PANDUIT PART NO.	WEIGHT
NCFK	4.0 LBS/EACH 1.81 Kg/EACH

**NOTES:**

- VISIT OUR ON-LINE CATALOG AT [WWW.PANDUIT.COM](http://WWW.PANDUIT.COM) FOR A CURRENT LIST OF PRODUCTS APPLICABLE FOR USE WITH THIS PART.
- COMPONENTS:
  - (1) FAN KIT FULLY ASSEMBLED;
  - (1) COOLING FAN
  - (1) FAN SHROUD
  - (1) FAN GUARD
  - (1) POWER CORD
  - (1) NSCR-KIT;
  - (4) #10-32 SCREWS
  - (4) #10 SPLIT RING LOCK-WASHERS
- DIMENSIONS IN PARENTHESIS ARE METRIC.

MODEL FILENAME V10138AU\_FAN-KIT\_ASSY\_02.PRT

CAD FILENAME/LAYERS V10138AU\_DC\_02B.PRT

**PANDUIT** CORP. TINLEY PARK, ILLINOIS

CABLEACCESS FAN KIT  
NCFK  
CUSTOMER DRAWING

UNLESS OTHERWISE SPECIFIED, DIMENSIONAL TOLERANCES ARE:		UNLESS OTHERWISE SPECIFIED,
INCHES	[METRIC - MILLIMETER]	ALL DIMENSIONS ARE GIVEN
X.X +/- 0.06	X +/- 1.5	IN INCHES, THIRD ANGLE PROJECTION.
X.XX +/- 0.06	X.X +/- 1.5	
X.XXX +/- 0.03	X.XX +/- 0.8	

DRAWN BY TKW	MAT'L:	SCALE NONE
DATE 06-14-04	SEE NOTES	DRAWING NO. 10138-66
CHK'D SJA		DWG A SIZE

REV	DATE	BY	CHK	DESCRIPTION	ECN	R	CUST	SUP	OTH
I	07-21-04	TKW		CHANGED PART NAME FROM NETCUBE TO CABLEACCESS	10138-66				
R	06-14-04	TKW	SJA	RELEASED TO PRODUCTION	10138-66	SJA	BAS	BAS	