



[Print](#)

**Products**

Search By:

Enter Molex Part No. or Keyword

**63850-2000**

- [Datasheet](#)
- [Tooling Manual \(PDF\)](#)
- [Manual de Heramientas \(PDF\)](#)
- [Tooling Specification \(PDF\)](#)
- [Crimp Quality Handbook \(PDF\)](#)
- [Calidad de Crimpeo \(PDF\)](#)
- [Application Tooling Specification \(PDF\)](#)

[English](#) | [Español](#) | [Français](#) | [Italiano](#) | [Deutsch](#) | [Polski](#) | [Português](#) | [По Русски](#)  
[中文显示](#) | [日本語](#) | [한국어](#)



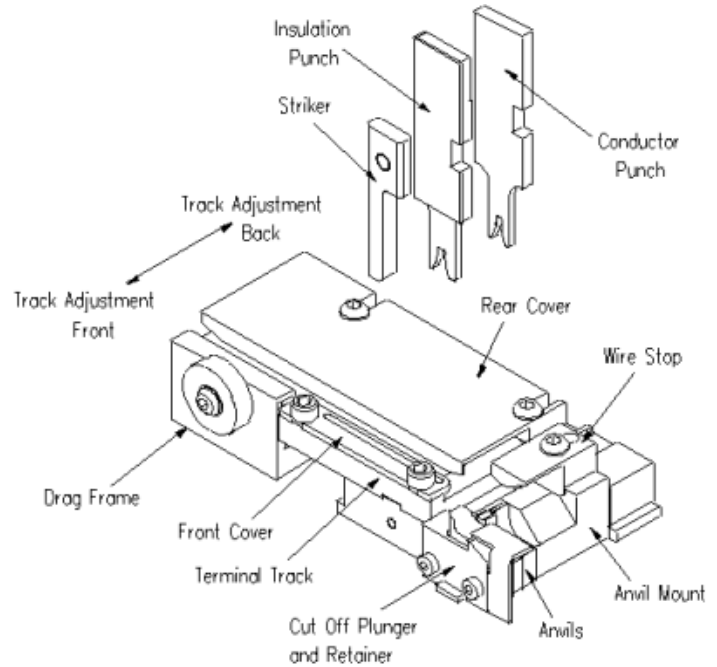
**Datasheet Application Tooling**

[ [Home](#) > [Products](#) > [Application Tooling](#) > [Datasheet](#) ]

**63850-2000**

**T2 Terminator Die**

<a href="#">Status</a>	Active
<a href="#">Geographic Area</a>	Americas
<a href="#">Region</a>	Americas
Level of Automation	Semi-automatic
<a href="#">Function</a>	Crimp
Tool Type	T2 Terminator Die
<a href="#">Wire Size [AWG]</a>	30, 28, 26, 24
Wire Size [mm <sup>2</sup> ]	0.05 - 0.20
<a href="#">Wire Insulation Diameter</a>	1.01-1.52mm (.040-.060")
<a href="#">Wire Strip Length</a>	3.17-3.56mm (.125-.140")
Spare Tooling / Locator	638502070
<a href="#">Use With</a>	Molex TM-42 press 69002-5001 and base unit 11-19-3001 for the 3BF press
<a href="#">Product Name</a>	T2
<a href="#">More Detailed Technical Information</a>	<a href="mailto:applicationtooling@molex.com">applicationtooling@molex.com</a>



T2 TERMINATOR DIE

**Features and Benefits**

Survey	<a href="#">Tooling Satisfaction</a>
<a href="#">Molex Series</a>	63850



- Flexible and inexpensive
- Enhanced crimping productivity
- Simple installation
- Quick release punches
- T2 Terminator has standardized tooling with Molex FineAdjust Applicator
- Track adjustment capabilities in the T2 Terminators for improved control of the bellmouth size and cutoff tab length

### Related Products

CRIMP TERMINALS	
Product Number	Description
<a href="#">16-02-0069</a>	SL™ Crimp Terminal, Series 70058, Female, with Tin (Sn) Plated Contact, 24-30 AWG, Reel
<a href="#">16-02-0082</a>	SL™ Crimp Terminal 70058, 24-30 AWG, Reel Selective Gold (Au)
<a href="#">16-02-0083</a>	SL™ Crimp Terminal 70058, 24-30 AWG, Reel Selective Gold (Au)
<a href="#">16-02-0119</a>	SL™ Crimp Terminal, Series 71851, Female, with 0.38µm (15µ") Selective Gold (Au) Plated Contact, 24-30 AWG, Reel
<a href="#">16-02-1112</a>	SL™ Crimp Terminal, Series 71851, Female, with Tin (Sn) Plated Contact, 24-30 AWG, Reel
<a href="#">16-02-1113</a>	SL™ Crimp Terminal, Series 71851, Female, with 0.76µm (30µ") Selective Gold (Au) Plated Contact, 24-30 AWG, Reel

**For all product dimensions, please refer to Drawing (PDF).**

© Copyright 2005 Molex Incorporated