



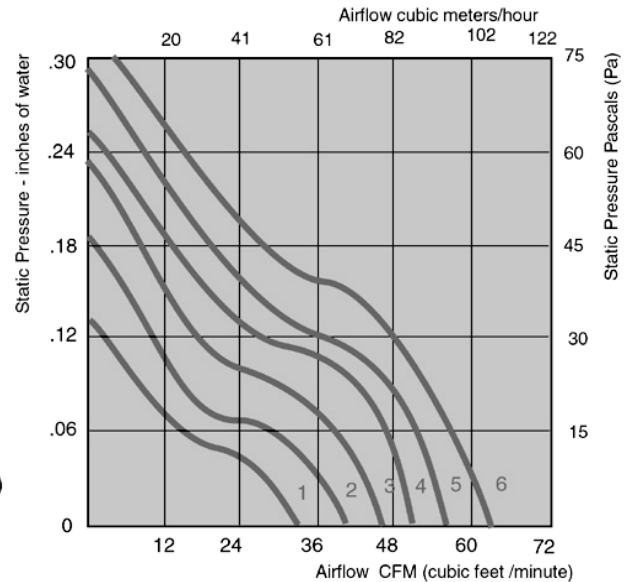
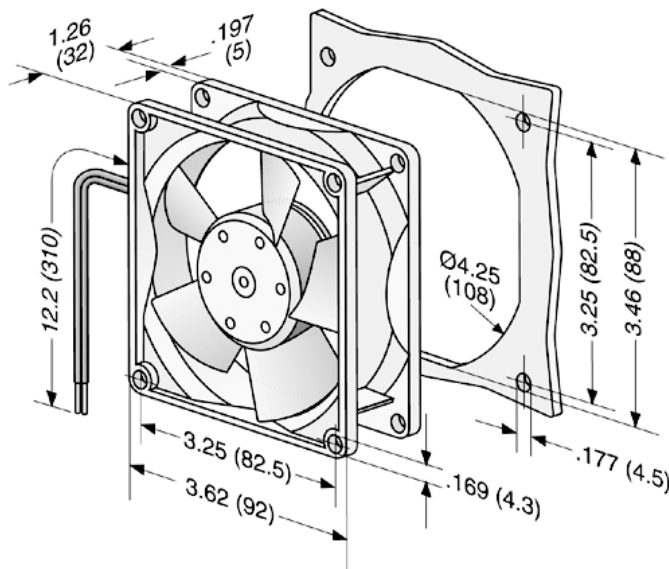
3300 Series

Tubeaxial

92x92x32mm

- DC fans with electronically commutated external rotor motor. Fully integrated commutation electronics.
- With electronic protection against reverse polarity, blocking and overloading by PTC-resistor; partially impedance protected.
- Mounting from either face using four 4.3 mm holes.
- Fan of fiberglass reinforced plastic. PBTP housing, PA impeller.
- Air exhaust over struts. Rotational direction CCW looking at rotor.
- Electrical connection via 2 leads AWG 22, TR 64. Stripped and tinned ends.
- UL, CSA, VDE approvals on some models, please contact application engineering.

Part Number	CFM @ 0	Curve	Volts	Voltage Range	Power (W)	dBA	Max Ambient Temp C	Wgt. (lbs)	Type Of Bearing	Features
3312GL	33	1	12	6 to 15	1.4	29	75	0.44	Sintec	Leads
3312L	33	1	12	6 to 15	1.4	29	75	0.44	Ball	Leads
3312M	40	2	12	6 to 15	1.7	34	75	0.44	Ball	Leads
3312GM	40	2	12	6 to 15	1.7	34	75	0.44	Sintec	Leads
3392M	40	2	12	6 to 15	1.7	34	75	0.44	Ball	Terminals
3392	47	3	12	6 to 15	2.4	37	75	0.44	Ball	Terminals
3372	47	3	12	6 to 15	2.4	37	75	0.44	Ball	Terminals
3312G	47	3	12	6 to 15	2.4	37	75	0.44	Sintec	Leads
3312	47	3	12	6 to 15	2.4	37	75	0.44	Ball	Leads
3312S	47	3	12	6 to 15	2.4	37	75	0.44	Ball	Leads
3312-177	55	5	12	6 to 15	3.5	43	75	0.44	Ball	Terminals
<hr/>										
3314L	33	1	24	12 to 28	1.4	29	75	0.44	Ball	Leads
3314M	40	3	24	12 to 28	1.7	34	75	0.44	Ball	Leads
3314	47	3	24	12 to 28	2.4	37	75	0.44	Ball	Leads
3314G	47	3	24	12 to 28	2.4	37	75	0.44	Sintec	Leads



e-mail: sales@ebm.com • TEL: 860-674-1515 • FAX: 860-674-8536
 ebm Industries, Inc., 100 Hyde Road, Farmington, CT 06034 USA

ebm Industries, Inc., 2003 © ebm Industries, Inc. reserves the right to change any specifications or data without notice



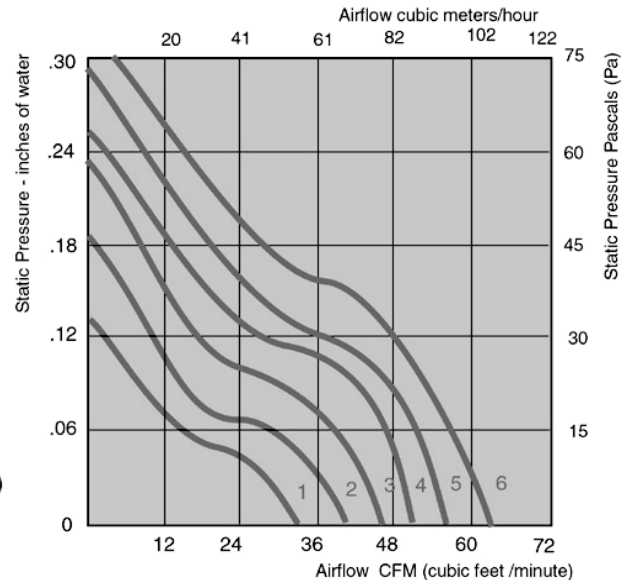
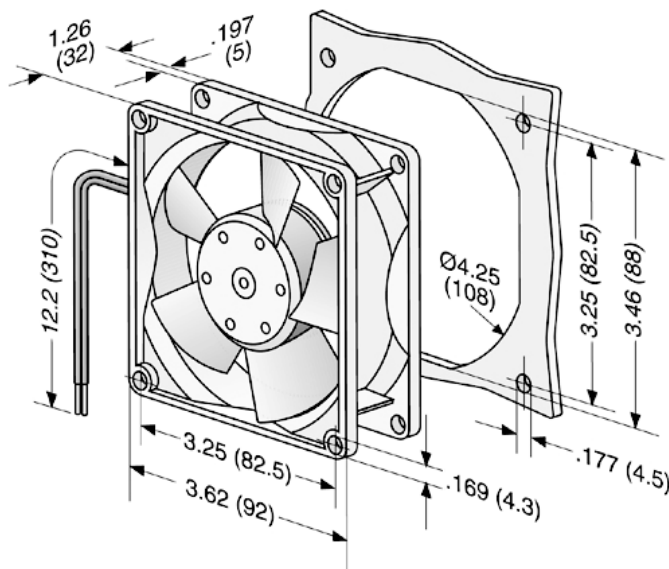
3300 Series

Tubeaxial

92x92x32mm

- DC fans with electronically commutated external rotor motor. Fully integrated commutation electronics.
- With electronic protection against reverse polarity, blocking and overloading by PTC-resistor; partially impedance protected.
- Mounting from either face using four 4.3 mm holes.
- Fan of fiberglass reinforced plastic. PBTP housing, PA impeller.
- Air exhaust over struts. Rotational direction CCW looking at rotor.
- Electrical connection via 2 leads AWG 22, TR 64. Stripped and tinned ends.
- UL, CSA, VDE approvals on some models, please contact application engineering.

Part Number	CFM @ 0	Curve	Volts	Voltage Range	Power (W)	dBa	Max Ambient Temp C	Wgt. (lbs)	Type Of Bearing	Features
3314S	47	3	24	12 to 28	2.4	37	75	0.44	Ball	Leads
3374	47	3	24	12 to 28	2.4	37	75	0.44	Ball	Terminals
3394	47	3	24	12 to 28	2.4	37	75	0.44	Ball	Terminals
3314-140	50	4	24	12 to 28	3.0	40	75	0.44	Ball	Leads
3318	47	3	48	36 to 56	2.7	37	75	0.44	Ball	Leads



e-mail: sales@ebm.com • TEL: 860-674-1515 • FAX: 860-674-8536
 ebm Industries, Inc., 100 Hyde Road, Farmington, CT 06034 USA
 ebm Industries, Inc., 2003 © ebm Industries, Inc. reserves the right to change any specifications or data without notice