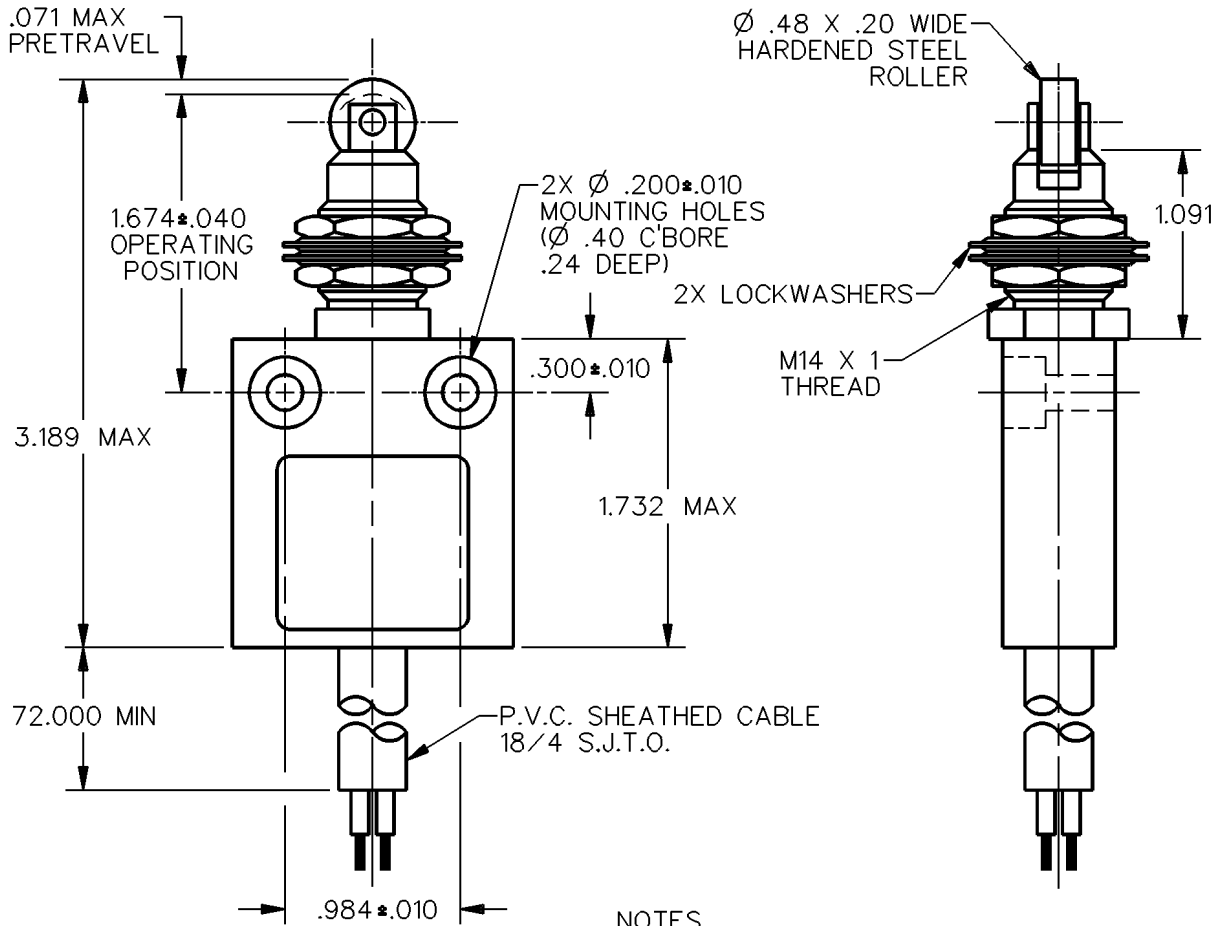
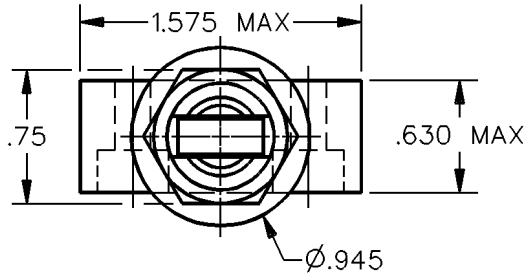
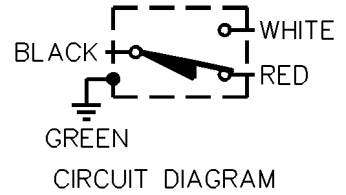


MICRO SWITCH
a Honeywell Division
FED. MFG. CODE 91929

MINIATURE PRECISION
LIMIT SWITCH

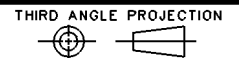
CATALOG LISTING
914CE28-6



- NOTES
 1 - ZINC HOUSING FINISHED WITH GRAY PAINT
 2 - SWITCH MOUNTS THRU A Ø.571 HOLE
 3 - .165 MAX PANEL THICKNESS

ANSI Y14.5M-1982 APPLIES

THIS DRAWING COVERS A PROPRIETARY ITEM AND IS THE PROPERTY OF MICRO SWITCH, A DIVISION OF HONEYWELL. THIS DRAWING IS NOT TO BE COPIED OR USED WITHOUT THE APPROVAL OF MICRO SWITCH.



CHARACTERISTICS	ELECTRICAL DATA	SCALE FULL	DO NOT SCALE PRINT
OPERATING FORCE 2 LBS 10 1/2 OZ MAX	CONTACT ARRANGEMENT S P D T	UNLESS OTHERWISE SPECIFIED TOLERANCES ARE	
RELEASE FORCE ----- 1 LB MIN	5A - 250 VAC 1/10HP - 125 OR 250 VAC	ONE PLACE (.0)	± .030
DIFFERENTIAL TRAVEL ----- .004 MAX		TWO PLACE (.00)	± .015
OVERTRAVEL ----- .118 MIN		THREE PLACE (.000)	± .005
		ANGLES	±
		WEIGHT	



914CE28-6
 M
 DRAWING NUMBER
 4
 ISSUE
 REVISIONS
 A CO-69061
 S A V
 7 OCT 91
 CHECK
 CHECK
 DDM/CAD
 DRAWN
 S A V 7 OCT 91
 CHECK
 REPLACES
 RELEASE NO. PR-7324