

MICRO SWITCH

FREERPORT ILLINOIS, U.S.A
A DIVISION OF HONEYWELL INC.
FED. MFG. CODE 91929

SMALL PRECISION LIMIT SWITCH

CATALOG LISTING

914CE16-3A

M 914CE16-3A

DRAWING NUMBER

ISSUE

REVISIONS

CHECK

CHECK

DEC 88

MAM 14 DEC 88

FO-52848-B

REPLACES 914CE63-3

RELEASE NO. PR-16944

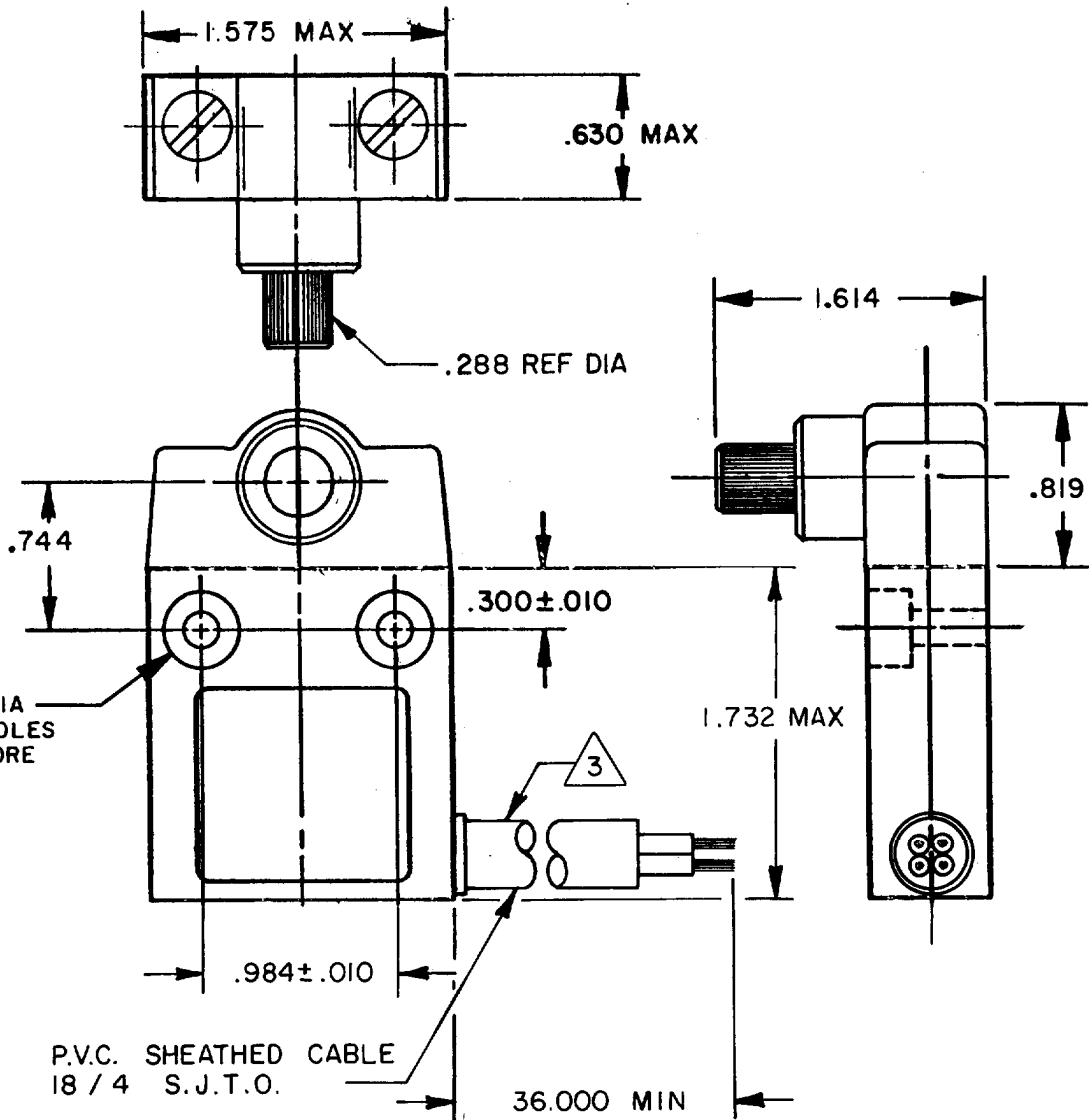
CHECK

CHECK

DEC 88

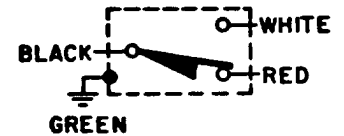
MAM 14 DEC 88

DRAWN



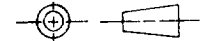
NOTES

- 1 - ZINC HOUSING FINISHED WITH GRAY PAINT
- 2 - SWITCH WILL ACTUATE IN BOTH DIRECTIONS
- 3 - SIDE EXIT CABLE



CIRCUIT DIAGRAM

THIRD ANGLE PROJECTION



THIS DRAWING COVERS A PROPRIETARY ITEM AND IS THE PROPERTY OF MICRO SWITCH, A DIVISION OF HONEYWELL. THIS DRAWING IS NOT TO BE COPIED OR USED WITHOUT THE APPROVAL OF MICRO SWITCH.

CHARACTERISTICS

OPERATING FORCE - - - - 3 IN. LB MAX
RELEASE FORCE - - - - 10 IN. OZ MAX
PRETRAVEL - - - - 30° MAX
DIFFERENTIAL TRAVEL - - - 3° MAX
OVERTRAVEL - - - - 40° MIN

ELECTRICAL DATA

CONTACT ARRANGEMENT
S P D T

5A 1/10 HP 125 OR 250 VAC



SCALE FULL

DO NOT SCALE PRINT

UNLESS OTHERWISE SPECIFIED TOLERANCES ARE

ONE PLACE (.0) ± .030
TWO PLACE (.00) ± .015
THREE PLACE (.000) ± .005
ANGLES ±

WEIGHT