

RG160DC Series

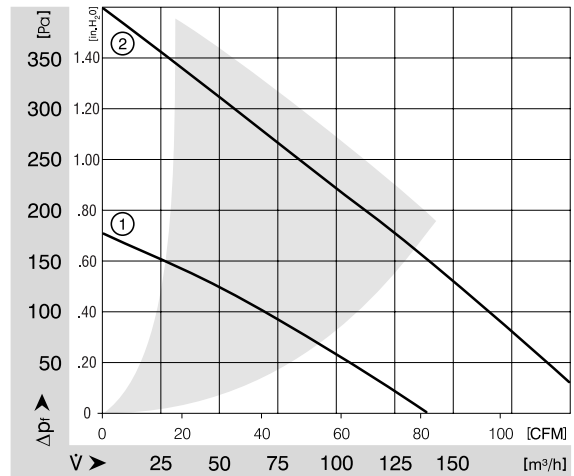
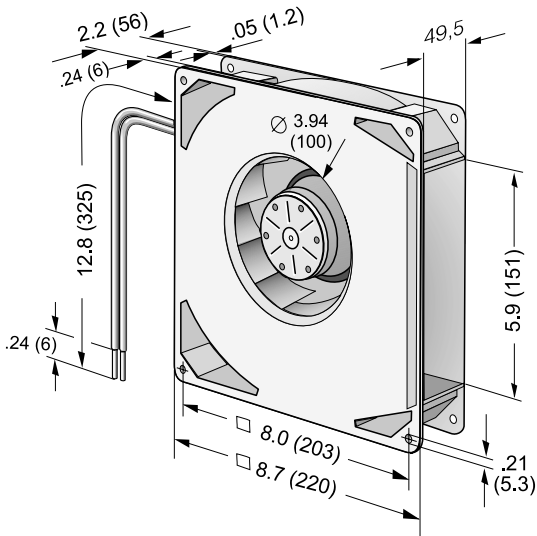
Flatpak



220x220x56mm

- DC radial blower with electronically commutated external rotor motor. Fully integrated commutation electronics.
- With electronic protection against reverse polarity, blocking and overloading.
- Spiral housing and blower of fiberglass reinforced plastic. Housing base of galvanised steel plate.
- Radial air exhaust through housing port.
- Electrical connection via 2 leads AWG 22, TR 64. Stripped and tinned ends.
- UL, CSA, VDE approvals on some models, please contact application engineering.

| Part Number | Curve | CFM @ 0 | VDC | Volt. Range | Power (W) | dBA | Max. Amb. Temp C | Bearing Type | Features | Wgt. (lbs) |
|---------------|-------|---------|-----|-------------|-----------|-----|------------------|--------------|----------|------------|
| RG160-28/12NM | 1 | 81.8 | 12 | 7 to 14 | 7.5 | 56 | 70 | Ball | Leads | 3.09 |
| RG160-28/12N | 2 | 123.0 | 12 | 7.5 to 14 | 21.0 | 66 | 70 | Ball | Leads | 3.09 |
| RG160-28/14NM | 1 | 81.8 | 24 | 12 to 28 | 7.0 | 56 | 70 | Ball | Leads | 3.09 |
| RG160-28/14N | 2 | 123.0 | 24 | 12 to 28 | 20.0 | 66 | 70 | Ball | Leads | 3.09 |
| RG160-28/18N | 2 | 123.0 | 48 | 28 to 60 | 20.0 | 66 | 70 | Ball | Leads | 3.09 |



ebmpapst

e-mail: sales@us.ebmpapst.com · TEL: 860-674-1515 · FAX: 860-674-8536

ebm-papst Inc., 100 Hyde Road, Farmington, CT 06034 USA

ebm-papst Inc., 2006 © ebm-papst Inc. reserves the right to change any specifications or data without notice