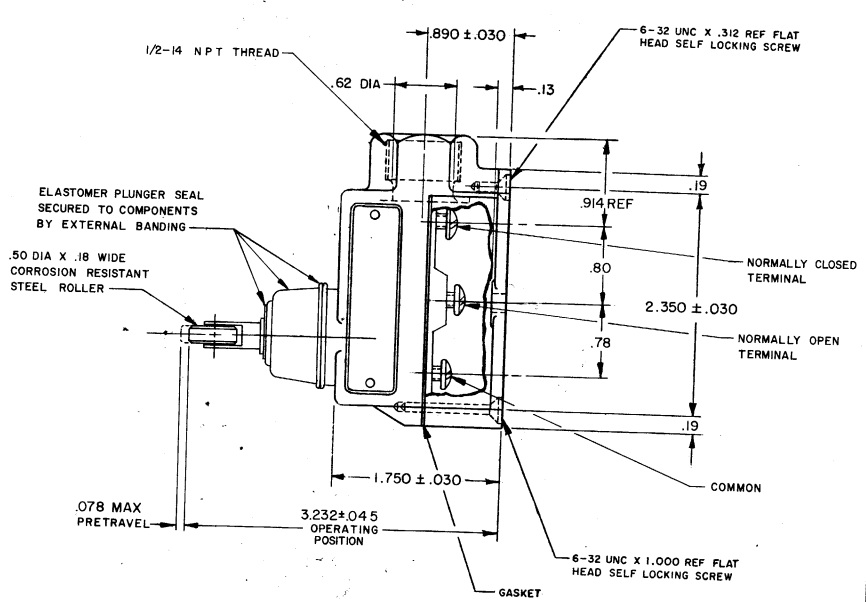
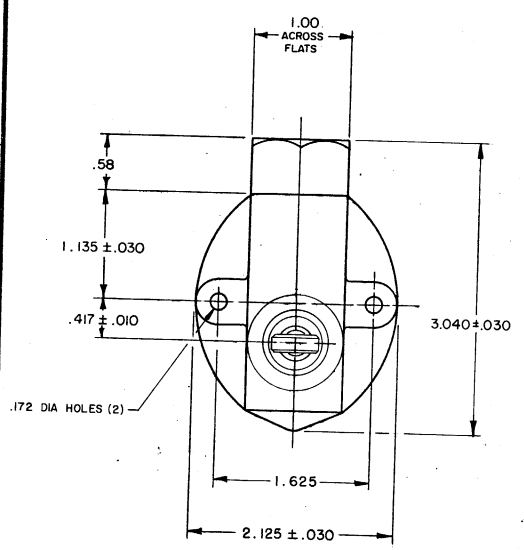


MICRO SWITCH
 A DIVISION OF MINNEAPOLIS HONEYWELL REGULATOR COMPANY
 MINNEAPOLIS, MINN.

SWITCH-ENCLOSED

CATALOG LISTING
BZV6-2RN81

BZV6-2RN81
 DRAWING NUMBER
 ISSUE 6
 REVISIONS
 A 05391-E
 J A P
 2 MAR 55
 B 05599
 C 05495B
 Y K
 30 MAY 55
 D 07261
 D A W
 10 SEP 52
 E 775-C
 MAM
 17 MAR 54
 CHECK
 20 JUN 53
 DRAWN
 18 JUNE 73
 6 L H



NOTE -
 1 - 6-32 UNC X .219 REF TERMINAL SCREW AND CUPWASHER (3)

THIS DRAWING COVERS A PROPRIETARY ITEM AND IS THE PROPERTY OF MICRO SWITCH, A DIVISION OF MINNEAPOLIS HONEYWELL REGULATOR CO. THIS DRAWING IS NOT TO BE COPIED OR USED WITHOUT THE APPROVAL OF MICRO SWITCH.		
CHARACTERISTICS	ELECTRICAL DATA	SCALE FULL
OPERATING FORCE ----- 9-24 OZ	CONTACT ARRANGEMENT S P D T	DO NOT SCALE PRINT
RELEASE FORCE ----- 4 OZ MIN	15A-125, 250 OR 480 VAC; 2A-800 VAC	UNLESS OTHERWISE SPECIFIED
DIFFERENTIAL TRAVEL --- .0004 - .0020	-L74- 1/8HP-125 VAC; 1/4HP-250 VAC	DIMENSIONS ARE IN INCHES
OVERTRAVEL ----- .219 MIN	1/2A-125 VDC; 1/4A-250 VDC	TOLERANCES ARE
SWITCH-BASIC REPLACEMENT-BZ-2RN785		ONE PLACE (.01) ± .015
		TWO PLACE (.001) ± .010
		THREE PLACE (.0001) ± .009
		ANGLES
		WEIGHT .62 LB