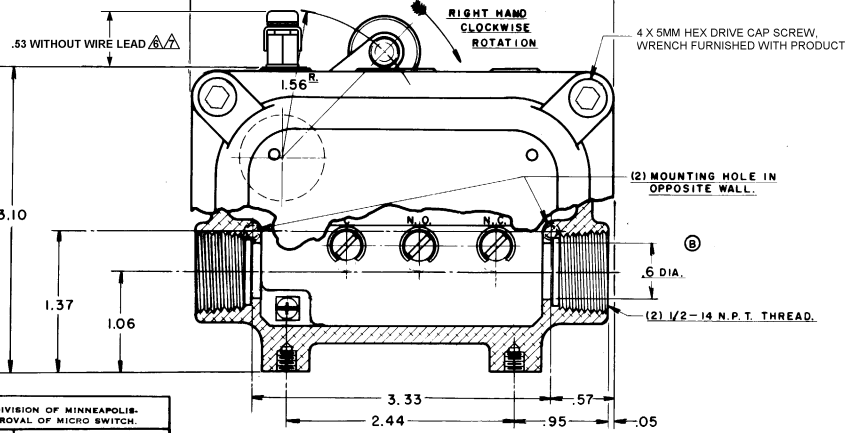
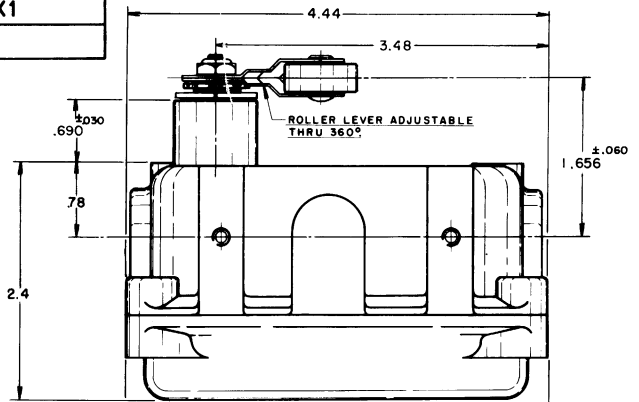
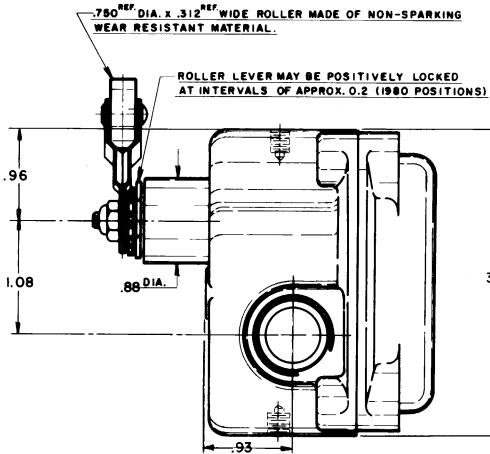
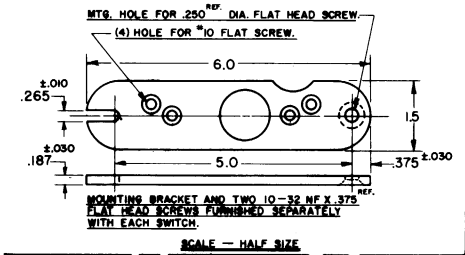


MICRO SWITCH
A DIV. OF MINNEAPOLIS HONEYWELL REGULATOR COMPANY
 FED. MFR. CODE 91929

SWITCH - ENCLOSED
2EX1

CATALOG LISTING

2EX1
 DRAWING NUMBER
M
 ISSUE 2
 REPLACES
 RELEASE NO. SR 9587
 27APR05
 CHECK AK
 REVISIONS
 A SR 9087
 B CO14881
 C CO38898
 D CO58360
 E CO81881
 F CO73344
 G CO112750
 8PK
 27APR05
 DRAWN
 K L B II APR 81
 CHECK DAV 12 APR 81
 PO-3037-003



THIS DRAWING COVERS A PROPRIETARY ITEM AND IS THE PROPERTY OF MICRO SWITCH, A DIVISION OF MINNEAPOLIS-HONEYWELL REGULATOR CO. THIS DRAWING IS NOT TO BE COPIED OR USED WITHOUT THE APPROVAL OF MICRO SWITCH.

CHARACTERISTICS	ELECTRICAL DATA	SCALE FULL
OPERATING FORCE --- 12-32 OZ	CONTACT ARRANGEMENT S P D T	DO NOT SCALE PRINT
RELEASE FORCE --- 8 OZ MIN	BREAK DISTANCE .020 MIN	UNLESS OTHERWISE SPECIFIED
PRETRAVEL --- (8°) .219 MAX		DIMENSIONS ARE IN INCHES
DIFFERENTIAL TRAVEL --- (1/2°) .012 MAX		TOLERANCES ARE:
DO NOT OVERTRAVEL MORE THAN --- 25°		ONE PLACE (.01) 1.000
		TWO PLACE (.00) 1.018
		THREE PLACE (.000) 2.000
		ANGLES 2
SWITCH-BASIC REPLACEMENT --- BA-2R-P4		WEIGHT

- NOTES
- (6) MOUNTING SCREW HOLES, 10-32 NF-2B THREADS X .219 REF DEEP
 - 8-32 NC X .219 REF BINDER HEAD TERMINAL SCREWS AND CUP WASHERS
 - EXPLOSION PROOF-UNDERWRITERS LAB INC LISTED FOR HAZARDOUS LOCATIONS NEMA7, CLASS 1, GROUPS C AND D, NEMA 9, CLASS II, GROUPS E, F AND G
 - EUROPEAN HAZARDOUS LOCATIONS DESIGNATION: EEx d IIB + H2 T6 CATEGORY II 2 G
 - SEAL RATING: NEMA 1
 - EXTERNAL GROUND SCREW MAY BE ASSEMBLED TO ANY UNUSED MOUNTING SCREW HOLE
 - ASSEMBLY PROVIDED SPLIT LOCKWASHER BETWEEN GROUND LUG AND HOUSING

