

IRIS
Certification
Registration No.: UK0001



Mil-C-5015 Types

ABCIRP

Modular Bayonet Lock Connector Series
Approved to NF-F-61-030

TT electronics
AB Connectors Limited



A Subsidiary of TT electronics plc

AB Connectors

Company Profile

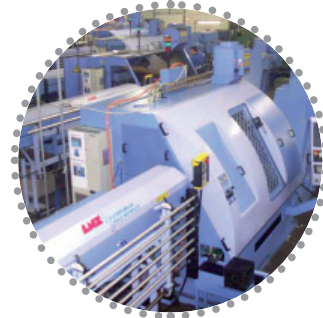
Operating from the principal site in South Wales, U.K., AB Connectors Limited, a subsidiary of TT electronics plc., is one of the recognised market leaders in design, test and manufacture of harsh environment interconnection systems, bespoke harness assemblies and equipment sub-units.

With a satellite assembly facility in North Carolina, USA, and a co-ordinated global sales and distribution network, AB Connectors Ltd. offers an unrivalled service to both engineers and buyers alike.

Through a commitment to a structured new product introduction process, AB Connectors is continuing investment in research and development of new materials and processes, surface treatments and the very latest manufacturing technology and techniques to ensure the products meet the most exacting standards encountered in the modern Military, Mass Transportation and Industrial market places.

Quality system approvals include BS/EN/ISO 9001 along with product approvals to BS9000, IECQ and CECC. As a result of these qualifications, AB Connectors have been awarded several major customer approvals and accreditations.

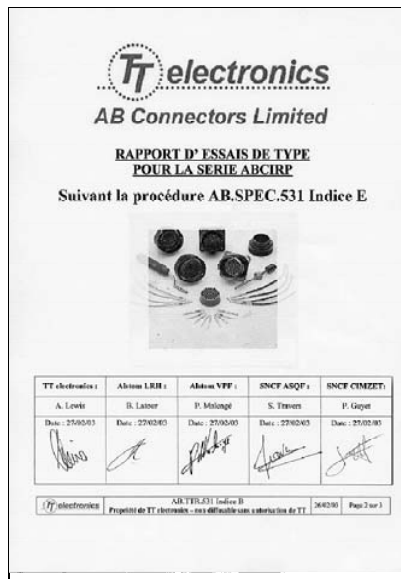
AB Connectors total commitment to providing customers with high levels of service, cost effectiveness, quality and innovation solutions in interconnection products, make it the ideal first choice supply partner.





ABCIRP Electrical Connectors

Presentation of Certification



ABCIRP

Modular Bayonet Lock Connectors

Contents:	Page:
Introduction	3
Basic Assembly	4
Technical Information	5
Shell Assemblies	7
Insulators	8
Individual Wire Seal Grommet	9
Crimp Contacts - Pin	11
Socket	12
Tooling	13
Crimp Contacts Tooling - Pin	14
Socket	15
Contact Arrangements	16
Contact Arrangement Selector	18
Contact Arrangement - Insulator Orientation	19
Additional Polarisation Device	20
Insulator Orientation Ring	21
Multi-Purpose Backshells	22
Multi-Purpose Backshells - Locking Back Nut (LBN)	23
Straight Conduit / Heatshrink / Screen Adaptor (SCHSA)	24
90° Elbow / Conduit / Heatshrink / Screen Adaptor (ECHSA)	25
Part Number Explanation	26
Panel Mounted Receptacle	27
Panel Sealing Gasket	29
Connector Fixing Plate	30
Receptacle Mounting Detail	31
Plug Connector	32
Plug Connector with Protective Rubber Ring	34
Cable Clamp - MS3057A Style	36
Telescopic Bushing	37
Waterproof Cable Clamp - MS3057C Style	38
Conduit Adaptor / Braid Screen Termination	39
Cable Gland Adaptors - PG/Metric	40
Step Up Adaptor - PG/Metric (SUAP/SUAM)	41
Metal Protective Cap	42



ABCIRP Electrical Connectors

Introduction

ABCIRP Connector Range

Removable Low Fire Hazard Insulator With Spring Clip Retained Crimp Contacts

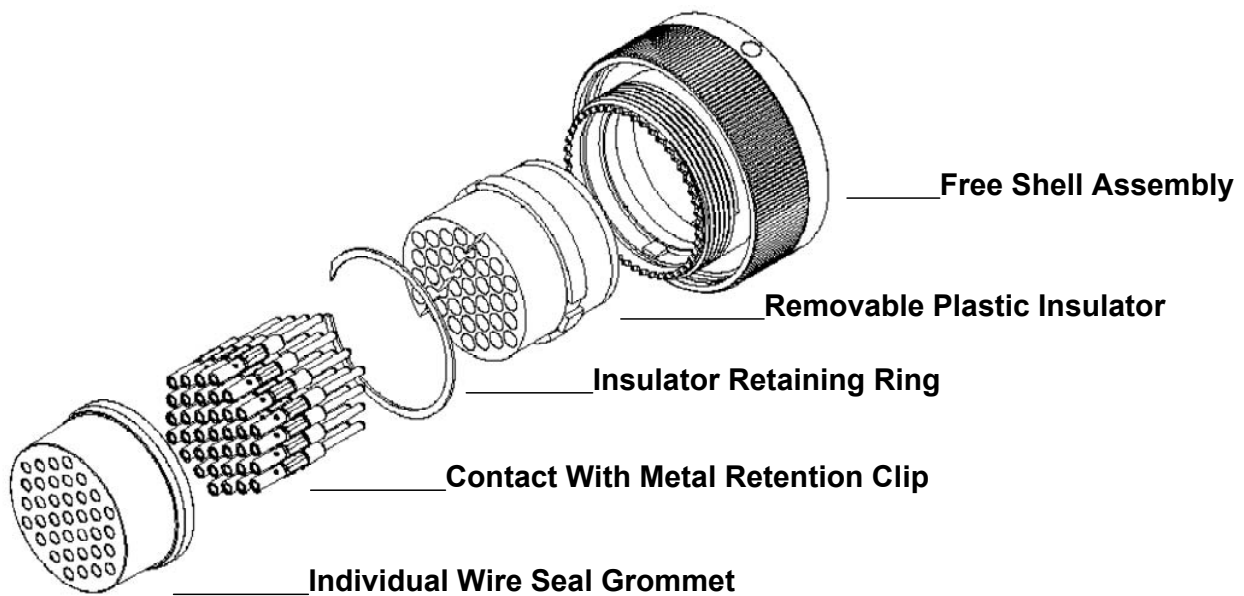
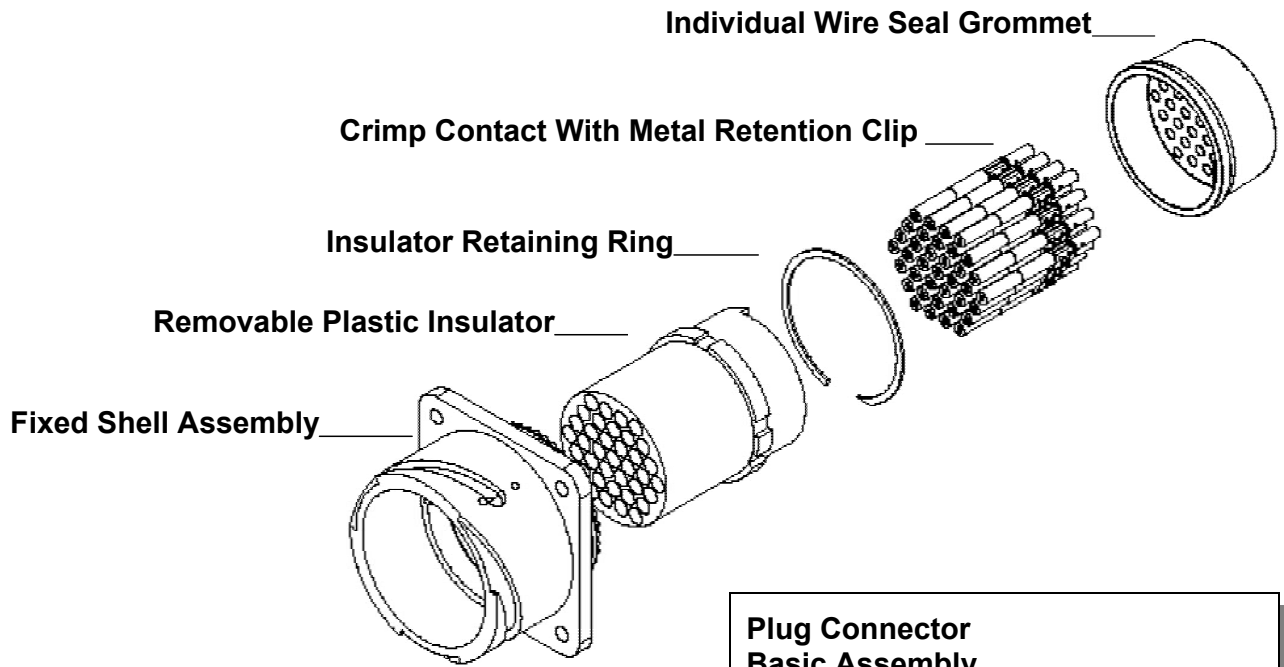
- ✓ **ABCIRP Connectors Qualified to NF F 61-030 norm**
- ✓ **Approved For Use on Railway Equipment By SNCF & Alstom Transport.**
- ✓ **Compatible With Existing MS 5015 Reverse Bayonet Types.**
- ✓ **Low Fire Hazard / Low Halogen Insulator Material Tested to French NF F 16-101 norm.**
- ✓ **Cadmium Free Surface Plating**
- ✓ **Removable Insulator**
- ✓ **Positive Location of Insulator in Shell**
- ✓ **Pin Insulators Feature Bonded Resilient Rubber Face Seal**
- ✓ **Rear Individual Wire Seal Grommet**
- ✓ **Mated Connector Assemblies Sealed to IP67**
- ✓ **Grommet Sealing Achieved Without Using Filler Plugs**
- ✓ **Part Populated Insulators Achieve Sealing Without the Fitting of Dummy Contacts**
- ✓ **Contacts Retained by Removable High Performance Metal Spring Clip**
- ✓ **Comprehensive Range of Screened/Unscreened, Sealed/Unsealed Backshells & Accessories**

ABCIRP Electrical Connectors



Basic Assembly

Panel Mounted Connector Basic Assembly





ABCIRP Electrical Connectors

Technical Information

Contact Current Ratings:

Connector metalwork:	Aluminium alloy
Insulator:	Low fire hazard thermo plastic tested to NF F 16-101 norm.
Grommet & bushing:	Low fire hazard rubber tested to NF F 16-101 norm.
Contacts:	Copper alloy
Contact retaining clip:	Beryllium copper
Accessory hardware:	Aluminium alloy

Standard Plating Finishes:

Aluminium parts:	Black chromate over zinc cobalt*
Contacts:	Gold or silver (#16 gold only)

* Consult factory for alternative finishes.

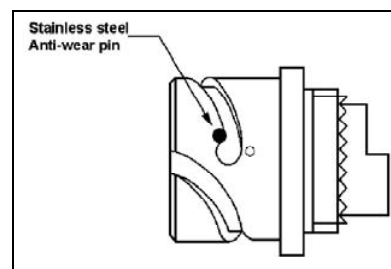
Environmental Ratings:

Operating Temperature Range:	-55 °C to + 125 °C
Shock severity:	75g
Vibration:	5-500 Hz long endurance. 30 hours at 10g.
Acceleration:	50g.

Mechanical Features:

Coupling:	3 pin reverse bayonet. 120° coupling nut rotation.
Number of contacts:	7 to 60
Contact termination:	Crimp & P. C. B.
Contact retention:	Beryllium copper spring clip. #16 70N min. #12 90N min. #8 110N min.
Sealing:	Between shells. Dynamic sealing ring, inter-facial seal. & Connector backshell. Individual wire seal grommet.
	IP67 rated when connectors are mated and used with appropriate sealed backshell
Matings:	500 minimum

ABCIRP03 receptacle connectors feature stainless steel pins at critical wear points of the cam tracks. This feature is incorporated to protect against excessive wear inflicted by continuous mating / de-mating and heavy vibration.





ABCIRP Electrical Connectors

Technical Information

Contact Size AWG	*Maximum Current @ 20° C	*Rated Current @ 85° C	**De-rated Current @ 85° C
16	22A	13A	10A
12	41A	23A	20A
8	73A	46A	42A

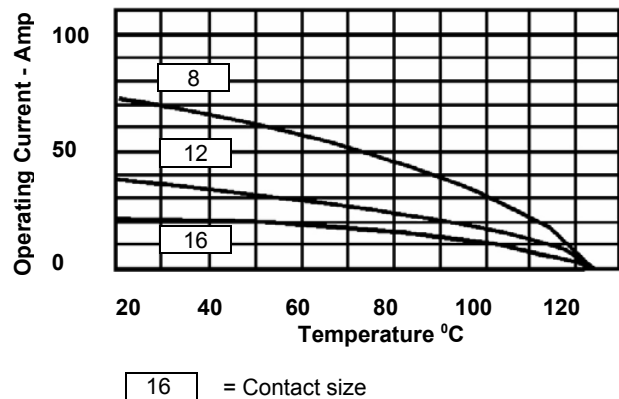
*Single contact in isolation

** Grouped contacts

Contact Arrangement Service Rating

Service Rating	Sea Level	
	A	D
Working Voltage DC or AC Peak	700 V	1,250 V
Voltage Proof AC RMS	2,000 V	2,800 V
Minimum Flashover AC RMS	2,800 V	3,600 V

Contact Current De-rating



Insulation Distance in Air (un-mated) With & without pin face seal

Contact Size	Minimum Distance (mm)
16	2.88
12	4.46
8	

Creepage Distance

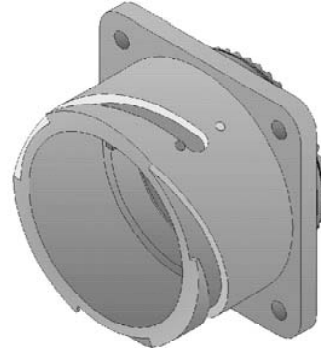
Contact Size	Minimum Creepage Distance (mm)
16	3.08
12	4.69
8	



ABCIRP Electrical Connectors

Shell Assemblies

Shell Size	Part Number
18	ABCIRP18XR
20	ABCIRP20XR
22	ABCIRP22XR
24	ABCIRP24XR
28	ABCIRP28XR
32	ABCIRP32XR
36	ABCIRP36XR
40	ABCIRP40XR



*Front or Rear Mounting
Fixed Receptacle*

Shell Size	Part Number
18	ABCIRPSE18FS
20	ABCIRPSE20FS
22	ABCIRPSE22FS
24	ABCIRPSE24FS
28	ABCIRPSE28FS
32	ABCIRPSE32FS
36	ABCIRPSE36FS
40	ABCIRPSE40FS



*Free Plug Assembly
With EMI/RFI Grounding*

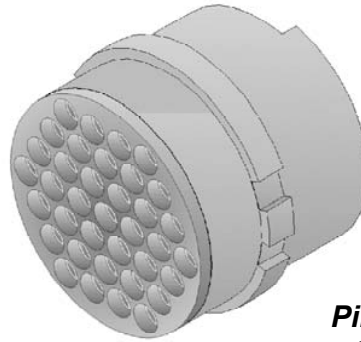
Note.
Both the fixed & free shell assembly is supplied with a insulator retaining ring.



ABCIRP Electrical Connectors

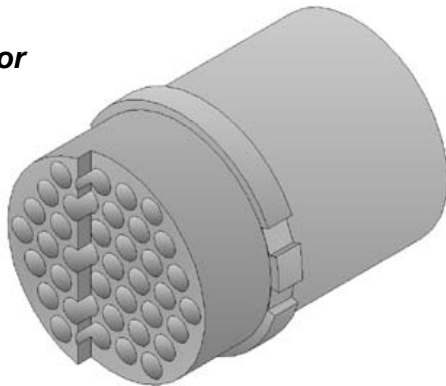
Insulators

Shell Size	Contact Arrangement	Part Number
18	18-19	ABCIRP18-19PFS
20	20-15	ABCIRP20-15PFS
22	22-14	ABCIRP22-14PFS
24	24-10	ABCIRP24-10PFS
28	28-21	ABCIRP28-21PFS
32	32-A13	ABCIRP32-A13PFS
36	36-A22	ABCIRP36-A22PFS
40	40-A35	ABCIRP40-A35PFS
40	40-A60	ABCIRP40-A60PFS



*Pin Insulator
with Face Seal.
Delete 'FS' if seal
is not required.*

**Socket
Insulator**



Shell Size	Contact Arrangement	Part Number
18	18-19	ABCIRP18-19S
20	20-15	ABCIRP20-15S
22	22-14	ABCIRP22-14S
24	24-10	ABCIRP24-10S
28	28-21	ABCIRP28-21S
32	32-A13	ABCIRP32-A13S
36	36-A22	ABCIRP36-A22S
40	40-A35	ABCIRP40-A35S
40	40-A60	ABCIRP40-A60S

Shell Size	Part number
18	ABCIRP18IC
20	ABCIRP20IC
22	ABCIRP22IC
24	ABCIRP24IC
28	ABCIRP28IC
32	ABCIRP32IC
36	ABCIRP36IC
40	ABCIRP40IC

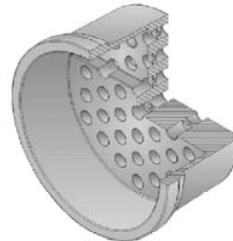


**Insulator
Retaining Ring**



ABCIRP Electrical Connectors

Individual Wire Seal Grommet



Individual Wire Seal Grommets - Size 16 Contacts

Grommet Type	Contact Arrangement	Wire Insulation Min O/D mm	Wire Insulation Max O/D mm	Part Number	Colour
Pin, Small Bore	18-19	0,8	2,30	ABCIRP18-19GPS	Yellow
	22-14	0,8	2,30	ABCIRP22-14GPS	Yellow
	28-21	0,8	2,30	ABCIRP28-21GPS	Yellow
Socket, Small Bore	18-19	0,8	2,30	ABCIRP18-19GSS	Yellow
	22-14	0,8	2,30	ABCIRP22-14GSS	Yellow
	28-21	0,8	2,30	ABCIRP28-21GSS	Yellow
Pin, Large Bore	18-19	1,5	3,30	ABCIRP18-19GPL	White
	22-14	1,5	3,30	ABCIRP22-14GPL	White
	28-21	1,5	3,30	ABCIRP28-21GPL	White
	40-A60	1,5	3,30	ABCIRP40-A60GPL	White
Socket, Large Bore	18-19	1,5	3,30	ABCIRP18-19GSL	White
	22-14	1,5	3,30	ABCIRP22-14GSL	White
	28-21	1,5	3,30	ABCIRP28-21GSL	White
	40-A60	1,5	3,30	ABCIRP40-A60GSL	White

Individual Wire Seal Grommets - Size 12 Contacts

Grommet Type	Contact Arrangement	Wire Insulation Min O/D mm	Wire Insulation Max O/D mm	Part Number	Colour
Pin, Small Bore	20-15	0,8	2,30	ABCIRP20-15GPS	Yellow
	36-A22	0,8	2,30	ABCIRP36-A22GPS	Yellow
Socket, Small Bore	20-15	0,8	2,30	ABCIRP20-15GSS	Yellow
	36-A22	0,8	2,30	ABCIRP36-A22GSS	Yellow
Pin, Large Bore	20-15	2,35	5,20	ABCIRP20-15GPL	White
	32-A13	2,35	5,20	ABCIRP32-A13GPL	White
	36-A22	2,35	5,20	ABCIRP36-A22GPL	White
	40-A35	2,35	5,20	ABCIRP40-A35GPL	White
Socket, Large Bore	20-15	2,35	5,20	ABCIRP20-15GSL	White
	32-A13	2,35	5,20	ABCIRP32-A13GSL	White
	36-A22	2,35	5,20	ABCIRP36-A22GSL	White
	40-A35	2,35	5,20	ABCIRP40-A35GSL	White

Individual Wire Seal Grommets - Size 8 Contacts

Grommet Type	Contact Arrangement	Wire Insulation Min O/D mm	Wire Insulation Max O/D mm	Part Number	Colour
Pin, Small Bore	24-10	Consult sales office	Consult sales office	ABCIRP24-10GPS	Yellow
Socket, Small Bore	24-10	Consult sales office	Consult sales office	ABCIRP24-10GSS	Yellow
Pin, Large Bore	24-10	Consult sales office	Consult sales office	ABCIRP24-10GPL	White
Socket, Large Bore	24-10	Consult sales office	Consult sales office	ABCIRP24-10GSL	White



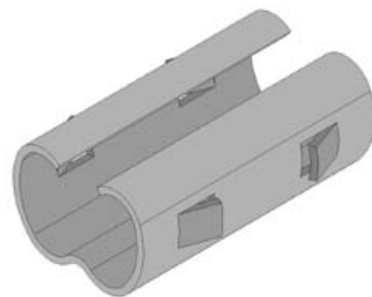
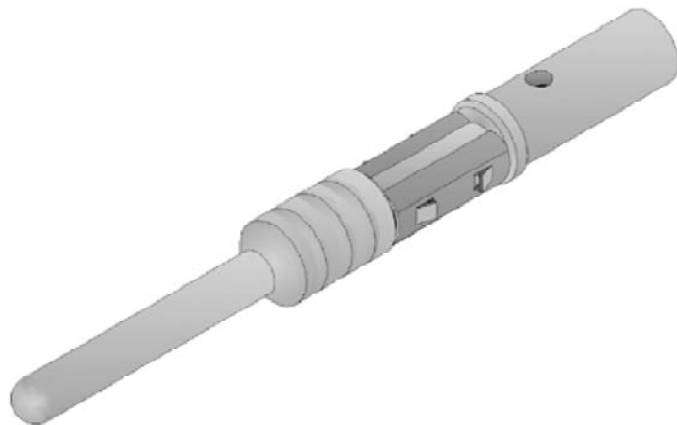
ABCIRP Electrical Connectors

Crimp Contacts with Metal Retention Clip

The ABBP crimp contact assembly, is a combination of the industry standard 'F80' design and a unique beryllium copper spring retention clip.

The design meets all mechanical and environmental standards found in high reliability applications and by using 'F80' criteria, ensures existing crimp tooling is fully compatible.

Contact Assembly

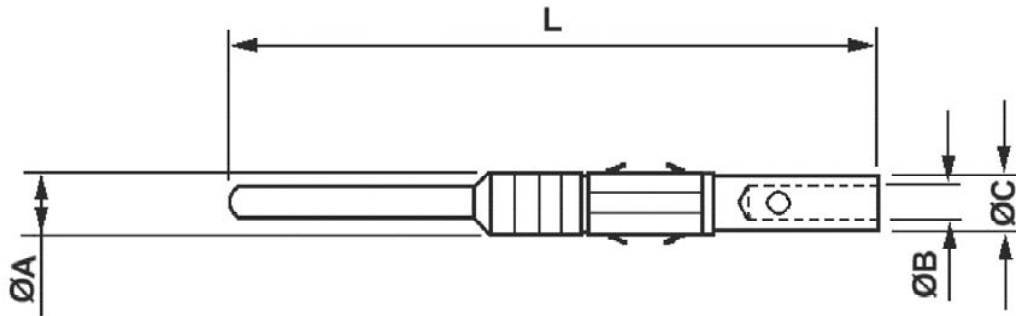


Contact Retaining Clip



ABCIRP Electrical Connectors

Crimp Contacts-Pin



Contact Size AWG	Part Number	A	B	C	Conductor CSA mm ²	L
16/22	ABBP16/22KPKP80P3	3,20	0,90	2,30	0,25/0,34	31,75
16/20	ABBP16/20KPKP80P3	3,20	1,10	2,65	0,50/0,60	31,75
16/18	ABBP16/18KPKP80P3	3,20	1,25	2,30	0,75/0,93	31,75
16	ABBP16KPKP80P3	3,20	1,75	2,75	0,93/1,50	31,75
16/14	ABBP16/14KPKP80P3	3,20	1,80	2,90	1,68	31,75
12/20	ABBP12/20KPKP80	4,80	1,10	2,65	0,50/0,60	37,50
12/18	ABBP12/18KPKP80	4,80	1,25	2,30	0,75/0,93	37,50
12/16	ABBP12/16KPKP80	4,80	1,75	2,75	0,93/1,50	37,50
12/14	ABBP12/14KPKP80	4,80	1,80	2,90	1,68	37,50
12	ABBP12KPKP80	4,80	2,50	3,80	2,50/3,00	37,50
12/10	ABBP12/10KPKP80	4,80	3,00	4,00	5,53	37,50
12/(40)	ABBP12/40KPKP80	4,80	2,70	4,00	5,53	37,50
8/16	ABBP8/16KPKP80	7,80	1,75	2,75	0,93/1,50	40,70
8/(40)	ABBP8/40KPKP80	7,80	2,90	5,20	4,00	40,70
8/12	ABBP8/12KPKP80	7,80	2,50	3,80	2,50	40,70
8	ABBP8KPKP80	7,80	4,55	6,80	9,00	40,70
(100)	ABBP100KPKP80	7,80	4,40	7,00	10,00	40,70
(100/60)	ABBP100/60KPKP80	7,80	3,40	5,50	6,00	40,70

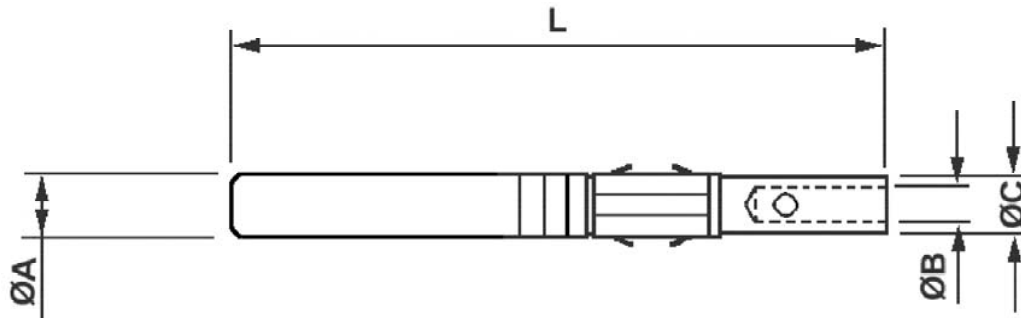
() = metric

Note. Size 16 contacts - gold plating only. Size 12, 8 & 100, silver or gold plating. For gold, add 'P3' to part number



ABCIRP Electrical Connectors

Contacts-Socket



Contact Size AWG	Part Number	A	B	C	Conductor CSA mm ²	L
16/22	ABBP16/22KLKP80P3	3,20	0,90	2,30	0,25/0,34	36,50
16/20	ABBP16/20KLKP80P3	3,20	1,10	2,65	0,50/0,60	36,50
16/18	ABBP16/18KLKP80P3	3,20	1,25	2,30	0,75/0,93	36,50
16	ABBP16KLKP80P3	3,20	1,75	2,75	0,93/1,50	36,50
16/14	ABBP16/14KLKP80P3	3,20	1,80	2,90	1,68	36,50
12/20	ABBP12/20KLKP80	4,80	1,10	2,65	0,50/0,60	37,50
12/18	ABBP12/18KLKP80	4,80	1,25	2,30	0,75/0,93	37,50
12/16	ABBP12/16KLKP80	4,80	1,75	2,75	0,93/1,50	37,50
12/14	ABBP12/14KLKP80	4,80	1,80	2,90	1,68	37,50
12	ABBP12KLKP80	4,80	2,50	3,80	2,50/3,00	37,50
12/10	ABBP12/10KLKP80	4,80	3,00	4,00	5,53	37,50
12/(40)	ABBP12/40KLKP80	4,80	2,70	4,00	5,53	37,50
8/16	ABBP8/16KSKP80	7,80	1,75	2,75	0,93/1,50	40,70
8/(40)	ABBP8/40KSKP80	7,80	2,90	5,20	4,00	40,70
8/12	ABBP8/12KSKP80	7,80	2,50	3,80	2,50	40,70
8	ABBP8KSKP80	7,80	4,55	6,80	9,00	40,70
(100)	ABBP100KSKP80	7,80	4,40	7,00	10,00	40,70
(100/60)	ABBP100/60KSKP80	7,80	3,40	5,50	6,00	40,70

() = metric

Note. Size 16 contacts - gold plating only. Size 12, 8 & 100, silver or gold plating. For gold, add 'P3' to part number

ABCIRP Electrical Connectors



Crimp Contacts-Tooling



**Crimp Tool
AF8**

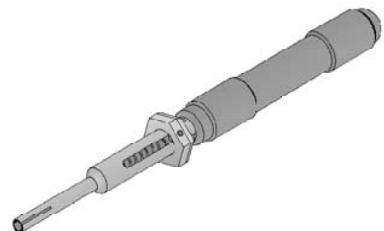


**Crimp Tool
M310**



Contact Size AWG	Insertion Tool Part Number
16	P8016ITA
12	P8012ITA
8	P808ITA

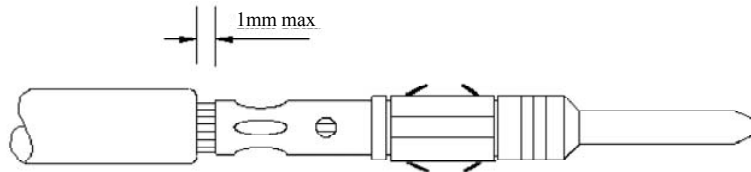
Contact Size AWG	Extraction Tool Part Number
16	P8016ETA
12	P8012ETA
8	P808ETA





ABCIRP Electrical Connectors

Crimp Contacts - Pin Tool Setting Specification For Wire Size

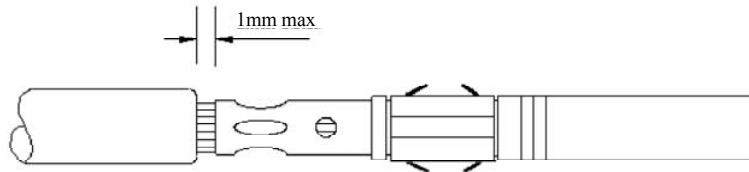


Contact Size & Type	Contact Part Number	Wire Size C.S.A. mm ²	Crimp Tool Required	Turret/Locator	Tool Setting	Tool Position	Contact Insertion Tool	Contact Extraction Tool
16/22 Pin	ABBP16/22KPKP80P3	0,25/0,34	AF8	TH592	0,25 - 2 0,34 - 3	Red	P8016ITA	P8016ETA
16/20 Pin	ABBP16/20KPKP80P3	0,50/0,60	AF8	TH592	3	Blue	P8016ITA	P8016ETA
16/18 Pin	ABBP16/18KPKP80P3	0,75/0,93	AF8	TH592	4	Blue	P8016ITA	P8016ETA
16 Pin	ABBP16KPKP80P3	0,93/1,50	AF8	TH592	0,93 - 4 1,50 - 5	Blue	P8016ITA	P8016ETA
16/14 Pin	ABBP16/14KPKP80P3	1,68	AF8	TH592	5	Blue	P8016ITA	P8016ETA
12/20 Pin	ABBP12/20KPKP80	0,50/0,60	AF8	TH592	3	Yellow	P8012ITA	P8012ETA
12/18 Pin	ABBP12/18KPKP80	0,75/0,93	AF8	TH592	4	Yellow	P8012ITA	P8012ETA
12/16 Pin	ABBP12/16KPKP80	0,93/1,50	AF8	TH592	0,93 - 4 1,50 - 5	Yellow	P8012ITA	P8012ETA
12/14 Pin	ABBP12/14KPKP80	1,68	AF8	TH592	5	Yellow	P8012ITA	P8012ETA
12 Pin	ABBP12KPKP80	2,50/3,00	AF8	TH592	7	Yellow	P8012ITA	P8012ETA
12/10 Pin	ABBP12/10KPKP80	4,00/5,53	M310	TH592	5	Yellow	P8012ITA	P8012ETA
12/(40) Pin	ABBP12/40KPKP80	4,00/5.53	M310	TH592	5	Yellow	P8012ITA	P8012ETA
8/16 Pin	ABBP8/16KPKP80	0,93/1,50	M310	Consult Factory			P808ITA	P808ETA
8/(40) Pin	ABBP8/40KPKP80	4,0	D55E	Die Set MRP31042	-	-	P808ITA	P808ETA
8/12 Pin	ABBP8/12KPKP80	2,50	M310	Consult Factory			P808ITA	P808ETA
8 Pin	ABBP8KPKP80	9,0	ERMA 19600	22390	-	-	P808ITA	P808ETA
(100) Pin	ABBP100KPKP80	10,0	D55E	Die Set MRP0925	-	-	P808ITA	P808ETA
(100/60) Pin	ABBP100/60KPKP80	6,0	D55E	Die Set MRP31038	-	-	P808ITA	P808ETA



ABCIRP Electrical Connectors

Crimp Contacts - Socket Tool Setting Specification For Wire Size



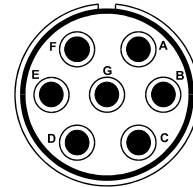
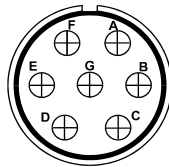
Contact Size & Type	Contact Part Number	Wire Size C.S.A. mm ²	Crimp Tool Required	Turret/Locator	Tool Setting	Tool Position	Contact Insertion Tool	Contact Extraction Tool
16/22 Skt.	ABBP16/22KLKP80P3	0,25/0,34	AF8	TH592	0,25 - 2 0,34 - 3	Blue	P8016ITA	P8016ETA
16/20 Skt.	ABBP16/20KLKP80P3	0,50/0,60	AF8	TH592	3	Red	P8016ITA	P8016ETA
16/18 Skt.	ABBP16/18KLKP80P3	0,75/0,93	AF8	TH592	4	Red	P8016ITA	P8016ETA
16 Skt.	ABBP16KLKP80P3	0,93/1,50	AF8	TH592	0,93 - 4 1,50 - 5	Red	P8016ITA	P8016ETA
16/14 Skt.	ABBP16/14KLKP80P3	1,68	AF8	TH592	5	Red	P8016ITA	P8016ETA
12/20 Skt.	ABBP12/20KLKP80	0,50/0,60	AF8	TH592	3	Yellow	P8012ITA	P8012ETA
12/18 Skt.	ABBP12/18KLKP80	0,75/0,93	AF8	TH592	4	Yellow	P8012ITA	P8012ETA
12/16 Skt.	ABBP12/16KLKP80	0,93/1,50	AF8	TH592	0,93 - 4 1,50 - 5	Yellow	P8012ITA	P8012ETA
12/14 Skt.	ABB12/14KLKP80	168	AF8	TH592	5	Yellow	P8012ITA	P8012ETA
12 Skt.	ABBP12KLKP80	2,50/3,00	AF8	TH592	7	Yellow	P8012ITA	P8012ETA
12/10 Skt.	ABBP12/10KLKP80	4,00/5,53	M310	TH592	5	Yellow	P8012ITA	P8012ETA
12/(40) Skt.	ABBP12/40KLKP80	4,00/5,53	M310	TH592	5	Yellow	P8012ITA	P8012ETA
8/16 Skt.	ABBP8/16/KSKP80	0,93/1,50	M310	Consult Factory			P808ITA	P808ETA
8/(40) Skt.	ABBP8/40KSKP80	4,0	D55E	Die Set MRP3104	-	-	P808ITA	P808ETA
8/12 Skt.	ABBP8/12KSKP80	2,50	M310	Consult Factory			P808ITA	P808ETA
8 Skt.	ABBP8KSKP80	9,0	ERMA 19600	22390	-	-	P808ITA	P808ETA
(100) Skt.	ABBP100/KSKP80	10,0	D55E	Die Set MRP0925	-	-	P808ITA	P808ETA
(100/60) Skt.	ABBP100/60KSKP80	6,0	D55E	Die Set MRP3103	-	-	P808ITA	P808ETA



ABCIRP Electrical Connectors

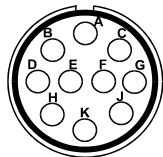
Contact Arrangements

7 Contacts

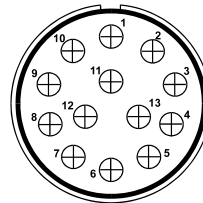


Contact Arrangement :	20-15	24-10
No. Contacts x Size AWG :	7 x #12	7 x #8
Service Rating :	A	A

10 Contacts

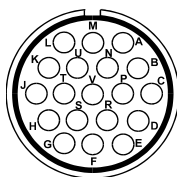


13 Contacts

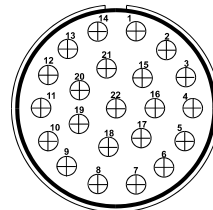


Contact Arrangement :	18-19	32-A13
No. Contacts x Size AWG :	10 x #16	13 x #12
Service Rating :	A	D

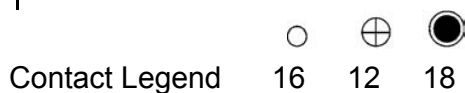
19 Contacts



22 Contacts



Contact Arrangement :	22-14	36-A22
No. Contacts x Size AWG :	19 x #16	22 x #12
Service Rating :	A	D

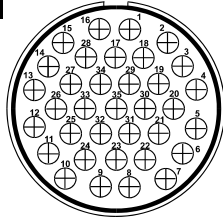


ABCIRP Electrical Connectors

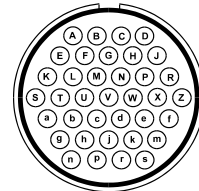


Contact Arrangements

35 Contacts

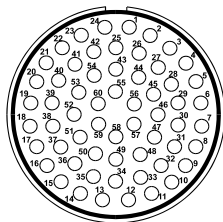


37 Contacts



Contact Arrangement :	40-A35	28-21
No. Contacts x Size AWG :	35 x #12	37 x #16
Service Rating :	D	A

60 Contacts



Contact Arrangement :	40-A60
No. Contacts x Size AWG :	60 x #16
Service Rating :	A



ABCIRP Electrical Connectors

Contact Arrangement Selector

Contact Size AWG & Current Rating (Derated)

Amps at 85° C

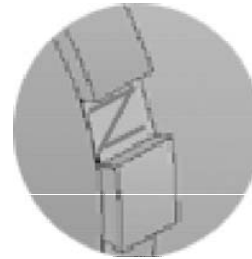
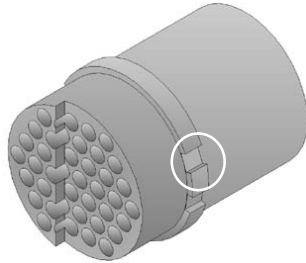
Shell Size	Contact Arr.	Number of Contacts	16	12	8	Shell Orientation	Service Rating
18	19	10	10x10A			NXY	A
20	15	7		7x20A		NWZ	A
22	14	19	19x10A			NWXYZ	A
24	10	7			7x42A	NWZ	A
28	21	37	37x10A			NWXYZ	A
32	A13	13		13x20A		NWXYZ	D
36	A22	22		22x20A		NWXYZ	D
40	A35	35		35x20A		NWXYZ	D
40	A60	60	60x10A			NWXYZ	A

Notes.

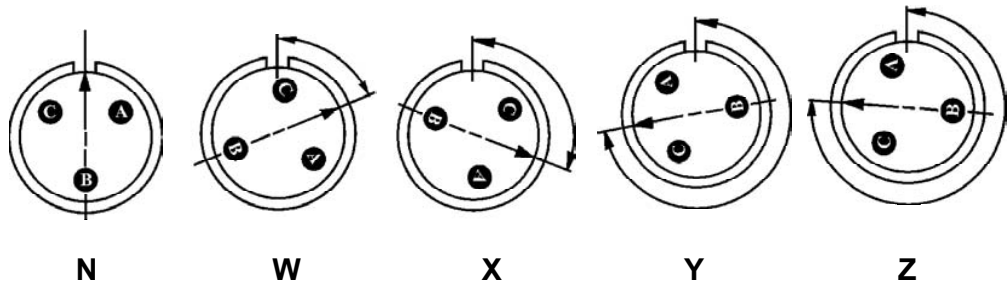


ABCIRP Electrical Connectors

Insulator Orientations



Position of orientation identifier on insulator moulding

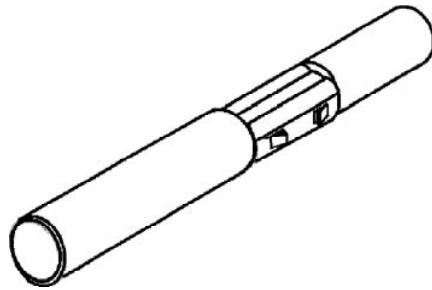


Contact Arrangement	Angular Displacement Of Insert				
	N Yellow	W Blue	X Green	Y Purple	Z White
18-19	0	-	120	240	-
20-15	0	80	-	-	280
22-14	0	80	110	250	280
24-10	0	80	-	-	280
28-21	0	80	110	250	280
32-A13	0	65	130	230	295
36-A22	0	80	110	250	280
40-A35	0	70	130	230	290
40-A60	0	80	110	250	280



ABCIRP Electrical Connectors

Additional Polarisation Device



How to Order:

ABCIRP ** PD

**** Contact size**

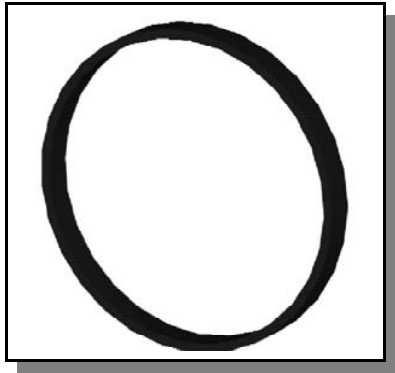
Consult Factory for all other positions

Contact Arrangement	Insulator Orientation	Polarising Pin Position
18-19		
20-15		
22-14		
24-10		
28-21		
32-A13		
36-A22		
40-A35		
40-A60	N	3 & 51
	W, X, Y & Z	26 & 59



ABCIRP Electrical Connectors

Insulator Orientation Ring



To prevent mis-mating of like connectors, as shown previously in this catalogue the connector contact arrangement is rotated through pre-determined angular displacement. Each of these displacements is identified by a single letter ie. N, W, etc and to aide identification, a colour.

On ABCIRP connectors, this colour identification is achieved by the fitting of a coloured band to each connector half. For the fixed, the band is applied over the front of the connector after location in its' final position. For the free connector, the band is placed over the rear accessory thread prior to connector assembly.

Orientation	N	W	X	Y	Z
Colour	Yellow	Blue	Green	Purple	White

How to Order:

Size 28 Normal Orientation.
ABBOR 28 N

ABBOR : Accessory Type

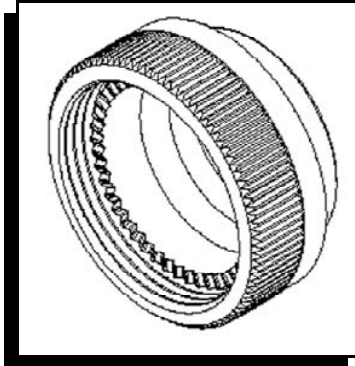
28 : Shell Size

N : Orientation



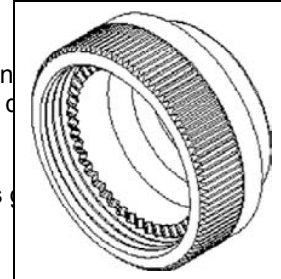
ABCIRP Electrical Connectors

Multi-Purpose Backshells



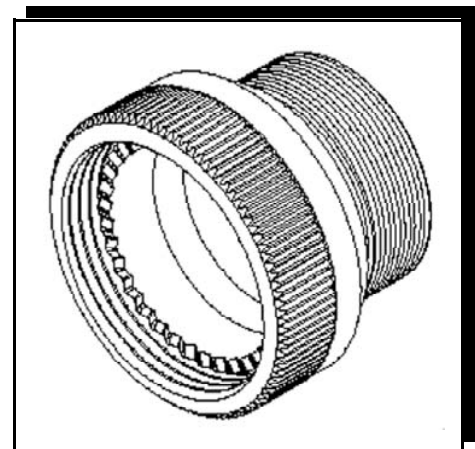
Locking Back-Nut - LBN

- Provides uniform compression of the wire seal grommet.
- The backshell body locks onto the connector serrations which prevents rotation and deformation of the wire seal grommet.
- 'Spinning' knurled locking nut prevents grommet twist when tightening.
- Do not loosen through the effects of age and

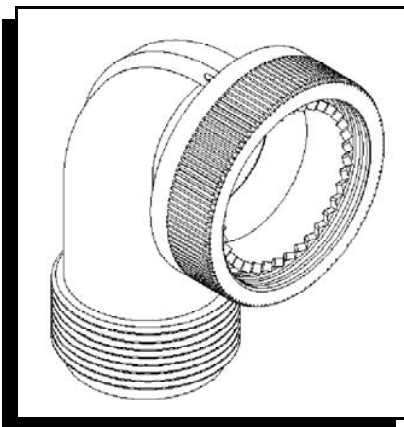


Screen / Conduit / Heat Shrink Adaptor - SCHSA

- Provides uniform compression of the wire seal grommet.
- 'Spinning' knurled locking nut prevents grommet twist when tightening.
- The backshell body locks onto the connector serrations preventing rotation and deformation of the wire seal grommet.
- Thread suitable for grounding band application.
- Accepts standard accessories.
- Machined recess to accept heat shrink boot lip.



90° Screen / Conduit / Heat Shrink Adaptor - ECHSA

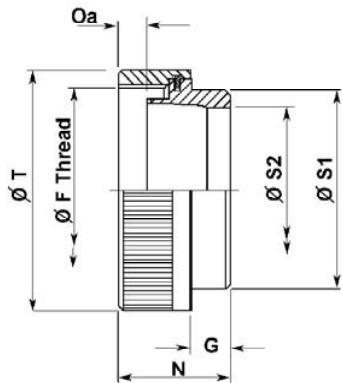


- Provides uniform compression of the wire seal grommet.
- 'Spinning' knurled locking nut prevents grommet twist when tightening.
- The backshell body locks onto the connector serrations preventing rotation and deformation of the wire seal grommet.
- Thread suitable for grounding band application.
- Accepts standard accessories.
- Machined recess to accept heat shrink boot lip.
- Allows multi-angle cable positioning.



ABCIRP Electrical Connectors

Locking Backnut - LBN



How To Order:

ABBP ** LBN

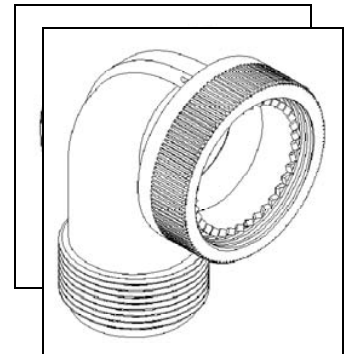
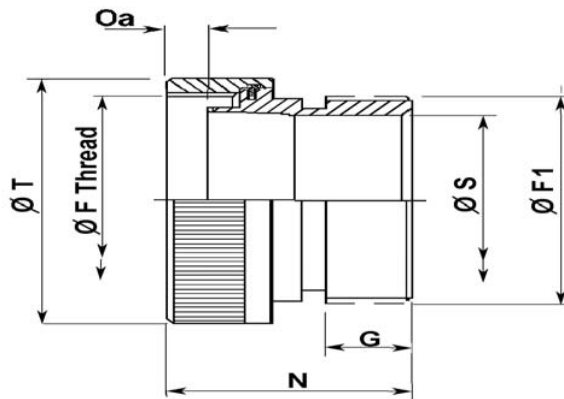
** Shell Size

Shell Size	ØF Thread Class 2B	G Max	N Max	ØS1 Max	ØS2 Min	ØT Max	Oa Min Overlap Accessory
18	1" x 20 UNEF	8,70	25,65	25,50	16,70	31,00	7,00
20	1 1/8" x 18 UNEF	8,70	25,65	30,20	19,80	35,00	7,00
22	1 1/4" x 18 UNEF	8,70	25,65	30,20	19,80	38,00	7,00
24	1 3/8" x 18 UNEF	8,70	24,65	36,60	25,40	41,00	7,00
28	1 5/8" x 18 UNEF	8,70	24,65	36,60	27,00	48,00	7,00
32	1 7/8" x 16 UN	8,70	24,65	44,50	32,50	54,00	7,00
36	2 1/16" x 16 UNS	8,70	24,65	50,90	35,70	61,00	7,00
40	2 5/16" x 16 UN	8,70	24,65	57,20	45,00	67,00	7,00



ABCIRP Electrical Connectors

Conduit/Heatshrink/Screen Adaptor - SCHSA



How To Order:

ABBP ** SCHSA

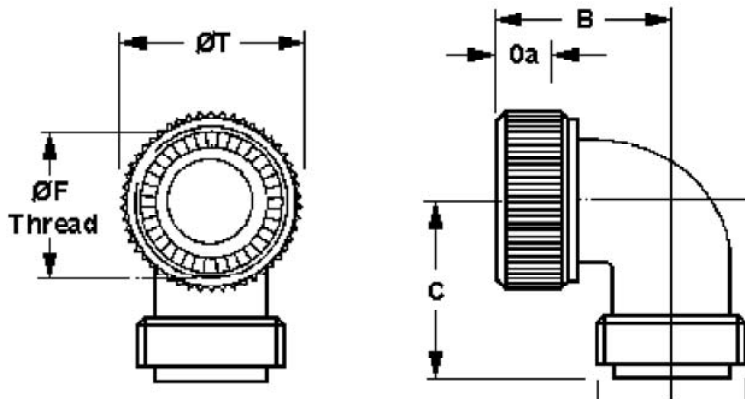
** Shell Size

Shell Size	ØF Thread Class 2B	ØF1 Thread Class 2A	G Max	N Max	ØS Min	ØT Max	Oa Min Overlap Accessory
18	1" x 20 UNEF	1" x 20 UNEF	12,40	36.06	16,70	31,00	7,00
20	1 ¹ / ₈ " x 18 UNEF	1 ³ / ₁₆ " x 18 UNEF	12,40	38.60	19,80	35,00	7,00
22	1 ¹ / ₄ " x 18 UNEF	1 ³ / ₁₆ " x 18 UNEF	12,40	38.60	21,34	38,00	7,00
24	1 ³ / ₈ " x 18 UNEF	1 ⁷ / ₁₆ " x 18 NEF	12,40	38,60	25,40	41,00	7,00
28	1 ⁵ / ₈ " x 18 UNEF	1 ⁷ / ₁₆ " x 18 NEF	12,40	38.56	30,13	48,00	7,00
32	1 ⁷ / ₈ " x 16 UN	1 ³ / ₄ " x 18 UNS	12,10	38.26	36,73	54,00	7,00
36	2 ¹ / ₁₆ " x 16 UNS	2" x 18 UNS	12,10	39.26	41,00	61,00	7,00
40	2 ⁵ / ₁₆ " x 16 UN	2 ¹ / ₄ " x 16 UN	12,10	38.30	48,10	67,00	7,00



ABCIRP Electrical Connectors

90° Conduit/Heatshrink/Screen Adaptor -



How To Order:
ABBP ** ECHSA
**** Shell Size**

Shell Size	B Max	C Max	ØF Thread Class 2B	Ø1 Original Thread Class 2A	ØT Max	Oa Min Overlap Accessory
18	30,10	35,00	1" x 20 UNEF	1" x 20 UNEF	31,00	7,00
20	33,00	35,00	1 ¹ / ₈ " x 18 UNEF	1 ³ / ₁₆ " x 18 UNEF	35,00	7,00
22	33,10	35,00	1 ¹ / ₄ " x 18 UNEF	1 ¹ / ₄ " x 18 UNEF	38,00	7,00
24	37,90	40,00	1 ³ / ₈ " x 18 UNEF	1 ⁷ / ₁₆ " x 18 NEF	41,00	7,00
28	37,10	40,00	1 ⁵ / ₈ " x 18 UNEF	1 ⁷ / ₁₆ " x 18 NEF	48,00	7,00
32	43,10	45,00	1 ⁷ / ₈ " x 16 UN	1 ³ / ₄ " x 18 UNS	54,00	7,00
36	45,90	50,00	2 ¹ / ₁₆ " x 16 UNS	2" x 18 UNS	61,00	7,00
40	49,00	54,60	2 ⁵ / ₁₆ " x 16 UN	2 ¹ / ₄ " x 16 UN	67,00	7,00



ABCIRP Electrical Connectors

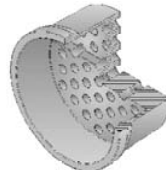
Part Number Explanation

Locking Back Nut



ABBP28LBN

Wire Seal Grommet



ABCIRP2821GPS

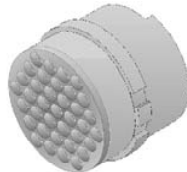
Below is an example of how a complete connector part number is generated from sub-assemblies.

Free Shell Assy.



ABCIRPSE28FS

Pin Insulator with Face Seal

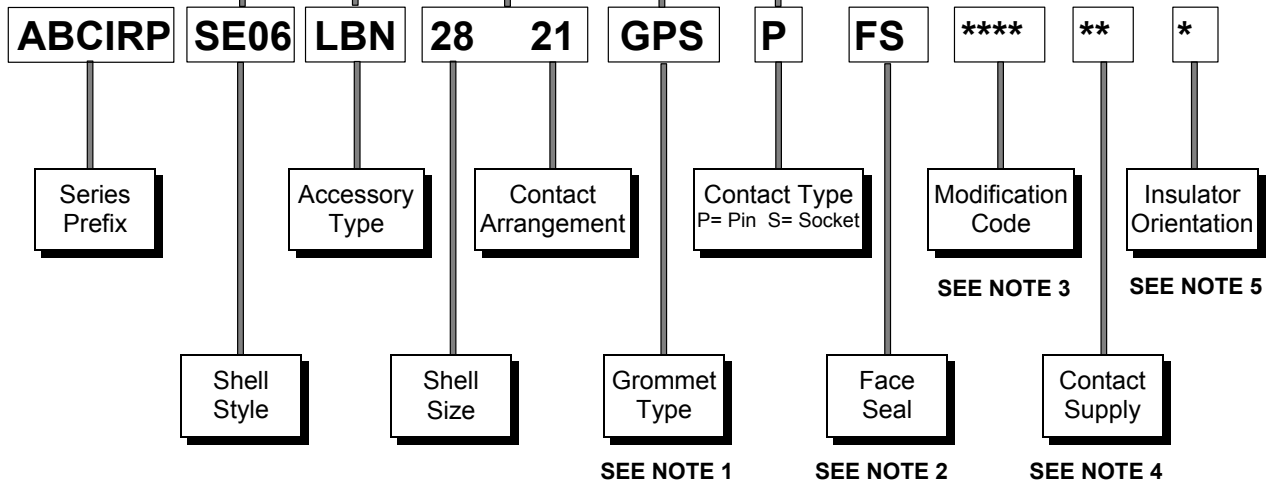


ABCIRP2821PFS

Pin Contact



ABBP16KPKP80



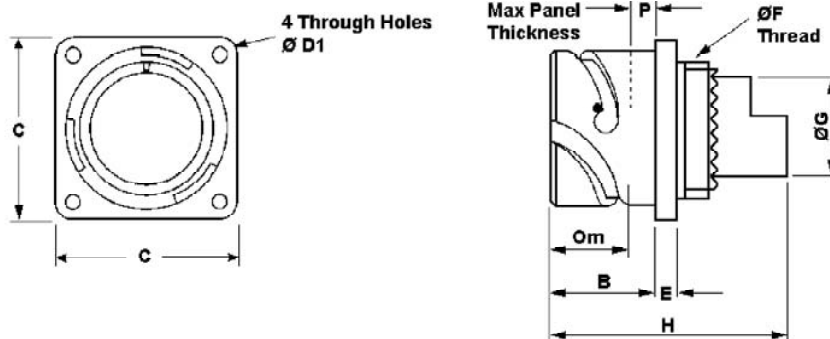
Notes.

- As there is a choice of Wire Seal Grommet to suit varying cable diameters, this component may be omitted from the part number and ordered as separate item if required.
- Pin** insulator only. When face seal is required, add '**FS**' to part number.
- Issued for connector with non-standard feature. Consult factory for detail.
- Leave blank for connectors supplied with silver contacts (size 16 not available with silver plating). Add '**P3**' for gold contacts. Add '**V0**' for connectors supplied without contacts.
- Leave blank for connectors supplied in sub-assembly form. Add applicable orientation letter (see page 20) if connectors are to be supplied factory assembled.



ABCIRP Electrical Connectors

Front or Rear Panel Mounted Receptacle



Note. Maximum panel thickness when using cap head screws.
When using countersunk screws, maximum panel thickness = 7.5 mm.

*Mass value - Connector fully populated with socket contacts.

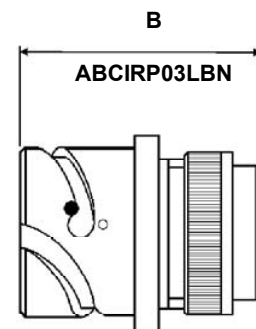
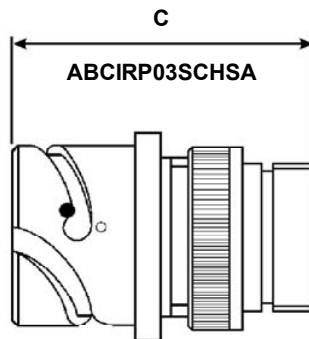
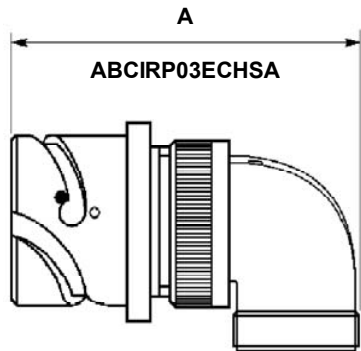
See page 31 for panel mounting details

Shell Size	B Max	C Max	Ød1 +0,2 -0	E Max	ØF Thread Class 2A	ØG	H	P See Note	Om Min Overlap Mated	Mass max. gram*
18	23,45	35,30	3,20	4,20	1" x 20 UNEF	18,30	46,25	3,30	15,85	56
20	23,45	38,30	3,20	4,20	1 ¹ / ₈ " x 18 UNEF	20,50	46,25	3,30	15,85	78
22	23,45	41,30	3,20	4,20	1 ¹ / ₄ " x 18 UNEF	24,60	46,25	3,30	15,75	98
24	23,45	44,80	3,70	4,20	1 ³ / ₈ " x 18 UNEF	27,00	46,25	3,30	15,75	122
28	24,45	51,10	3,70	4,20	1 ⁵ / ₈ " x 18 UNEF	32,50	46,25	3,30	15,75	168
32	24,45	57,30	4,30	4,20	1 ⁷ / ₈ " x 16 UN	35,80	46,25	3,30	15,75	176
36	24,45	63,80	4,30	4,20	2 ¹ / ₁₆ " x 16 UNS	42,50	46,25	3,30	15,75	238
40	24,45	70,20	4,30	4,20	2 ⁵ / ₁₆ " x 16 UN	48,50	46,25	3,30	15,75	300



ABCIRP Electrical Connectors

Receptacle Connector Assemblies

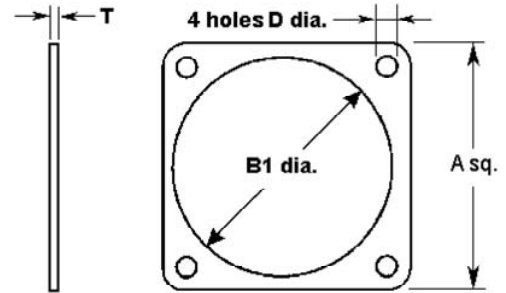
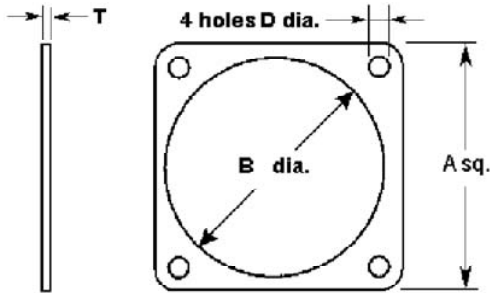


Shell Size	A	B	C
18	77,45	60,65	65,05
20	82,70	60,65	68,55
22	82,80	60,65	68,55
24	90,80	59,65	68,55
28	91,80	59,65	68,55
32	99,95	59,65	68,55
36	105,90	59,65	69,55
40	112,20	59,65	69,55



ABCIRP Electrical Connectors

Panel Gasket, Non-conductive / Conductive Front & Rear Mounted Connectors



Front Mounted Receptacle ABCIRP03T

Part Number:
Non-Conductive- SB - ** - RPG
Conductive- SB - ** - RPGS

** - Shell Size

Rear Mounted Receptacle ABCIRP03T

Part Number:
Non-Conductive- SB - ** - FPG
Conductive- SB - ** - FPGS

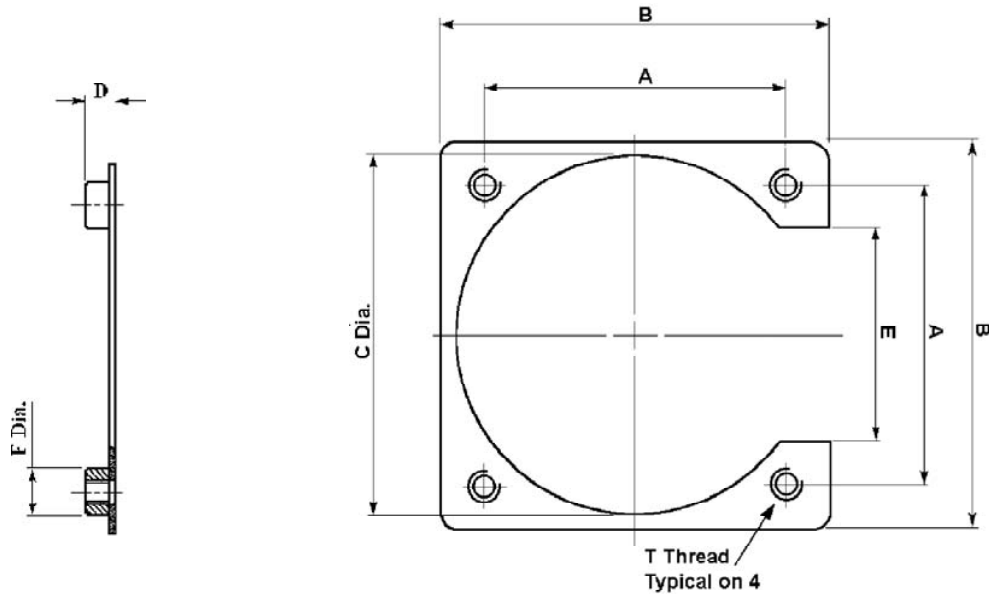
** - Shell Size

Shell Size	A Min	ØB Nominal	ØB1 Nominal	Ød Min	T Nominal
18	34,90	25,40	30,90	3,43	1,00
20	38,10	28,60	34,30	3,43	1,00
22	41,30	31,70	37,50	3,43	1,00
24	44,50	34,90	41,00	4,12	1,00
28	50,80	41,3	46,80	4,12	1,00
32	57,20	47,60	53,50	4,78	1,00
36	63,50	52,60	59,70	4,78	1,00
40	69,90	61,90	65,50	5,10	1,00



ABCIRP Electrical Connectors

Connector Fixing Plates



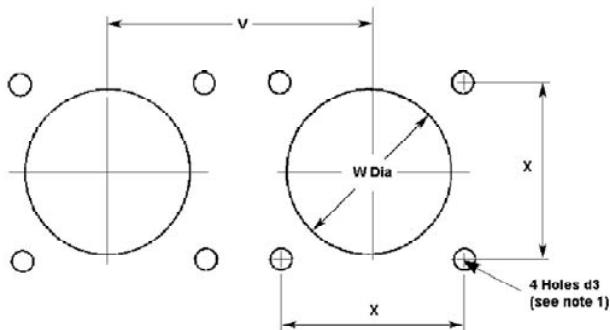
Shell Size	A	B Max	C Dia. Max	D	E Max	F Dia. Max	T Thread	Part Number	T Thread	Part Number
18	26,97	34,62	30,48	2,69/4,22	20,21	6,00	M3 x 0,5	ABB18NP	4 - 40 UNC	ABB18NPA
20	29,36	38,48	33,53	2,69/4,22	22,47	6,00	M3 x 0,5	ABB20NP	4 - 40 UNC	ABB20NPA
22	31,75	40,84	36,65	2,69/4,22	23,54	6,00	M3 x 0,5	ABB22NP	4 - 40 UNC	ABB22NPA
24	34,93	44,83	40,00	2,69/4,22	25,90	7,50	M3 x 0,5	ABB24NP	4 - 40 UNC	ABB24NPA
28	39,67	51,18	46,61	2,69/4,22	29,08	7,50	M3 x 0,5	ABB28NP	4 - 40 UNC	ABB28NPA
32	44,45	59,10	52,75	3,50/5,00	30,68	8,00	M4 x 0,7	ABB32NP	8 - 32 UNC	ABB32NPA
36	49,23	63,86	59,10	3,50/5,00	35,43	8,00	M4 x 0,7	ABB36NP	8 - 32 UNC	ABB36NPA
40	55,58	74,68	68,33	3,50/5,00	38,60	8,00	M4 x 0,7	ABB40NP	8 - 32 UNC	ABB40NPA



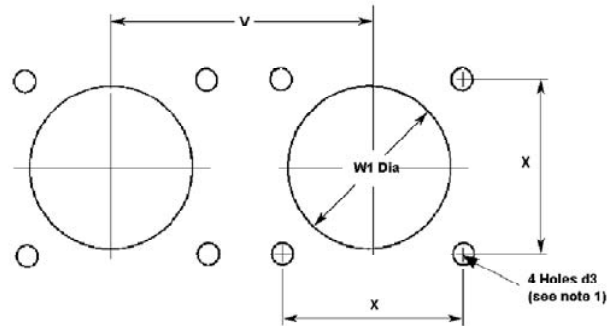
ABCIRP Electrical Connectors

Receptacle Mounting Detail

Front Mounting Receptacle



Rear Mounting Receptacle



Note 1.

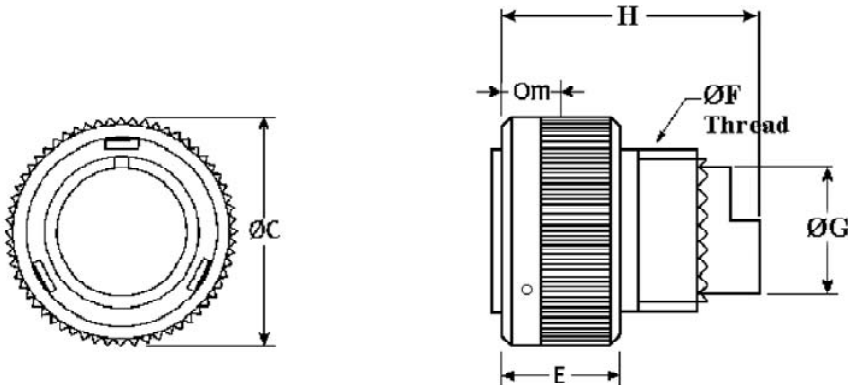
When fixed connectors are used with threaded mounting holes, refer to hole sizes in column Ød4.

Shell Size	Ød3	Ød4	V	ØW	ØW1	X
18	3,40	4,50	38,30	26,00	31,18	27,00
20	3,40	4,50	41,70	30,00	34,58	29,40
22	3,40	4,50	45,20	33,00	37,78	31,80
24	3,90	4,50	48,70	36,00	41,28	34,90
28	3,90	5,50	55,50	42,00	47,08	39,70
32	4,50	5,50	62,40	48,50	53,78	44,50
36	4,50	5,50	69,00	55,00	59,98	49,20
40	4,50	5,50	75,00	59,10	66,4	55,50



ABCIRP Electrical Connectors

Plug Connector



Note.
All plug connectors are EMI/RFI
versions.

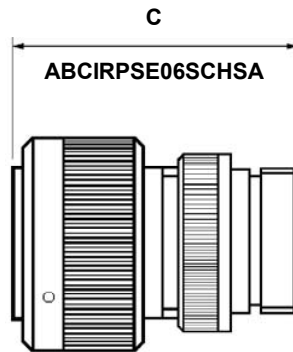
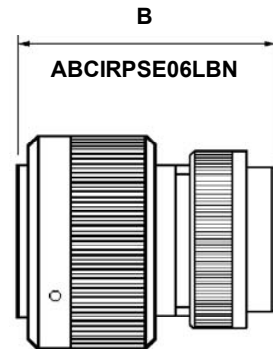
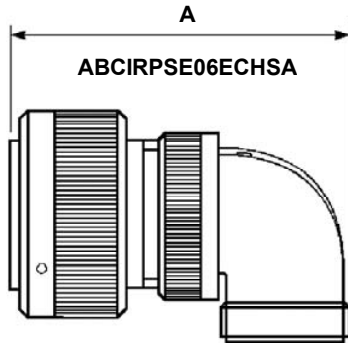
*Mass value - connector fully populated
with socket contacts

Shell Size	C Max	E Max	$\varnothing F$ Thread Class 2A	$\varnothing G$	H	Om Min Overlap Mated	Mass Max. gram*
18	37,30	24,00	1" x 20 UNEF	18,30	46,25	15,85	71
20	40,70	24,00	1 $\frac{1}{8}$ " x 18 UNEF	20,50	46,25	15,85	84
22	44,20	24,00	1 $\frac{1}{4}$ " x 18 UNEF	24,60	46,25	15,85	108
24	47,70	24,00	1 $\frac{3}{8}$ " x 18 UNEF	27,00	46,25	15,75	127
28	54,50	24,00	1 $\frac{5}{8}$ " x 18 UNEF	32,50	46,25	15,75	178
32	61,40	27,00	1 $\frac{7}{8}$ " x 16 UN	35,80	46,25	15,75	187
36	68,00	27,00	2 $\frac{1}{16}$ " x 16 UNS	42,50	46,25	15,75	234
40	74,00	27,00	2 $\frac{5}{16}$ " x 16 UN	48,50	46,25	15,75	298



ABCIRP Electrical Connectors

Plug Connector Assemblies

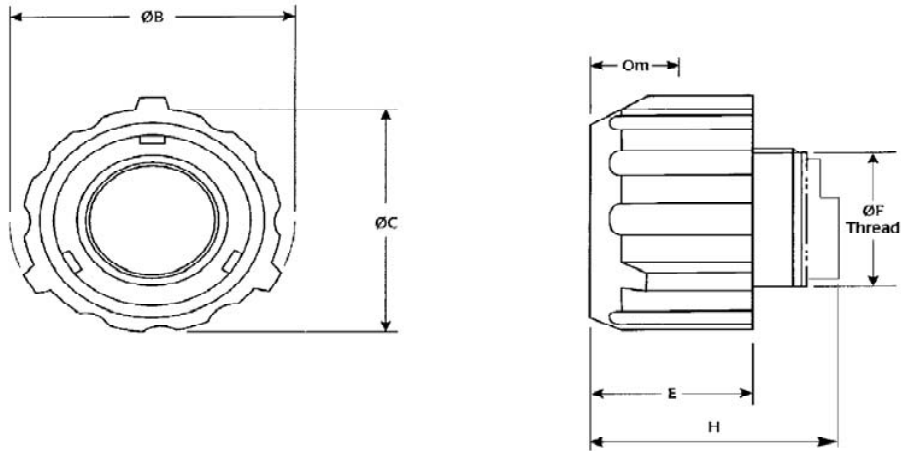


Shell Size	A	B	C
18	71,85	55,05	59,45
20	76,80	55,05	62,95
22	77,20	55,05	62,95
24	85,20	54,05	62,95
28	84,40	54,05	62,95
32	94,35	54,05	62,95
36	100,30	54,05	63,55
40	106,60	54,05	63,55



ABCIRP Electrical Connectors

Plug Connector with Protective Rubber Ring



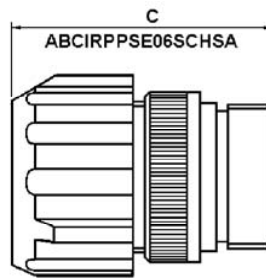
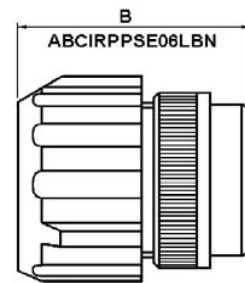
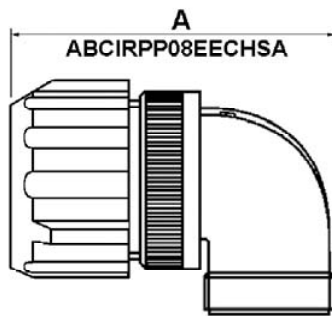
Note.
All plug connectors are EMI/RFI
versions.

Shell Size	B Max	C Max	E Max	F Thread Dia. Class 2A	H Max	Om Min Overlap Mated
18	49,00	43,50	27,10	1" x 20 UNEF	46.82	17,85
20	51,50	46,00	27,10	1 ¹ / ₈ " x 18 UNEF	46.82	17,85
22	56,00	50,50	27,10	1 ¹ / ₄ " x 18 UNEF	46.82	17,85
24	60,00	54,00	27,10	1 ³ / ₈ " x 18 UNEF	46.82	17,75
28	67,00	61,00	27,10	1 ⁵ / ₈ " x 18 UNEF	46.82	17,75
32	76,00	67,60	27,10	1 ⁷ / ₈ " x 16 UN	46.82	17,75
36	82,30	74,30	27,10	2 ¹ / ₁₆ " x 16 UNS	46.82	17,75
40	88,00	80,00	27,10	2 ⁵ / ₁₆ " x 16 UN	46.82	17,75



ABCIRP Electrical Connectors

Plug Connector Assemblies

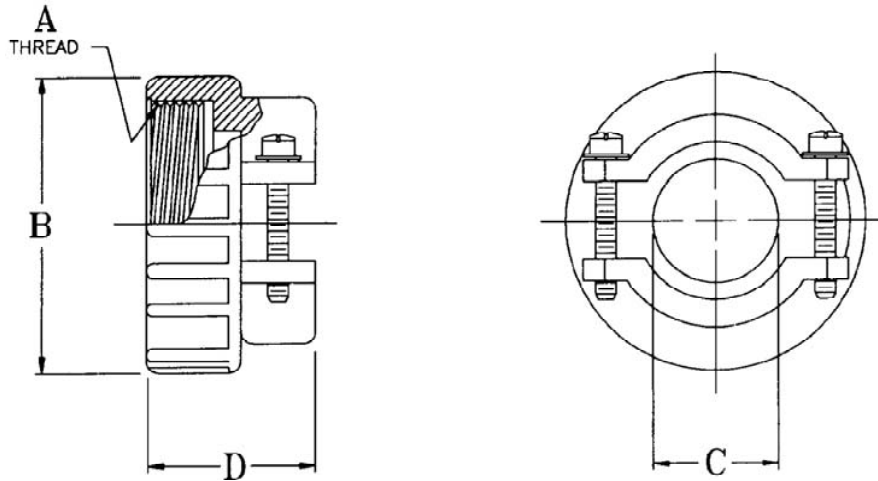


Shell Size	A	B	C
18	73,00	65,50	66,13
20	78,00	65,50	68,70
22	78,00	65,50	68,70
24	86,00	64,50	68,70
28	85,00	64,50	68,70
32	95,00	64,50	68,70
36	101,30	64,50	68,70
40	108,00	64,50	68,70



ABCIRP Electrical Connectors

Cable Clamp

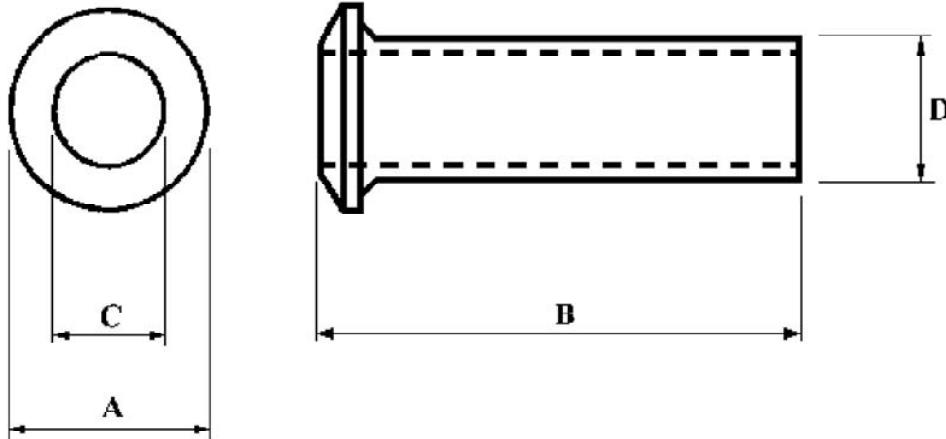


Shell Size	Part Number	A Thread Dia. Class 2A	B Max	C Max	D Max
18	CMSP3057A18M32	1" x 20 UNEF	30,96	15,88	24,61
20	CMSP3057A20M32	1 ³ / ₁₆ " x 18 UNEF	35,71	19,05	24,61
22	CMSP3057A22M32	1 ³ / ₁₆ " x 18 UNEF	35,71	19,05	24,61
24	CMSP3057A22M32	1 ⁷ / ₁₆ " x 18 UNEF	42,85	23,83	26,97
28	CMSP3057A28M32	1 ⁷ / ₁₆ " x 18 UNEF	42,85	23,83	26,97
32	CMSP3057A32M32	1 ³ / ₄ " x 18 UNS	52,37	31,75	28,58
36	CMSP3057A36M32	2" x 18 UNS	57,15	34,93	30,15
40	CMSP3057A40M32	2 ¹ / ₄ " x 16 UN	64,29	41,28	43,66



ABCIRP Electrical Connectors

Telescopic Bushing (Use With CMSP 3057A Clamp)



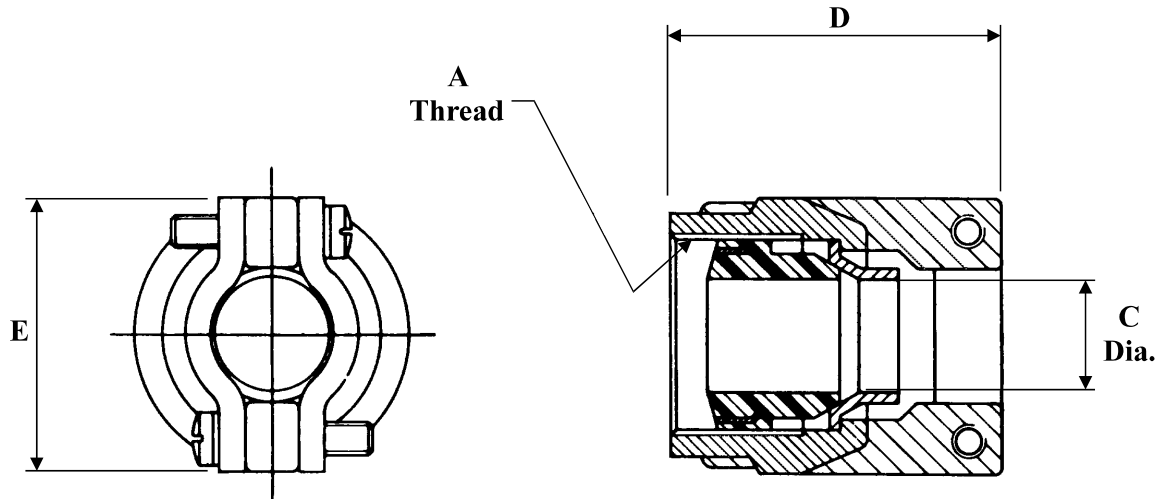
Note.
The bushings can fit inside one another to reduce the cable entry diameter to improve clamping and sealing.

Shell Size	Part Number	ØA	B	ØC	ØD
18	SBMSH5544	22,23	60,33	14,27	15,57
20	SBMSH5545	25,40	57,15	15,88	18,75
22	SBMSH5546	28,58	57,15	15,88	18,75
24	SBMSH5547	31,75	53,98	19,05	23,50
28	SBMSH5548	38,23	53,98	19,05	23,50
32	SBMSH5549	44,45	50,80	23,80	31,45
36	SBMSH55410	47,88	47,63	31,75	34,62
40	SBMSH55411	52,90	44,40	34,92	40,99



ABCIRP Electrical Connectors

Water Proof Clamp for Jacketed Clamp

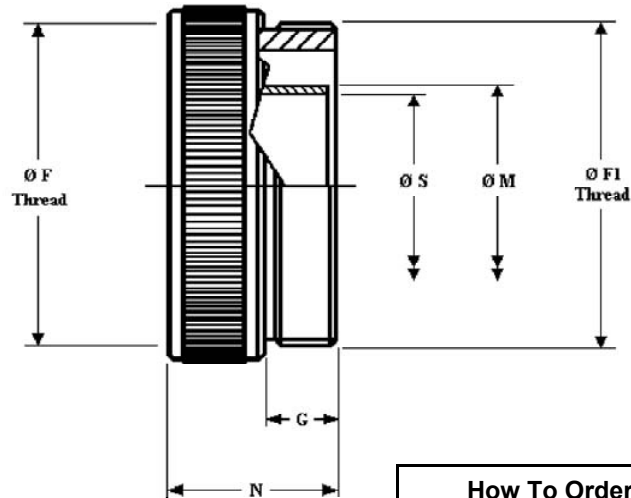
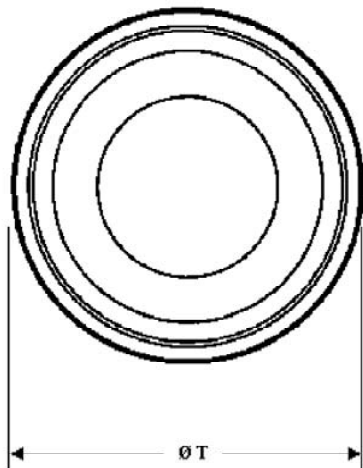


Shell Size	AB Connectors Part Number	A Thread Dia. Class 2A	C Dia.		D Max	E Max
			Min	Max		
18	CMSP3057C18M32	1" x 20 UNEF	9,53	15,87	36,50	33,32
20	CMSP3057C20M32	1 ³ / ₁₆ " x 18 UNEF	12,70	19,00	36,50	39,21
22	CMSP3057C22M32	1 ³ / ₁₆ " x 18 UNEF	12,70	19,00	36,50	39,21
24	CMSP3057C24M32	1 ⁷ / ₁₆ " x 18 UNEF	15,09	23,80	39,67	44,45
28	CMSP3057C28M32	1 ⁷ / ₁₆ " x 18 UNEF	15,09	23,80	39,67	44,45
32	CMSP3057C32M32	1 ³ / ₄ " x 18 UNS	23,83	31,75	46,02	57,15
36	CMSP3057C36M32	2" x 18 UNS	24,61	35,00	52,37	60,33
40	CMSP3057C40M32	2 ¹ / ₄ " x 16 UN	30,18	41,25	52,37	66,68



ABCIRP Electrical Connectors

To Terminate Cable Screen Braid to Connector with Conduit Outer



Note.

This accessory can only be used in conjunction with style SCHSA or ECHSA adaptor.

How To Order:

ABB ** CRA M32

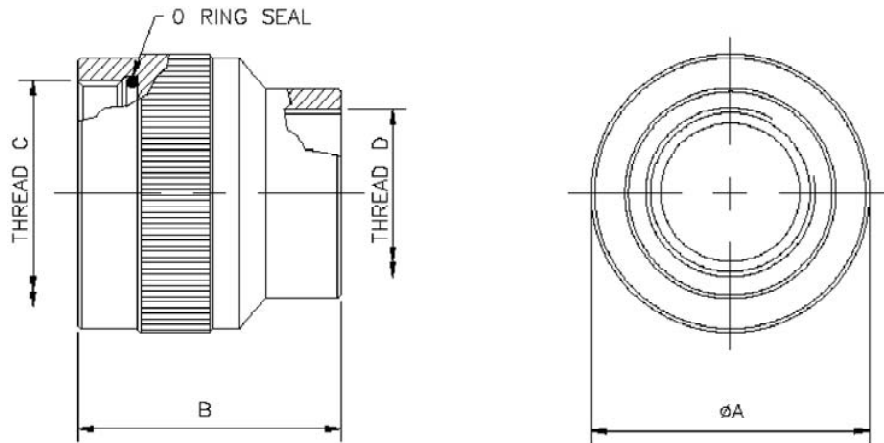
** Shell Size

Shell Size	F Thread Dia. Class 2B	F1 Thread Dia. Class 2A	G Max	N Max	S Min	T Max	M Max
18	1" x 20 UNEF	1 ³ / ₁₆ " x 18 UNEF	11,00	30,60	12,90	29,10	16,26
20	1 ³ / ₁₆ " x 18 UNEF	1 ⁷ / ₁₆ " x 18 UNEF	11,00	30,60	18,23	35,45	21,51
22	1 ³ / ₁₆ " x 18 UNEF	1 ⁷ / ₁₆ " x 18 UNEF	11,00	30,60	18,23	35,45	21,51
24	1 ⁷ / ₁₆ " x 18 UNEF	1 ³ / ₄ " x 18 UNS	11,00	30,60	25,93	43,60	29,21
28	1 ⁷ / ₁₆ " x 18 UNEF	1 ³ / ₄ " x 18 UNS	11,00	30,60	25,93	43,60	29,21
32	1 ³ / ₄ " x 18 UNS	1 ³ / ₄ " x 18 UNS	13,00	30,60	25,93	49,55	29,10
36	2" x 18 UNS	2" x 18 UNS	13,00	30,60	32,00	55,90	35,19
40	2 ¹ / ₄ " x 16 UN	2 ¹ / ₄ " x 16 UN	13,00	30,60	32,33	63,10	35,60



ABCIRP Electrical Connectors

Cable Gland Adaptors Fitting on SCHSA & ECHSA Accessory

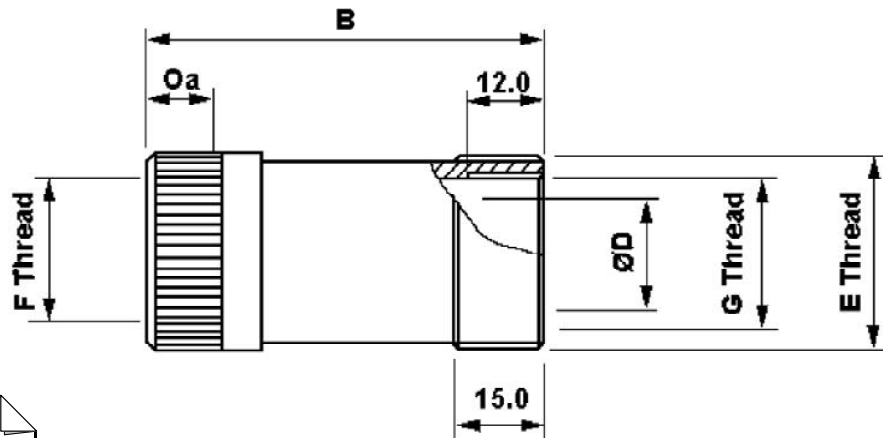
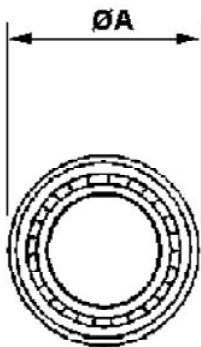


Part Number	Shell Size	Ø A	B	Thread C	Thread D PG / METRIC
<i>ABB-18-PGA-FM32</i> ABB-18-MGA-FM32	18	34,0	40,00	1" x 20 UNEF	<i>PG 16</i> M25 X 1,5
<i>ABB-20-PGA-EM32</i> ABB-20-MGA-EM32	20 - 22	37,0	35,00	1 ³ / ₁₆ " x 18 UNEF	<i>PG 21</i> M32 X 1,5
<i>ABB-20-PGA-GM32</i> ABB-20-MGA-GM32	20 - 22	43,0	40,00	1 ³ / ₁₆ " x 18 UNEF	<i>PG 29</i> M32 X 1,5
<i>ABB-24-PGA-FM32</i> ABB-24-MGA-FM32	24 --28	43,0	40,00	1 ⁷ / ₁₆ " x 18 UNEF	<i>PG 21</i> M32 X 1,5
<i>ABB-24-PGA-GM32</i> ABB-24-MGA-GM32	24 - 28	43,0	40,00	1 ⁷ / ₁₆ " x 18 UNEF	<i>PG 29</i> M32 X 1,5
<i>ABB-24-PGA-HM32</i> ABB-24-MGA-HM32	24 - 28	54,0	46,00	1 ⁷ / ₁₆ " x 18 UNEF	<i>PG 36</i> M40 X 1,5
<i>ABB-32-PGA-HM32</i> ABB-32-MGA-HM32	32	54,0	38,00	1 ³ / ₄ " x 18 UNS	<i>PG 36</i> M40 X 1,5
<i>ABB-36-PGA-HM32</i> ABB-36-MGA-H32	36	57,2	50,00	2" x 18 UNS	<i>PG 36</i> M40 X 1,5
<i>ABB-40-PGA-JM32</i> ABB-40-MGA-JM32	40	65,0	51,00	2 ¹ / ₄ " x 16 UN	<i>PG 42</i> M63 X 1,5



ABCIRP Electrical Connectors

Step-up Adaptors - Metric / PG Inner Thread Imperial Outer Thread



How To Order:

ABBH ** ** SUA #

** Shell Size & Planform

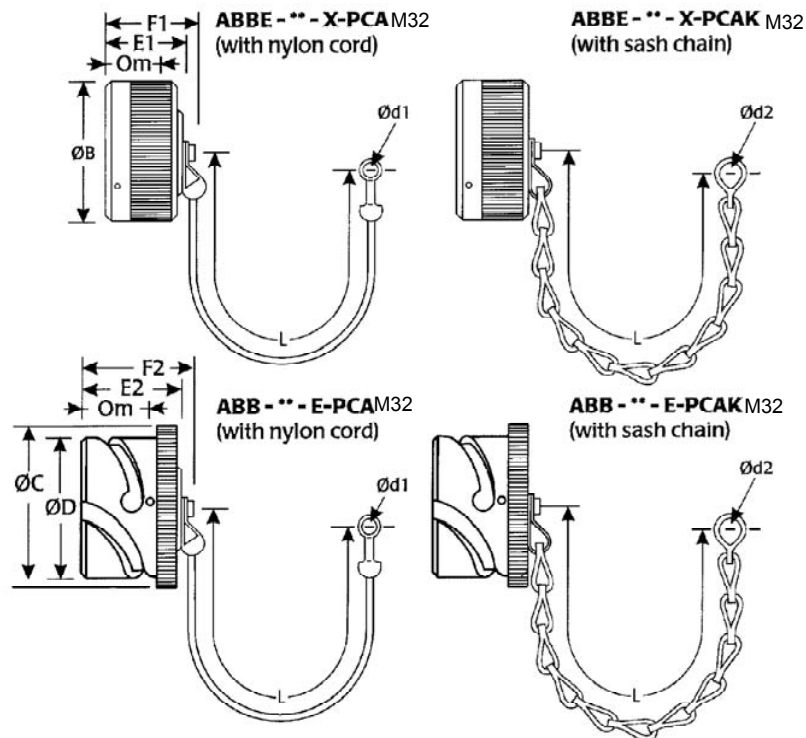
M = Metric, P = PG

Shell Size	F Thread Class 2B	E Thread Class 2A	G Thread		ØA (Max)	B	ØD Bore	Overlap Oa Min
			Metric	PG				
18	1" x 20 UNEF	1 ³ / ₁₆ " x 18 UNEF	M25 x 1.5	PG16	31.0	58.8	16.7	7.0
20	1 ³ / ₁₆ " x 18 UNEF	1 ⁷ / ₁₆ " x 18 UNEF	M32 x 1.5	PG21	35.0	58.8	19.8	7.0
22	1 ³ / ₁₆ " x 18 UNEF	1 ⁷ / ₁₆ " x 18 UNEF	M32 x 1.5	PG21	38.0	58.8	19.8	7.0
24	1 ⁷ / ₁₆ " x 18 UNEF	1 ³ / ₄ " x 18 UNS	M40 x 1.5	PG29	41.0	58.8	25.4	7.0
28	1 ⁷ / ₁₆ " x 18 UNEF	1 ³ / ₄ " x 18 UNS	M40 x 1.5	PG29	48.0	65.8	27.0	7.0
32	1 ³ / ₄ " x 18 UNS	1 ³ / ₄ " x 18 UNS	M40 x 1.5	PG29	54.0	65.8	32.5	7.0
36	2" x 18 UNS	2" x 18 UNS	M50 x 1.5	PG36	61.0	65.8	35.7	7.0
40	2 ¹ / ₄ " x 16 UN	2 ¹ / ₄ " x 16 UN	M50 x 1.5	PG42	67.0	65.8	45.0	7.0



ABCIRP Electrical Connectors

Metal Protective Caps



Shell Size	B Max	C Max	D Max	E1 Max	E2 Max	F1 Max	F2 Max	L approx. See note	d1 Min	d2 +0.5, -0 +0.02, -0	Om Min Overlap Mated
18	36,50	38,70	30,80	24,00	27,30	29,80	33,90	150,00	4,85	4,30	15,85
20	39,90	42,10	34,20	24,00	27,30	29,80	33,90	150,00	4,85	4,30	15,85
22	43,10	45,30	37,40	24,00	27,30	29,80	33,90	150,00	4,85	4,30	15,75
24	46,60	48,80	40,90	24,00	27,30	29,80	33,90	150,00	4,85	4,30	15,75
28	53,40	54,60	46,70	24,00	27,30	29,80	33,90	150,00	4,85	4,30	15,75
32	60,10	61,30	53,40	27,00	27,30	29,80	33,90	150,00	4,85	5,50	15,75
36	66,30	67,50	59,60	27,00	27,30	29,80	33,90	150,00	4,85	5,50	15,75
40	72,10	73,40	65,50	27,00	27,30	29,80	33,90	150,00	4,85	5,50	15,75



ABCIRP Electrical Connectors

Product Safety

The connectors referred to in this catalogue may be safely used within the special ratings and environment for which they have been designed. However, they comprise a complex build of different materials including metals and plastics which themselves are plated and cleaned with various chemical compounds during the assembly process. It is important to understand that hazards can occur if connectors are used:-

1. Outside the specified design criteria and/or incorrectly integrated into equipment.
2. When damaged in use, assembly, transit or storage.
3. Incorrectly wired or assembled.
4. Where the quality of installation is below the standard required to maintain and uphold good practice.
5. Where good housekeeping is not observed during use, assembly, transit or storage and allowing contamination from debris and fluids etc.

Safety Rules

1. Ensure all conductors & wires are capable of withstanding the electrical and environmental conditions of the application.
2. Always use the correct tools for cables, contacts and connectors.
3. Make circuit resistance checks before making a circuit live.
4. Always protect line circuits and **never** demate a live connector.
5. Never use a damaged connector.
6. Never burn discarded connectors or cable.
7. **IF IN DOUBT ASK.**

NB: Electrical safety factors are the responsibility of the user.

Note. This publication is issued to provide outline information only and (unless specifically agreed to the contrary by the company in writing) is not to form part of any order or contract or be regarded as a representation relating to the products or services concerned. The company reserves the right and may change or vary specification without prior written notice.

U.K. Headquarters

AB Connectors Limited
Abercynon
Mountain Ash
Mid Glamorgan
CF45 4SF
U.K.

Tel. # 44 (0) 1443 740331
Fax. # 44 (0) 1443 741676

Internet - <http://www.ttabconnectors.com>
E-mail - sales@ttabconnectors.com

A subsidiary of TT electronics plc

U.S.A. Manufacturing & Sales

AB Connectors Division
Business US 70 East
Smithfield NC 27577
U.S.A.

Tel.: 919 934 5181
Fax.: 919 934 0652

E-mail -
abconnectors@abautomotiveusa.com

A subsidiary of TT electronics plc

France & Belgium Sales

AB Connectors - TT Electronics
17 rue du Kéfir, SENIA 418,
94567 ORLY CEDEX
France

Tel.: # 33 (0) 1 46 87 38 89

Fax.: # 33 (0) 1 46 87 40 38
Mobile: #33 (0) 6 80 05 57 69

E-mail -
bruno.fromentin@ttabconnectors.com

A subsidiary of TT electronics plc

Global Presence



The world's demand for electronics is increasing as new technologies, with a higher dependence on complex components, are being adopted by a broader customer base. This growth provides TT electronics an assured future as we focus on efforts to deliver excellence in customer service and quality products to these markets. From our strong UK base, the company has achieved truly global reach. We have established technical and manufacturing facilities in strategic countries maintaining the successful formula of close liaison with our customers in all major overseas markets.

In addition, through strategic relationships with Original Equipment Manufacturers around the world, we are now in the enviable position where we gain double benefit - from growth in their markets and from the increase in the electronic content of end products.

Information on TT electronics companies can be found by contacting:-

Head Office:

TT electronics plc
Clive House
12 - 18 Queens Road
Weybridge
Surrey
KT13 9XB
UK

Tel: +44 (0) 1932 841310
Fax: +44 (0) 1932 836450

Email: info@ttelelectronics.com
Web: www.ttelelectronics.com



9100

AB Connectors Limited

Abercynon, Mountain Ash,
Rhondda Cynon Taff, CF45 4SF, UK.

Telephone: + 44(0) 1443 740331
Facsimile: + 44(0) 1443 741676
Email: sales@ttabconnectors.com
Website: www.ttabconnectors.com

AB Interconnect Inc.

PO Box 2240, 2500 Business Highway 70 East,
Smithfield, NC 27577, USA.

Telephone: + (1)919 934 5181
Facsimile: + (1)919 934 0652
Email: sales@abinterconnect.com
Website: www.abinterconnect.com

AB Connectors (Suzhou) Limited

158-29 Huashan Road, Feng Qiao Ind. Park,
Suzhou, Jiang Su Province, China 215129

Telephone: + 86 512 6661 1004
Facsimile: + 86 512 6661 3261 880
Email: sales@ttabconnectors.com
Website: www.ttabconnectors.com



AB Connectors Limited

A Subsidiary of TT electronics plc

