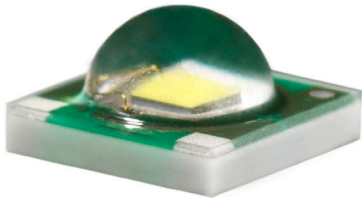


# Cree® XLamp® XM-L LEDs



## PRODUCT DESCRIPTION

The XLamp XM-L LED is the industry's highest performance, single-die white lighting-class LED. XLamp XM-L is 20% more efficient than XLamp XP-G at the same current, and can deliver 1000 lumens with 100 lumens per Watt efficacy. The XLamp XM-L LED offers Cree's industry-leading features: wide viewing angle, symmetrical package, unlimited floor life and electrically neutral thermal path.

XLamp XM-L LEDs can enable LED light into new applications that require tens of thousands of lumens, such as high bay and high-output area lighting. XM-L is also the ideal choice for lighting applications where high light output and maximum efficacy are required, such as LED light bulbs, outdoor lighting, portable lighting, indoor lighting and solar-powered lighting.

## FEATURES

- Maximum drive current: 3000 mA
- Low thermal resistance: 2.5°C/W
- Maximum junction temperature: 150°C
- Viewing angle: 125°
- Available in cool white
- ANSI-compatible chromaticity bins
- Unlimited floor life at  $\leq 30^{\circ}\text{C}/85\% \text{ RH}$
- Reflow solderable - JEDEC J-STD-020C
- Electrically neutral thermal path

## TABLE OF CONTENTS

|  |    |
|--|----|
| Flux Characteristics.....                    | 2  |
| Characteristics .....                        | 2  |
| Relative Spectral Power Distribution.....    | 3  |
| Relative Flux vs. Junction Temperature ..... | 3  |
| Electrical Characteristics.....              | 4  |
| Thermal Design .....                         | 4  |
| Relative Flux vs. Current .....              | 5  |
| Typical Spatial Distribution.....            | 5  |
| Reflow Soldering Characteristics ..          | 6  |
| Notes.....                                   | 7  |
| Mechanical Dimensions.....                   | 8  |
| Tape and Reel .....                          | 9  |
| Packaging.....                               | 10 |

## FLUX CHARACTERISTICS (T<sub>J</sub> = 25°C)

The following table provides several base order codes for XLamp XM-L LEDs. It is important to note that the base order codes listed here are a subset of the total available order codes for the product family. For more order codes, as well as a complete description of the order-code nomenclature, please consult the XLamp XM-L Binning and Labeling document.

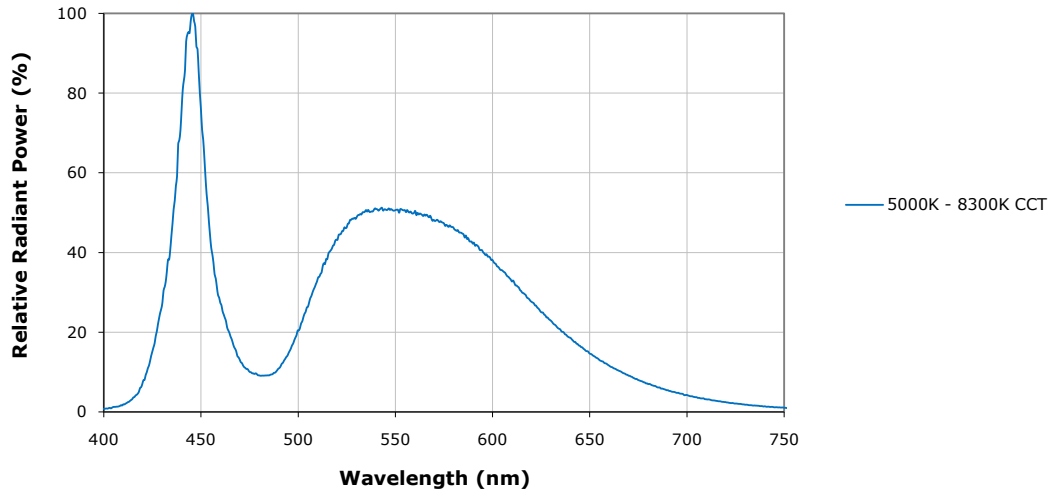
| Color      | CCT Range |         | Base Order Codes<br>Min Luminous Flux @<br>700 mA (lm) |           | Order Code               |
|------------|-----------|---------|--|-----------|--------------------------|
|            | Min.      | Max.    | Group  | Flux (lm) |                          |
| Cool White | 5,000 K   | 8,300 K | T5   | 260       | XMLAWT-00-0000-0000T5051 |
|            |           |         | T6   | 280       | XMLAWT-00-0000-0000T6051 |

Note: Cree maintains a tolerance of +/- 7% on flux and power measurements.

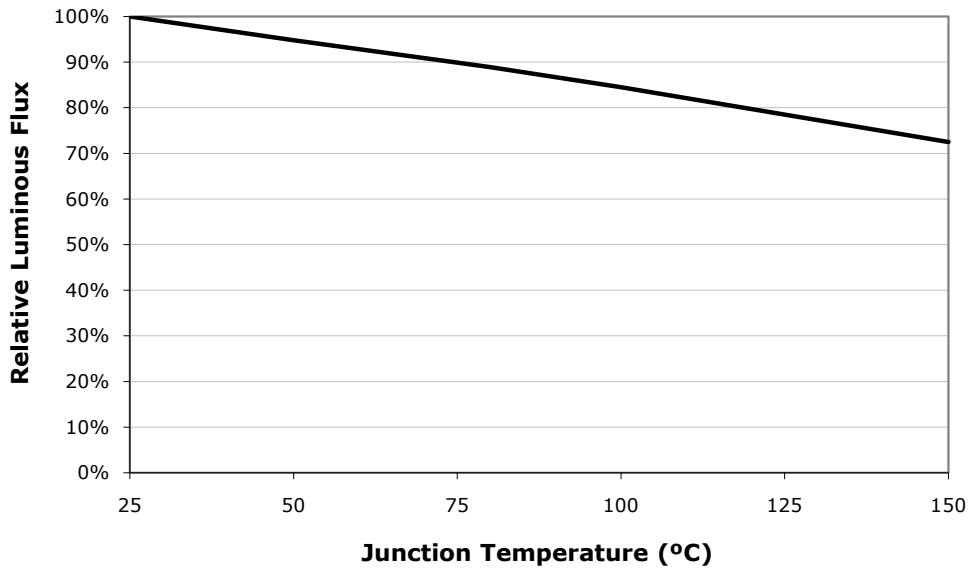
## CHARACTERISTICS

| Characteristics                              | Unit    | Minimum | Typical | Maximum |
|--|---------|---------|---------|---------|
| Thermal Resistance, junction to solder point | °C/W    |         | 2.5     |         |
| Viewing Angle (FWHM)                         | degrees |         | 125     |         |
| Temperature coefficient of voltage           | mV/°C   |         | -3.0    |         |
| ESD Classification (HBM per Mil-Std-883D)    |         |         | Class 2 |         |
| DC Forward Current                           | mA      |         |         | 3000    |
| Reverse Voltage                              | V       |         |         | 5       |
| Forward voltage (@ 700 mA)                   | V       |         | 2.9     | 3.5     |
| Forward voltage (@ 1500 mA)                  | V       |         | 3.1     |         |
| Forward voltage (@ 3000 mA)                  | V       |         | 3.35    |         |
| LED Junction Temperature                     | °C      |         |         | 150     |

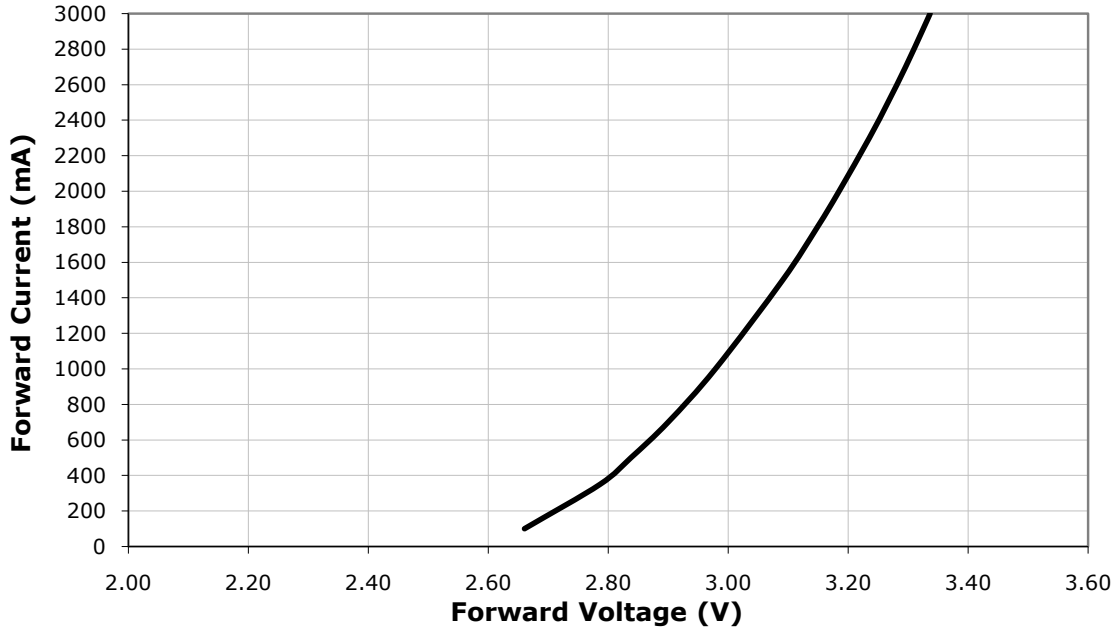
**RELATIVE SPECTRAL POWER DISTRIBUTION**



**RELATIVE FLUX VS. JUNCTION TEMPERATURE ( $I_F = 700 \text{ MA}$ )**

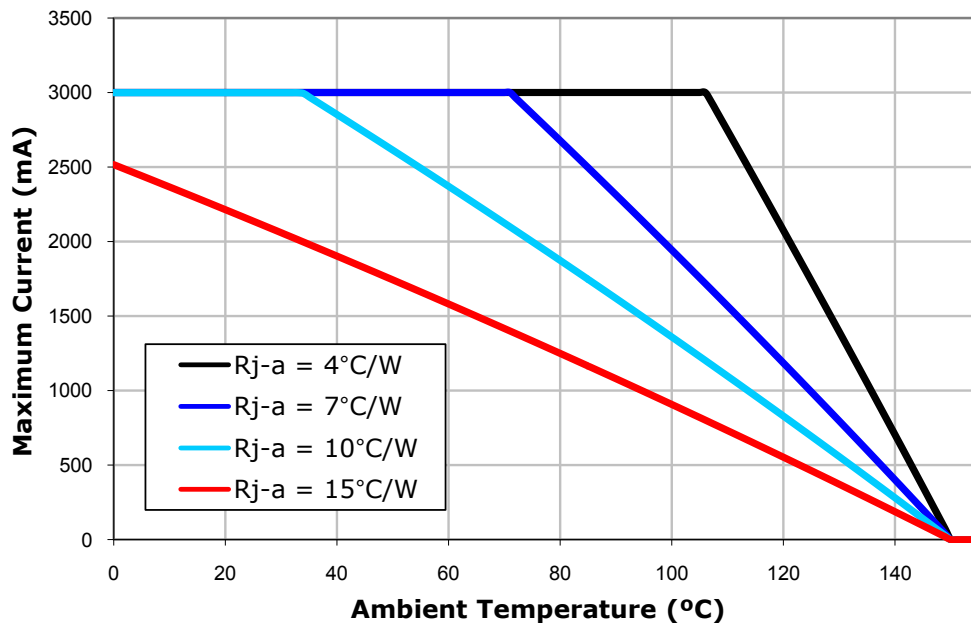


**ELECTRICAL CHARACTERISTICS (T<sub>j</sub> = 25°C)**

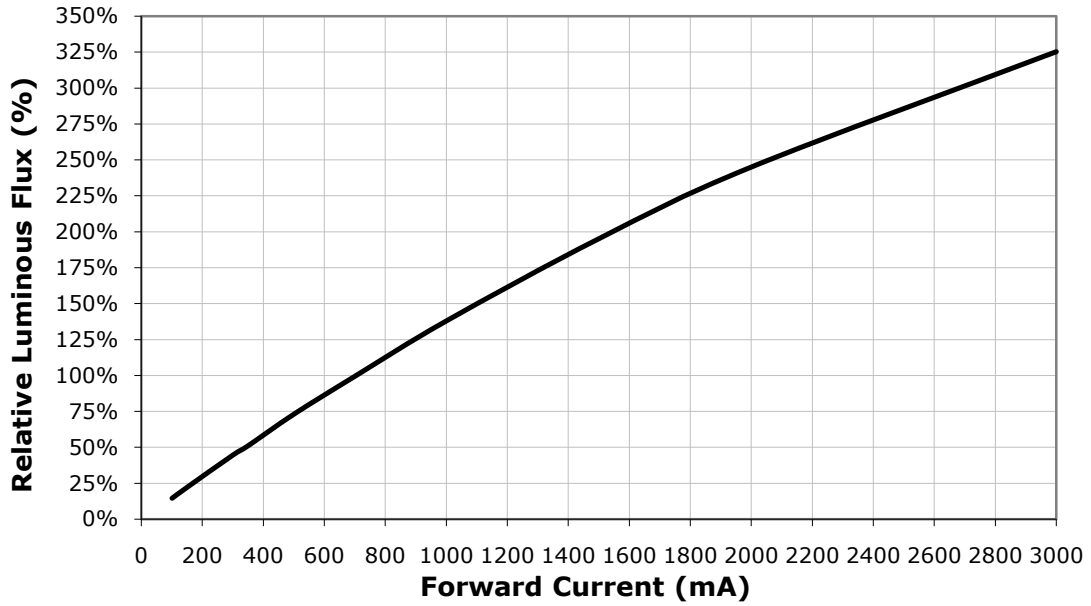


**THERMAL DESIGN**

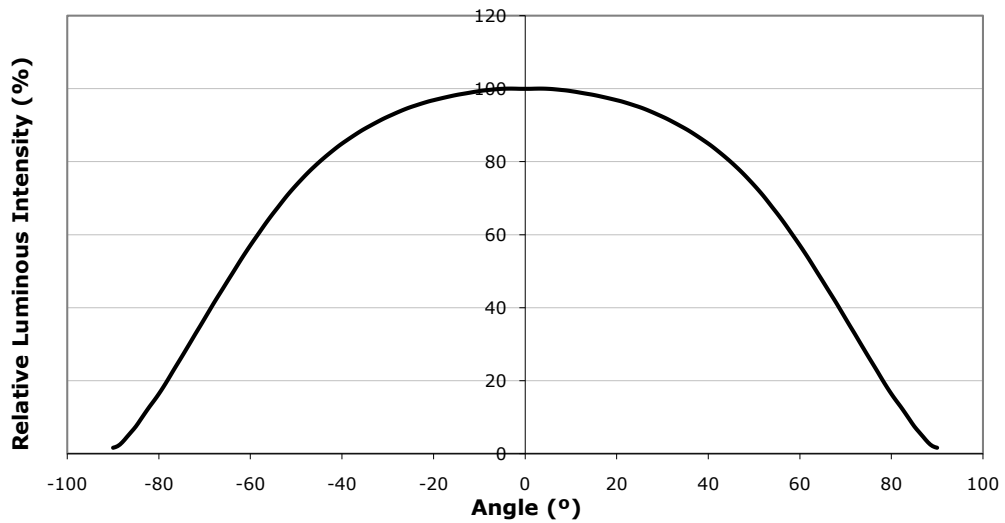
The maximum forward current is determined by the thermal resistance between the LED junction and ambient. It is crucial for the end product to be designed in a manner that minimizes the thermal resistance from the solder point to ambient in order to optimize lamp life and optical characteristics.



**RELATIVE FLUX VS. CURRENT ( $T_j = 25^\circ\text{C}$ )**



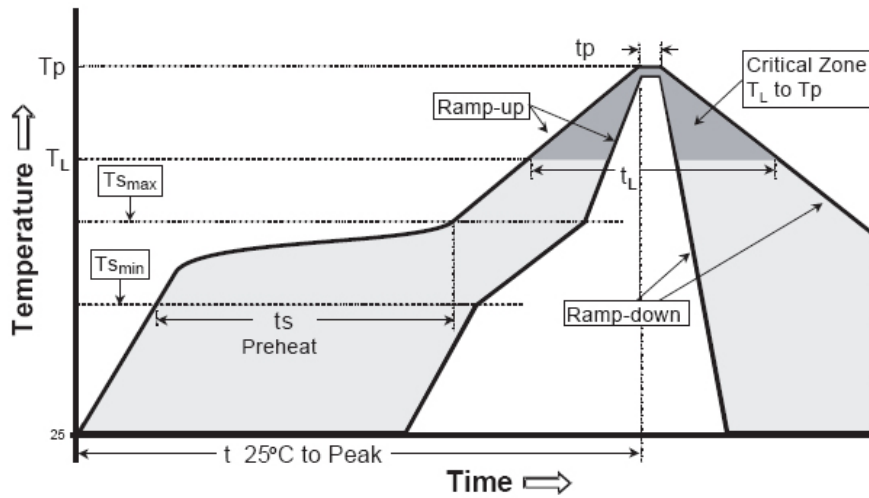
**TYPICAL SPATIAL DISTRIBUTION**



## REFLOW SOLDERING CHARACTERISTICS

In testing, Cree has found XLamp XM-L LEDs to be compatible with JEDEC J-STD-020C, using the parameters listed below. As a general guideline, Cree recommends that users follow the recommended soldering profile provided by the manufacturer of solder paste used.

Note that this general guideline may not apply to all PCB designs and configurations of reflow soldering equipment.



IPC/JEDEC J-STD-020C

| Profile Feature                                      | Lead-Based Solder | Lead-Free Solder |
|--|-------------------|------------------|
| Average Ramp-Up Rate ( $T_{s_{max}}$ to $T_p$ )      | 3°C/second max.   | 3°C/second max.  |
| Preheat: Temperature Min ( $T_{s_{min}}$ )           | 100°C             | 150°C            |
| Preheat: Temperature Max ( $T_{s_{max}}$ )           | 150°C             | 200°C            |
| Preheat: Time ( $t_{s_{min}}$ to $t_{s_{max}}$ )     | 60-120 seconds    | 60-180 seconds   |
| Time Maintained Above: Temperature ( $T_L$ )         | 183°C             | 217°C            |
| Time Maintained Above: Time ( $t_L$ )                | 60-150 seconds    | 60-150 seconds   |
| Peak/Classification Temperature ( $T_p$ )            | 215°C             | 260°C            |
| Time Within 5°C of Actual Peak Temperature ( $t_p$ ) | 10-30 seconds     | 20-40 seconds    |
| Ramp-Down Rate                                       | 6°C/second max.   | 6°C/second max.  |
| Time 25°C to Peak Temperature                        | 6 minutes max.    | 8 minutes max.   |

Note: All temperatures refer to the topside of the package, measured on the package body surface.

## NOTES

---

### Lumen Maintenance Projections

Cree currently recommends a maximum drive current of 1500 mA for XLamp XM-L white in designs seeking the ENERGY STAR\* 35,000 hour lifetime rating ( $\geq 94.1\%$  luminous flux @ 6000 hours) or 25,000-hour lifetime rating ( $\geq 91.8\%$  luminous flux @ 6000 hours).

Please read the XLamp Long-Term Lumen Maintenance application note for more details on Cree's lumen maintenance testing and forecasting. Please read the XLamp Thermal Management application note for details on how thermal design, ambient temperature, and drive current affect the LED junction temperature.

\* These lifetime ratings are based on the current ENERGY STAR Solid State Lighting Luminaires V1.1 (December 12, 2008) and ENERGY STAR Integral LED Lamps V1.0 (December 3, 2009) lumen maintenance criteria.

### Moisture Sensitivity

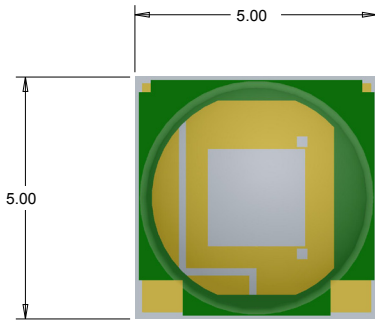
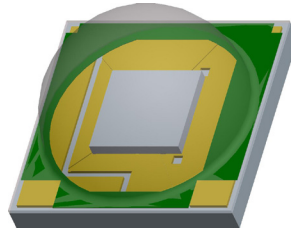
In testing, Cree has found XLamp XM-L LEDs to have unlimited floor life in conditions  $\leq 30^{\circ}\text{C}$  / 85% relative humidity (RH). Moisture testing included a 168 hour soak at  $85^{\circ}\text{C}$  / 85% RH followed by 3 reflow cycles, with visual and electrical inspections at each stage.

### Vision Advisory Claim

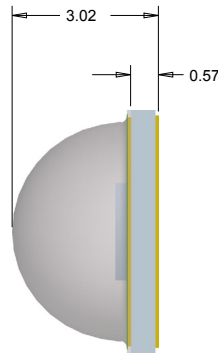
Users should be cautioned not to stare at the light of this LED product. The bright light can damage the eye.

**MECHANICAL DIMENSIONS**

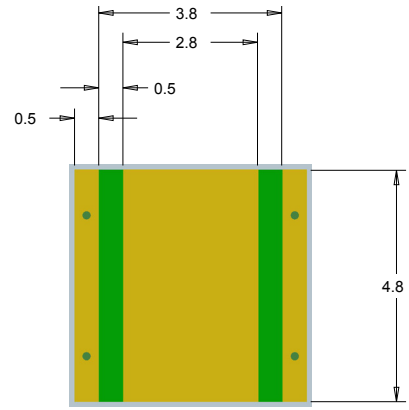
All measurements are  $\pm 0.13$  mm unless otherwise indicated.



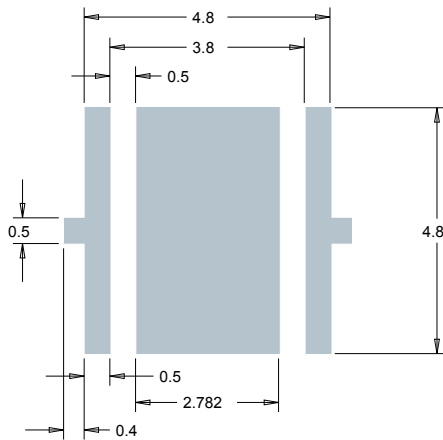
**Top View**



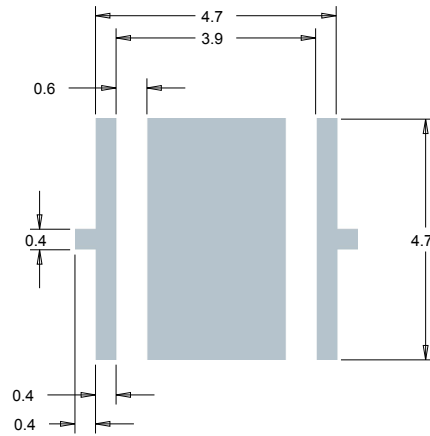
**Side View**



**Bottom View**



**Recommended PCB Solder Pad**

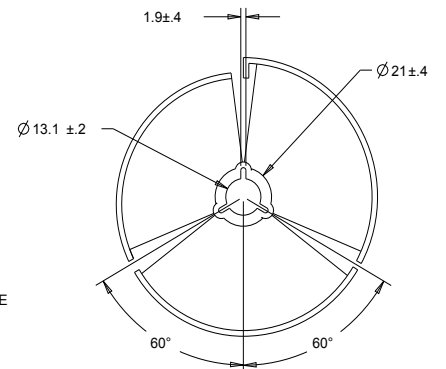
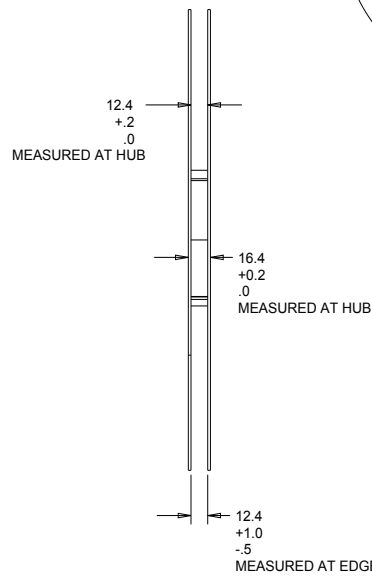
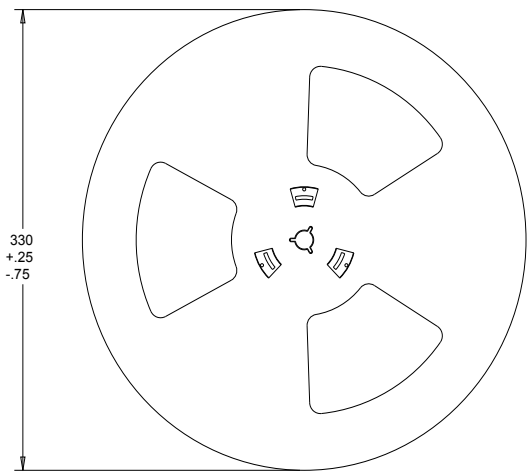
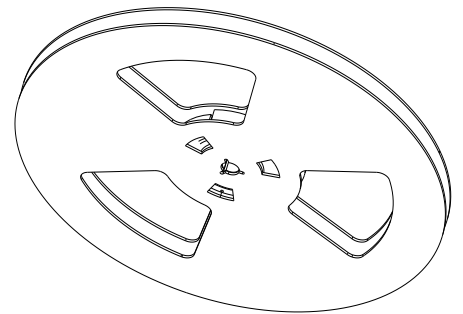
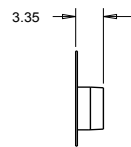
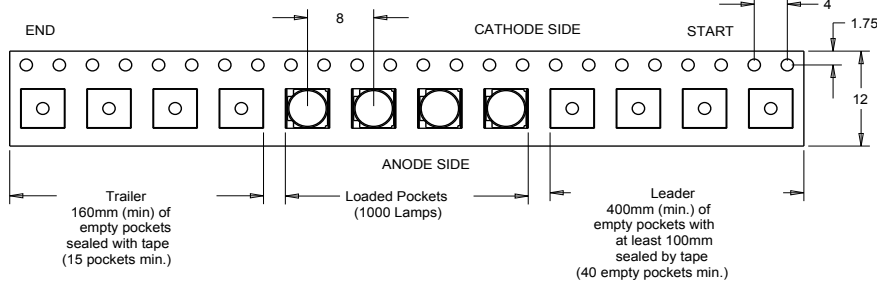
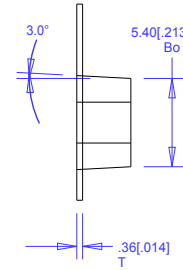
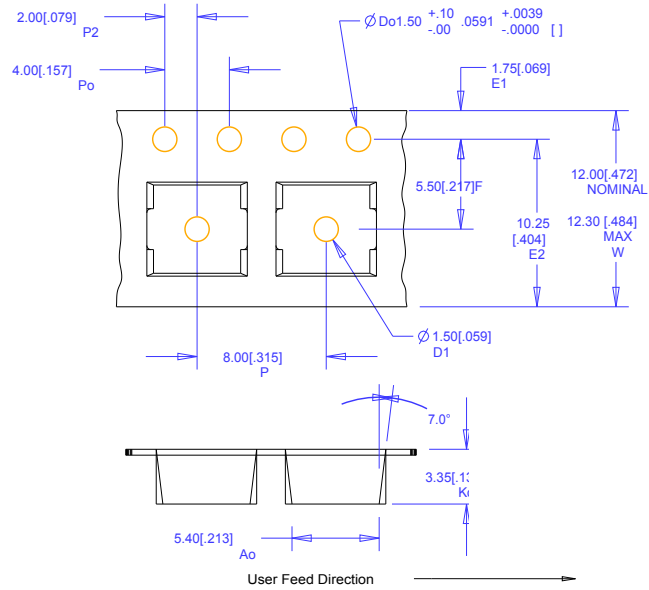


**Recommended Stencil Pattern  
(Shaded Area Is Open)**

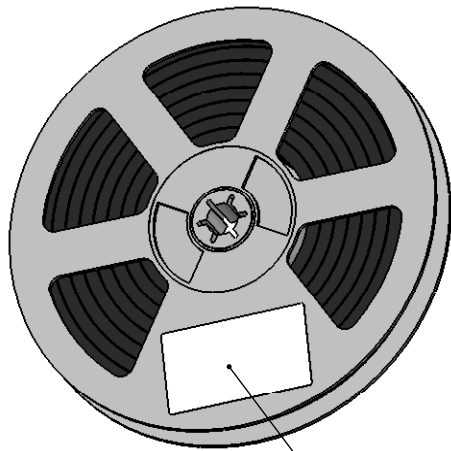


**TAPE AND REEL**

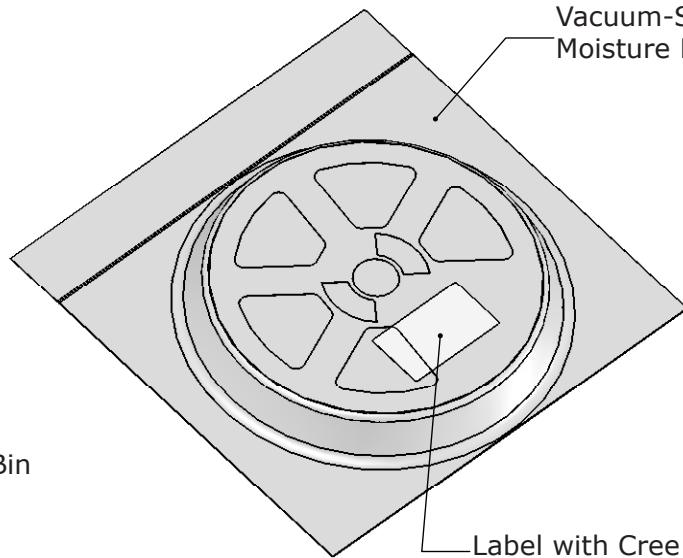
All dimensions in mm.



### PACKAGING

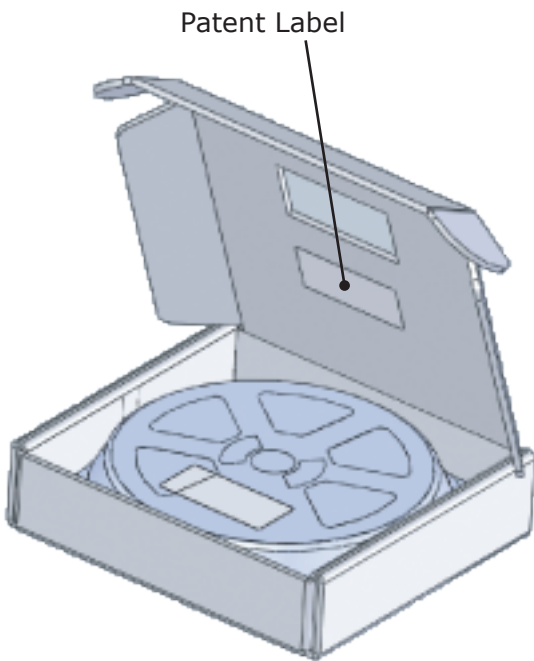


Label with Cree Bin Code, Qty, Lot #

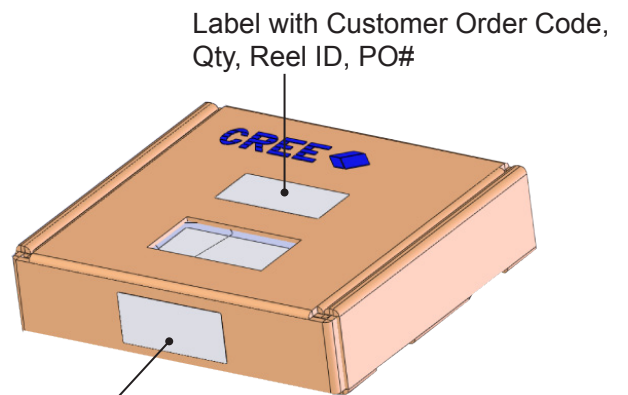


Vacuum-Sealed Moisture Barrier Bag

Label with Cree Bin Code, Qty, Lot #



Patent Label



Label with Customer Order Code, Qty, Reel ID, PO#

Label with Cree Bin Code, Qty, Lot #