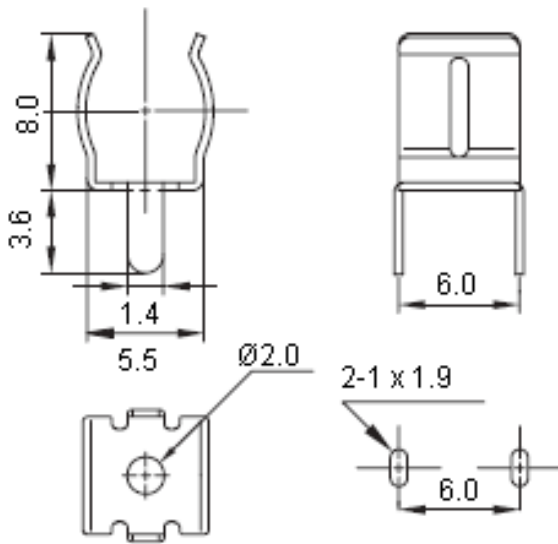


PCB Mount Fuse Clip



For 1/4 Inches/ 6.3mm Fuses



Mounting Holes

Dimensions : Millimetres

Specifications:

Metal Material : Spring brass.
Material thickness : 0.4mm.
Suitable rated current : 15A.
Plating material : Bright tin plated.
Clip type : Earless type.

Part Number Table

Description	Part Number
Fuse Clip	MCCQ-205D

<http://www.farnell.com>
<http://www.newark.com>
<http://www.cpc.co.uk>

