

OCH100-18GM70-..-V1

Reflection light scanner with background suppression

# OCH100-18GM70-..-V1

with 4-pin, M12 connector

CE

Sensors in  
threaded housings



- ◆ Sensing range up to 100 mm
- ◆ Reflection light scanner with adjustable background suppression
- ◆ Visible red light
- ◆ Strong metallic housing in cylindrical shape M18 x 1
- ◆ Sensitivity adjuster for optimal adaptation to the application
- ◆ LED indicating for a simple operation start
- ◆ Connector M12 x 1 for fast mounting
- ◆ Antivalent outputs for light/dark ON operation or as control function
- ◆ High switching frequency for the detection of fast moving objects

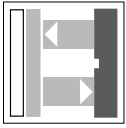
For suitable cable sockets, reflectors and mounting aids refer to chapter "accessories".

Ordering code		OCH100-18GM70-A0-V1	OCH100-18GM70-A2-V1
Detection range	30 ... 100 mm	◆	◆
Reference target	Standard white 100 mm x 100 mm	◆	◆
Adjustment range	30 ... 100 mm	◆	◆
Operating distance difference	< 13 % (grey 18 %/ white 90 %)	◆	◆
Grey/white difference (18%/90%)	13 % (by 100 mm)	◆	◆
Light source	LED	◆	◆
Light type	Red, alternating light	◆	◆
Ambient light limit	10000 Lux	◆	◆
Standard conformity	EN 60947-5-2	◆	◆
Approvals	CE	◆	◆
Function display	LED yellow: switching state	◆	◆
Controls	sensitivity adjuster	◆	◆
Operating voltage	10 ... 30 V DC	◆	◆
Ripple	10 %	◆	◆
No-load supply current	≤ 40 mA	◆	◆
Time delay before availability	≤ 100 ms	◆	◆
<b>Signal output</b>	2 switch outputs npn, normally open/closed (complementary)	◆	◆
	2 switch outputs pnp, normally open/closed (complementary)		◆
Switching type	light/dark switching	◆	◆
Switching voltage	max. 30 V DC	◆	◆
Switching current	max. 100 mA	◆	◆
Voltage drop	≤ 2.5 V	◆	◆
Switching frequency	≤ 1 kHz	◆	◆
Switch-on delay	0.5 ms	◆	◆
Response time	≤ 0.5 ms	◆	◆
Range hysteresis	6 % Grey (18%)	◆	◆
Ambient temperature	-25 ... +55 °C	◆	◆
Storage temperature	-30 ... +70 °C	◆	◆
Protection degree	IP65	◆	◆
Connection type	Connector M12 x 1, 4-pin	◆	◆
Housing	brass, nickel plated	◆	◆
Light exit	Glass lens	◆	◆
Mass	80 g	◆	◆

Sensors in threaded housings

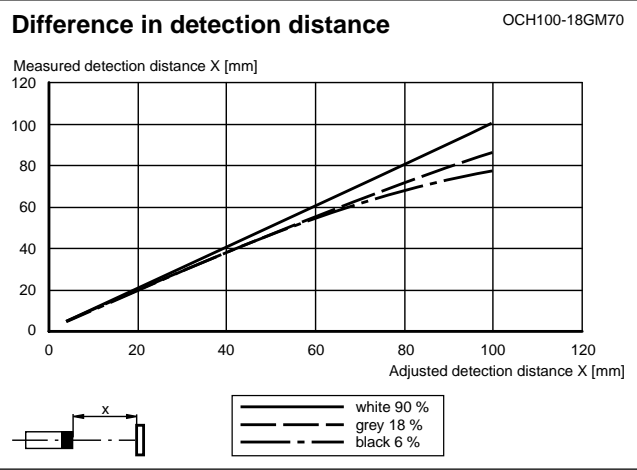
10/8/01

Date of issue



# OCH100-18GM70-...-V1

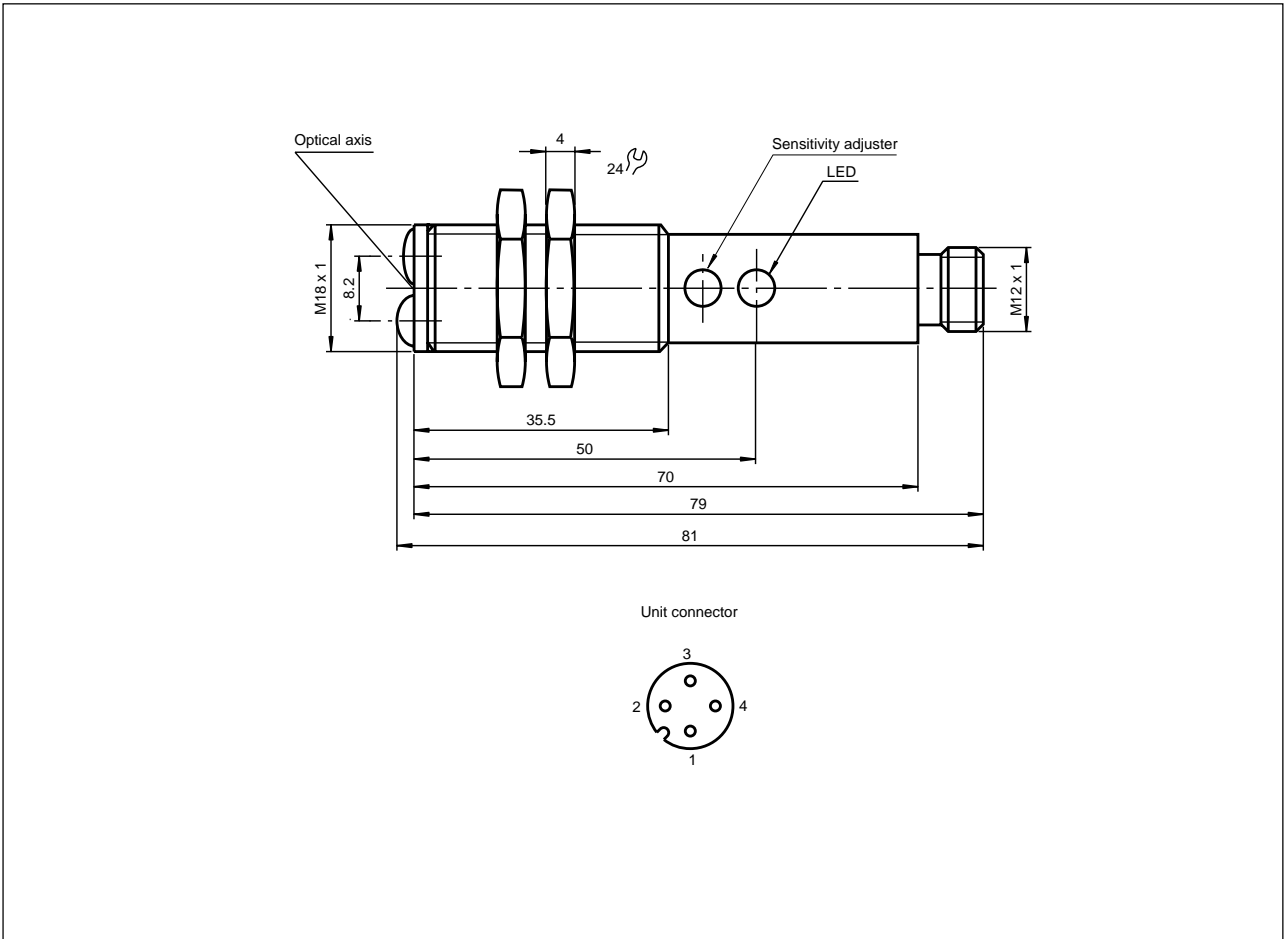
## Diagrams



Sensors in threaded housings

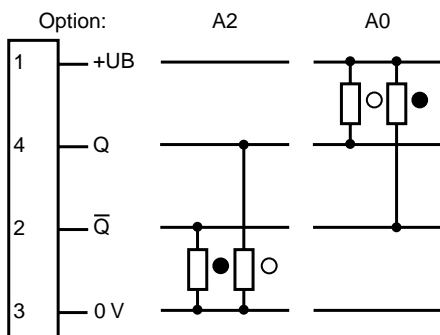
Date of issue 10/8/01

Dimensions



Sensors in threaded housings

Electrical Connection



○ = Light ON, ● = Dark ON

10/8/01

Date of issue