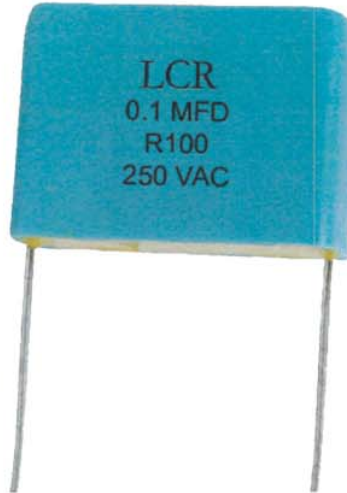


Sudden interruption of current in an inductive circuit normally produces a high voltage surge. Damage to contacts occurs due to arcing. In Thyristor or Triac Circuits incorrect functioning may result due to high dV/dt.

The LCR RC network will suppress arcing and also reduce dV/dt.

The RC network also suppresses radio interference over a wide frequency range.

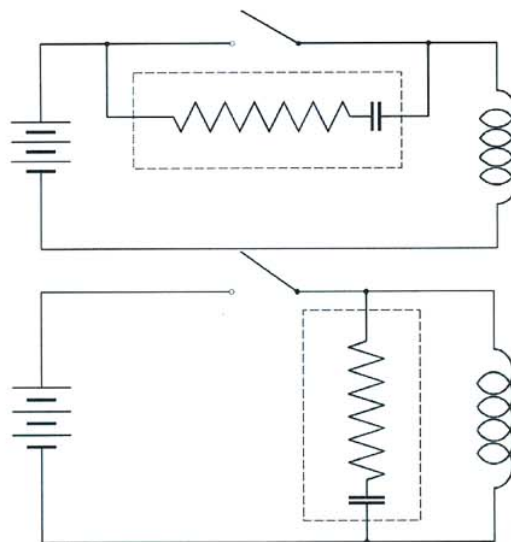


CHARACTERISTICS	
Capacitance :	0.1 mfd $\pm$ 10%
Resistance :	100 ohms $\pm$ 10%
Voltage Rating :	250 VAC (Class X)
Power Rating :	$\frac{1}{2}$ watt
Temperature Range :	-55°C to 100°C
Humidity Classification :	50/10/56
Insulation Resistance :	> 30,000 megaohms



Length : 25mm  
 Height : 19mm  
 Thickness : 8mm  
 Lead Spacing : 22.5mm  
 Terminations : 0.8mm tinned copper wire  
 min.length 30mm

Other values of capacitance and resistance are available.



Sales Office Tel : (01495) 307070

Fax : (01495) 306965

**LCR**  
 Capacitors

