

LE3S SERIES

Digital LCD Timer DIN W48 × H48mm

■ Features

- Upgraded power supply
: 24–240VAC 50/60Hz / 24–240VDC
- Easy to switch Up/Down mode
- 10 programmable output modes and timing ranges
- Selectable function by front digital switches
- Graphic output contact status display (NO/NC)
- BAR graph display of time progressing in 5% increments
- Compact size (Length: 74mm)



⚠ Please read "Caution for your safety" in operation manual before using.



■ Ordering information



| | | | | | |
|---|---|---|---|--|---------------------------------|
| L | E | 3 | S | | |
| | | | | | Time-limit 1c |
| | | | A | | Time-limit 2c |
| | | | B | | Time-limit 1c, Instantaneous 1c |
| | | | S | | DIN W48 × H48mm |
| | | | 3 | | 999(Digit) |
| | | | E | | Timer |
| | | | L | | LCD Display |

■ Specifications

| Model | LE3S | LE3SA | LE3SB | |
|-------------------------|---|---|--|--|
| Function | Multi time and operation | Multi time range, Power ON Delay operation | | |
| Display method | LCD Display (Character size : W4 × H8mm) | | | |
| Power supply | 24–240VAC 50/60Hz / 24–240VDC | | | |
| Allowable voltage range | 90 ~ 110% of rated voltage | | | |
| Power consumption | Approx. 2.5VA (240VAC 50/60Hz) Approx. 1W (240VDC) | Approx. 3.3VA (240VAC 50/60Hz) Approx. 1.5W (240VDC) | | |
| Reset time | Max. 200ms | Max. 100ms | | |
| Min. input signal | START input | Min. 20ms | _____ | |
| | INHIBIT input | | _____ | |
| | RESET input | | _____ | |
| Input | START input | ● No-voltage input Impedance at short-circuit: Max. 1kΩ Residual voltage: Max. 0.5VDC Impedance at open-circuit: Min. 100kΩ | _____ | |
| | INHIBIT input | | _____ | |
| | RESET input | | _____ | |
| Timing operation | Signal ON Start | Power ON Start | | |
| Control output | Contact type | Time limit SPDT(1c) | Time limit DPDT(2c) | Time limit SPDT(1c), Instantaneous SPDT(1c) |
| | Contact capacity | 250VAC 5A resistive load | 250VAC 3A resistive load | |
| Relay life cycle | Mechanical | Min. 10,000,000 times | | |
| | Electrical | Min. 100,000 times (250VAC 5A resistive load) | Min. 100,000 times (250VAC 3A resistive load) | |
| Output mode | 10 operation modes | Power ON Delay Mode | | |
| Ambient temperature | -10 ~ +55°C (at non-freezing status) | | | |
| Storage temperature | -25 ~ +65°C (at non-freezing status) | | | |
| Ambient humidity | 35 ~ 85%RH | | | |

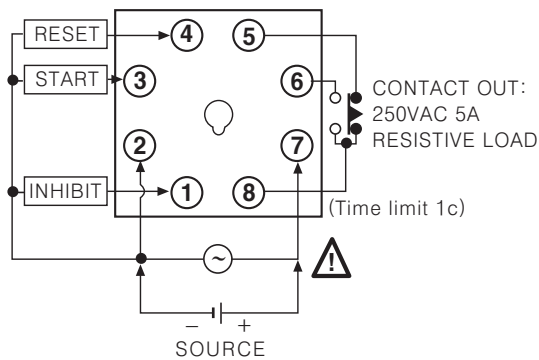
Digital LCD Timer

Specifications

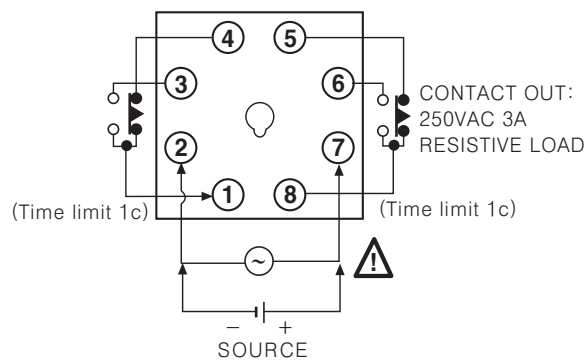
| Model | LE3S | LE3SA | LE3SB |
|-----------------------|--|--|---|
| Repeat error | Max. $\pm 0.01\%$ $\pm 0.05\text{sec}$ (Power Start) | Max. $\pm 0.01\%$ $\pm 0.05\text{sec}$ | |
| SET error | | | |
| Voltage error | | | |
| Temperature error | | | |
| Insulation resistance | 100M Ω (at 500VDC mega) | | |
| Dielectric strength | 2000VAC 50/60Hz for 1 minute | | |
| Noise strength | $\pm 2\text{kV}$ the square wave noise (pulse width: $1\mu\text{s}$) by the noise simulator | | |
| Vibration | Mechanical | 0.75mm amplitude at frequency of 10 ~ 55Hz in each of X, Y, Z directions for 1hour | |
| | Malfunction | 0.5mm amplitude at frequency of 10 ~ 55Hz in each of X, Y, Z directions for 10 minutes | |
| Shock | Mechanical | 300m/s ² (Approx. 30G) in X, Y, Z directions for 3 times | |
| | Malfunction | 100m/s ² (Approx. 10G) in X, Y, Z directions for 3 times | |
| Approval |  | |  |
| Unit weight | Approx. 100g | Approx. 105g | |

Connections

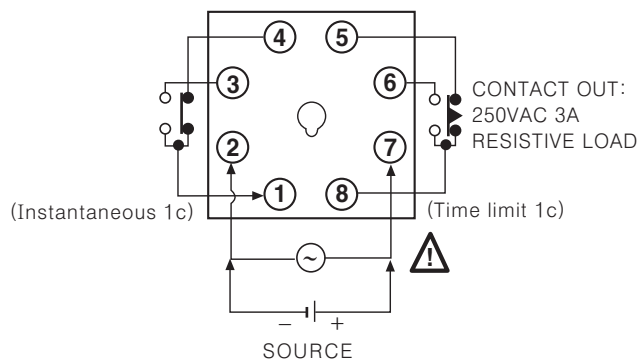
LE3S



LE3SA



LE3SB



(A)
Counter

(B)
Timer

(C)
Temp.
controller

(D)
Power
controller

(E)
Panel
meter

(F)
Tacho/
Speed/
Pulse
meter

(G)
Display
unit

(H)
Sensor
controller

(I)
Switching
power
supply

(J)
Proximity
sensor

(K)
Photo
electric
sensor

(L)
Pressure
sensor

(M)
Rotary
encoder

(N)
Stepping
motor &
Driver &
Controller

(O)
Graphic
panel

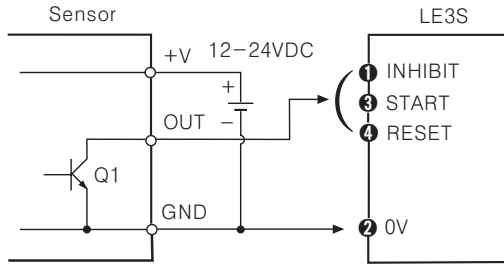
(P)
Field
network
device

(Q)
Production
stoppage
models &
replacement

LE3S Series

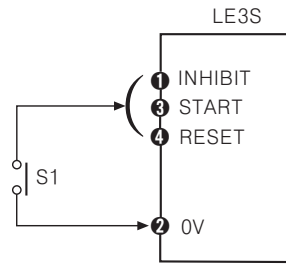
Input connections(LE3S Series)

◎Solid-state input

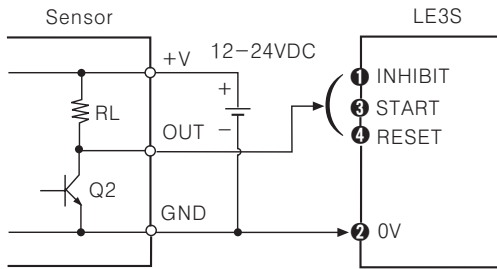


- Q1 is ON : Operating
- Sensor : NPN open collector output

◎Contact input



- S1 is ON : Operating
- S1 : Micro switch, Push button switch, Relay



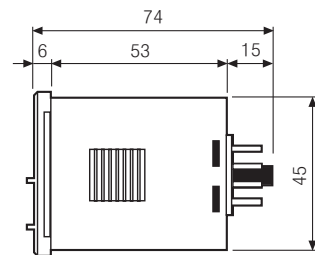
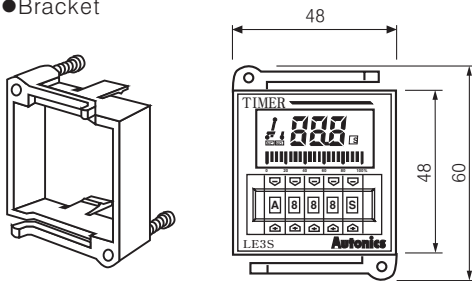
- Q2 is ON : Operating
- Sensor : NPN universal output

●Input level

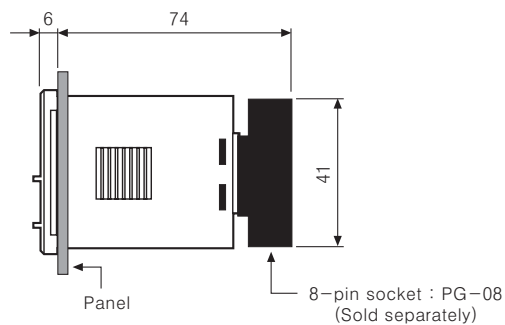
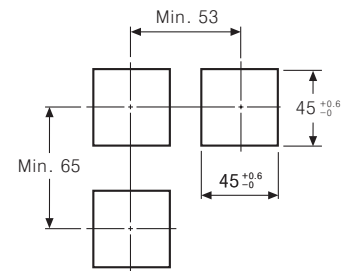
| | |
|------------------|--|
| No voltage input | <ul style="list-style-type: none"> ●Short-level(Transistor is ON) <ul style="list-style-type: none"> • Residual voltage : Max. 0.5V • Impedance : Max. 1kΩ ●Open-level(Transistor is OFF) <ul style="list-style-type: none"> • Impedance : Min. 100kΩ |
| Contact input | Please use reliable contacts enough to flow 5VDC 1mA of current. |

Dimensions

●Bracket



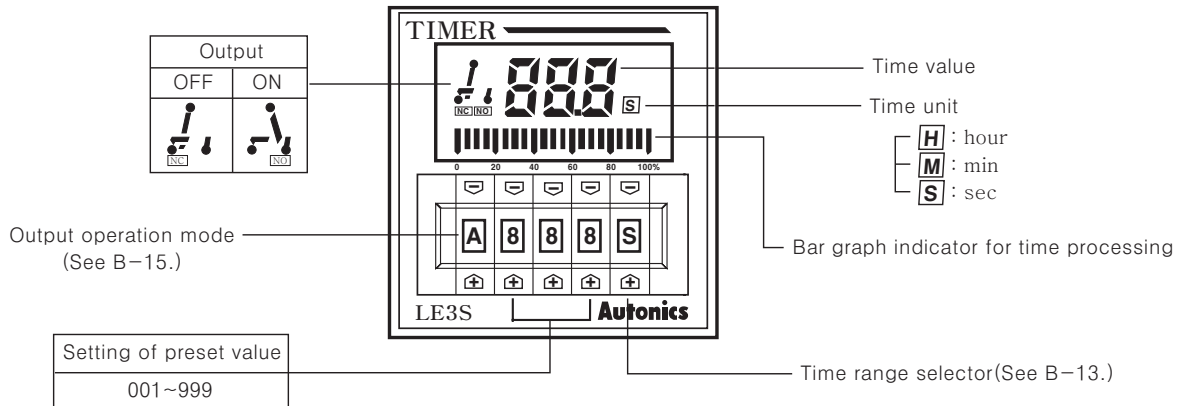
●Panel cut-out



(Unit:mm)

Digital LCD Timer

Front panel identification



(A) Counter

(B) Timer

(C) Temp. controller

(D) Power controller

(E) Panel meter

(F) Tacho/Speed/Pulse meter

(G) Display unit

(H) Sensor controller

(I) Switching power supply

(J) Proximity sensor

(K) Photo electric sensor

(L) Pressure sensor

(M) Rotary encoder

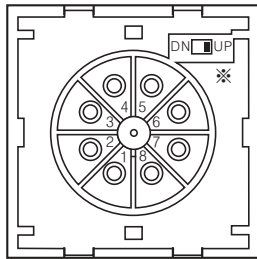
(N) Stepping motor & Driver & Controller

(O) Graphic panel

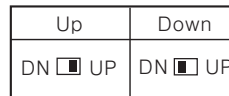
(P) Field network device

(Q) Production stoppage models & replacement

Up/Down Mode



*Output operate as Up or Down mode by Up/Down switch location.



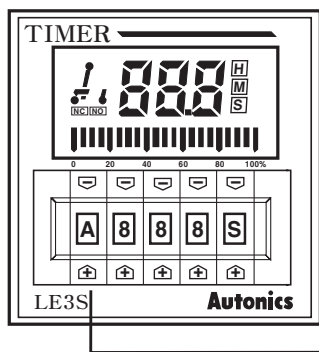
⚠ Power must be cut off.

• Default specifications

| LE3S | LE3SA, LE3SB |
|-------------------|---|
| Up/Down mode : Up | • Up/Down mode : Up • Output mode : A mode *Down mode is optional |

Output operation mode selection

• Please select operation mode by press the left of \uparrow , \downarrow keys in front panel.



| Output operation mode | |
|-----------------------|----------------------|
| A | ON Delay (A) |
| B | Interval Delay (A) |
| C | ON Delay (B) |
| D | Flicker (A) |
| E | Flicker (B) |
| F | One-shot Out Flicker |
| H | OFF Delay |
| K | ON/OFF Delay |
| L | Interval Delay (B) |
| N | Integration Time |

* See B-14~15 for details about output operation mode.

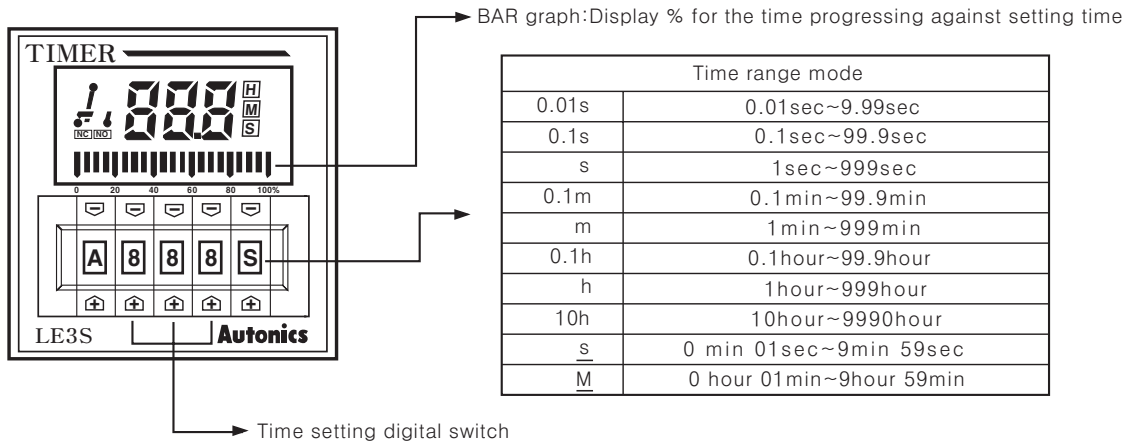
- On delay (A) of A mode and ON delay (B) of C mode are different.
- Interval delay (A) of B mode and Interval delay (B) of L mode are different.
- Flicker (A) of D mode and Flicker (B) of E mode are different.

* Output mode (A) is operated as time progresses only when the start signal applied continuously.
 * Output mode (B) is operated as time progresses even the start signal is applied as One-shot signal. (One-shot input signal should be over 20ms.)

LE3S Series

Time specifications and time range

- Please select time unit and range by press the right of , keys in front panel.

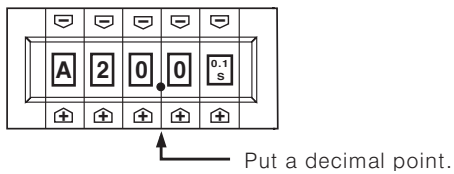


- Setting of operation time : Please select operation time by press the center of 3 , keys in front panel.

※EX) When using this unit with 20.0 sec of operation time.

After selecting as time range, then set digital switches as 20.0sec.

In this case, it is convenient to put a decimal point as below figure.

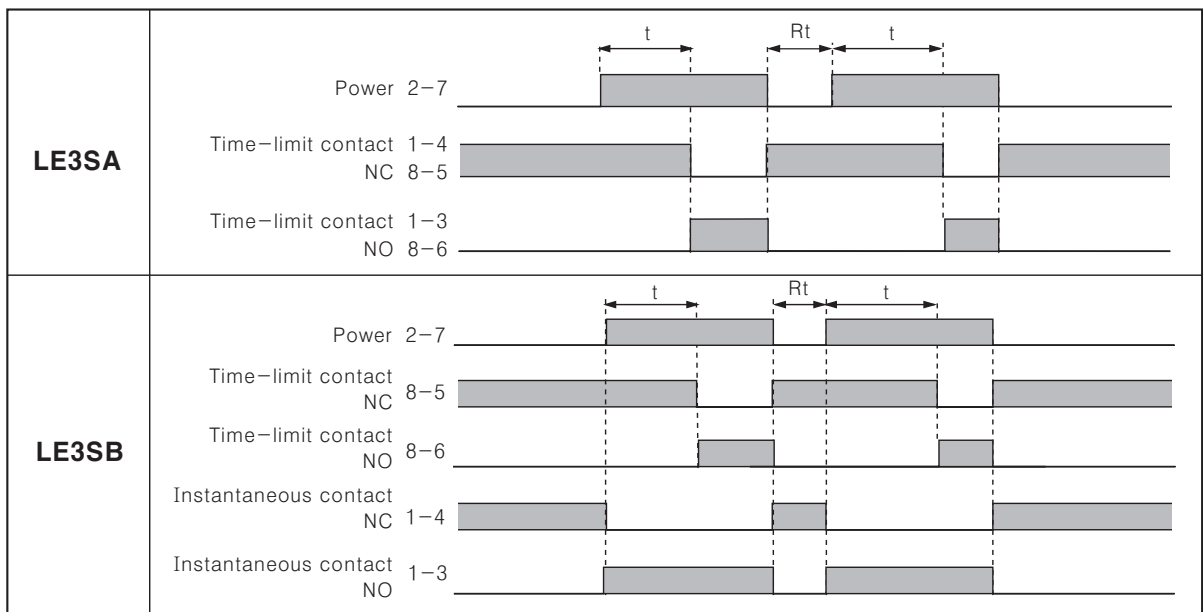


- Bar graph display : Display the progress rate of time for setting time with bar, it is calculated as below for 1bar.

$$\text{Setting value (Operation time)} \div 20 (\text{Total number of bars}) = \text{The time for 1 bar is lighted.}$$

LE3SA, LE3SB output operation mode

※t=Setting time, Rt=Reset time (Min. 100ms)



LE3S output operation mode

T=Setting time, T > Ta

| Mode | Time chart |
|------------------------------|--|
| A | |
| ON Delay (A) | <p>1. Time progresses when START signal is ON. 2. The output will be ON when the setting value is equal to the display value. (Position ①) 3. When the RESET signal is ON, the display value is returned to the initial state. (Position ③) 4. When the setting value is equal to the display value, if START signal is OFF, the output turns off, the display value is held. (Position ②) *If START signal is OFF when the output is OFF the display value is returned to initial state(Position ④).</p> |
| B | |
| Interval Delay (A) | <p>1. The output turns ON and time progresses when START signal is ON. 2. The output will be ON when the setting value is equal to the display value. (Position ①) 3. When the RESET signal is ON, the display value is returned to the initial state. (Position ②) *If START signal is OFF when the output is OFF the display value is returned to initial state. (Position ③)</p> |
| C | |
| ON Delay (B) | <p>1. Time proceeds when START signal is ON. 2. The output will be ON when the setting value is equal to the display value. (Position ①) 3. When the RESET signal is ON, the display value is returned to the initial state. *When start signal is applied repeatedly(Position ①), only the initial signal is recognized. *Even if the START signal is not applied, time progresses. (Position ②)</p> |
| D | |
| Flicker (A) | <p>1. Time progresses repeatedly when the START signal is ON. 2. The output operates from NC to NO, and from NO to NC repeatedly. 3. If RESET signal is ON, it is returned to initial state. (Position ①) *If the START signal is OFF, the display value and output is returned to initial state. (Position ②)</p> |
| E | |
| Flicker (B) | <p>1. Time progresses repeatedly when the START signal is ON. 2. The output operates from NC to NO, and from NO to NC repeatedly. 3. If RESET signal is ON, it is returned to initial state. (Position ③) *When START signal is applied repeatedly, only the initial signal is recognized. (Position ①) *Even if the START signal is not applied, time progresses. (Position ②)</p> |

*Initial state : The output is OFF, the display value is "0". (At Up mode).

The output is OFF and the display value is the setting value (At Down mode)

*When using D, E output operation modes, if the time is set too short, the output may not work properly.

Please set the time at least over 100ms.

(A) Counter

(B) Timer

(C) Temp. controller

(D) Power controller

(E) Panel meter

(F) Tacho/Speed/Pulse meter

(G) Display unit

(H) Sensor controller

(I) Switching power supply

(J) Proximity sensor

(K) Photo electric sensor

(L) Pressure sensor

(M) Rotary encoder

(N) Stepping motor & Driver & Controller

(O) Graphic panel

(P) Field network device

(Q) Production stoppage models & replacement

LE3S Series

LE3S output operation mode

T=Setting time, $T=T_1+T_2+T_3$, $T > T_a$, $T > T_a+T_b$

| Mode | Time chart |
|--|---|
| F One-shot Out Flicker | <p>1. Time progresses from initial value to the preset value repeatedly and the output operates as one-shot (0.3 sec), when the START signal is ON. (Position ①) 2. If the RESET signal is ON, it is returned to initial state. (Position ③) ※When START signal is applied repeatedly, only the initial signal is recognized. (Position ②)</p> |
| H OFF Delay | <p>1. The START signal & the output are ON at the same time. The output will return and the display value is held after the setting time. 2. If the RESET signal is ON, the display value is returned to initial state. ※ If the START signal is applied continuously, the output will be ON but time is not progressed.</p> |
| K ON/OFF Delay | <p>1. When the START signal is ON the output is ON the output will be reset and display value is held when setting value is equal to display value. 2. The START signal turns OFF, the output turns ON, the output will be reset and display value is held when setting value is equal to display value. 3. If RESET signal is ON, it is returned to initial state. ※If START signal is applied repeatedly, output keeps ON but be sure that the time will be initialized.</p> |
| L Interval Delay (B) | <p>1. When START signal is ON, the output turns ON and the time progresses at the same time. 2. When the time reaches at the preset value the output will be reset, and the display value is held. 3. If RESET signal is applied, the display value is returned to initial state. ※When START signal is applied repeatedly, only the initial signal is recognized. (Position ①)</p> |
| N Integration Time | <p>1. When START signal is ON, time progresses. 2. If START signal turns off before the display value reaches the setting value, the time (display value) will be held. 3. If RESET signal is ON, it is returned to initial state.</p> |

※Initial state : The output is OFF, the display value is "0". (At Up mode)

The output is OFF and the display value is setting value. (At Down mode)

※When using F output operation modes, if the time is set too short, the output may not work properly. Please set the time at least over 100ms.

Proper usage

Caution

It may give an electric shock if touch the input signal terminal (Between Start, Reset, Inhibit and terminal ②) when the power is supplied.

Power connection

● Connect AC power line between (②-⑦) for LE3S AC power type.

But please aware power connection for DC power type. (② ← ⊖, ⑦ ← ⊕)

● When turning off power, be sure about inductive voltage, residual voltage between terminal (②-⑦), it may cause problem with low voltage because power consumption is low and impedance is high. (If using power line in with another high voltage line or energy line in the same conduit, it may cause inductive voltage. Therefore please use separate conduit for power line.)

● Power ripple should be under 10% and power supply should be within range of allowable voltage for DC power type.

● Please supply power quickly as using a switch or relay contact, otherwise it may cause timing error.

● When using SSR (Solid State Relay) for switching power source of Timer, dielectric strength voltage should be 2 times higher than power source.

Input/Output

● Please check operation mode of this unit before connecting the power.

● If setting 「000」 for operation time, output may not work.

● When using a relay contact as input signal, please use reliable contact enough to flow 5VDC 1mA of current. (Short circuited: Contact resistance under 1kΩ, Open circuit: Residual voltage under 0.5V)

● In case of connecting START terminal (③) and power terminal (②) of LE3S, do not start time at the same time applying power.

Please use relay contact or transistor to start.

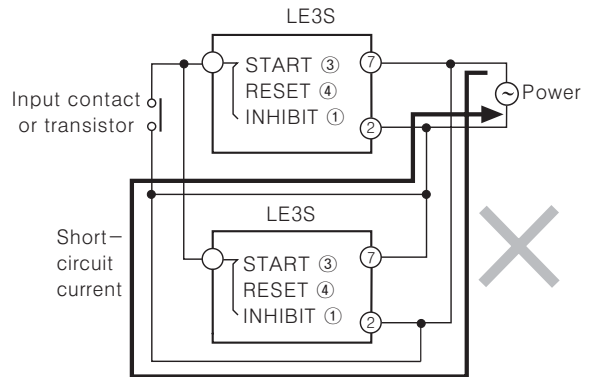
(Time error is occurred when time starts the moment power is supplied.)

● When power is applied to LE3SA, LE3SB, it starts to operate, please check operation specification before using.

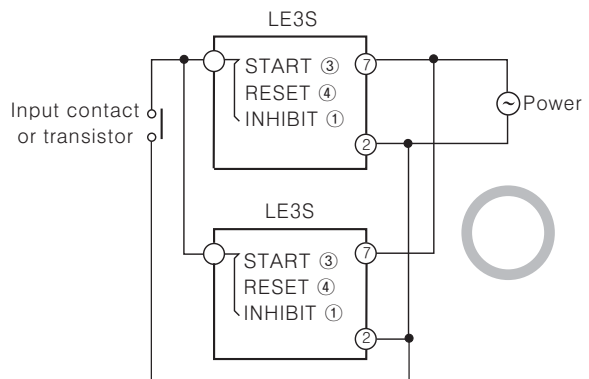
(It may cause breakdown of peripheral device when power is applied without any check.)

● LE3S is transformer-less type, therefore please check following for connecting a relay contact, input signal and transistor.

① When connecting 2 or more than 2 Timers with 1 relay contact for input or transistor, please connect as following < Fig. 2 >.

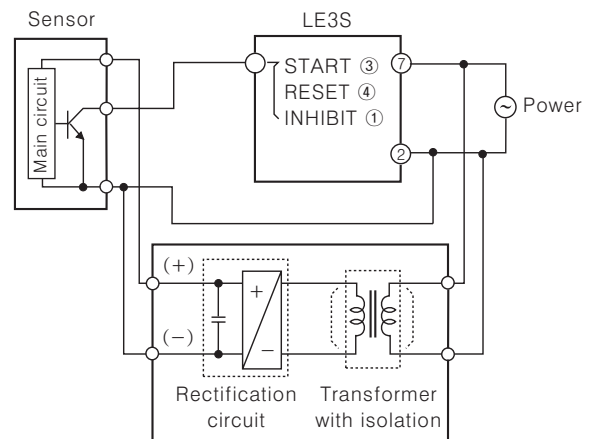


< Fig. 1 >



< Fig. 2 >

② Please use transformer with primary and secondary isolated power for input.



< External sensor power supply >

(A) Counter

(B) Timer

(C) Temp. controller

(D) Power controller

(E) Panel meter

(F) Tacho/ Speed/ Pulse meter

(G) Display unit

(H) Sensor controller

(I) Switching power supply

(J) Proximity sensor

(K) Photo electric sensor

(L) Pressure sensor

(M) Rotary encoder

(N) Stepping motor & Driver & Controller

(O) Graphic panel

(P) Field network device

(Q) Production stoppage models & replacement