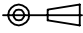



Pin Out		
P1	P2	
4	Black	4
5	Blue	8
6	Yellow	9
7	Drain Wire	7
8	Purple	5
9	Orange	6
Shell	Braid	Shell

RoHS Compliant				PROJECTION: 	GENERAL TOLERANCE .X = +/- 0.2 .XX = +/- 0.15		DESCRIPTION: CABLE ASSEMBLY USB 3.0 TYPE A MALE TO TYPE A MALE WERI PART NO: 692 901 100 000	SIZE A4
G								
F								
E								
D								
C				APPROVAL: RJ	UNIT: MM			
B					SCALE:			
A	04-AUG-10	PDF	JP		SHEET: 1/2			
REV	DATE	FILE	BY		DRAW: JOE			

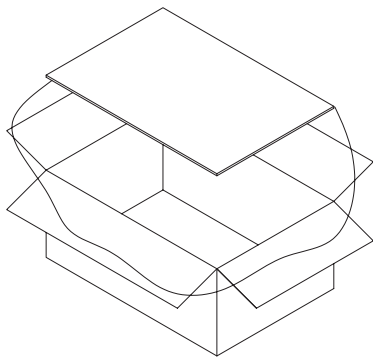
1

2

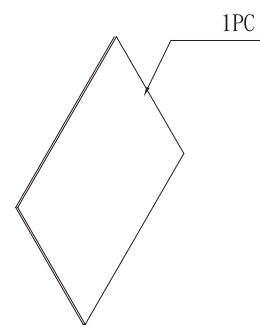
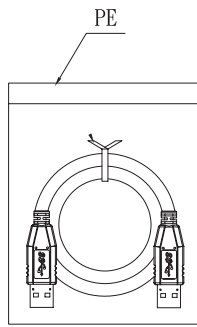
3

4

5



457 x 299 x 229 mm



432 x 280 mm

NOTE:
 1. INDIVIDUAL PACKING.
 2. 150PCS PER CARTON.

RoHS Compliant				PROJECTION: 	GENERAL TOLERANCE .X = +/- 0.2 .XX = +/- 0.15		DESCRIPTION: CABLE ASSEMBLY USB 3.0 TYPE A MALE TO TYPE A MALE	SIZE A4
G								
F								
E								
D								
C				APPROVAL: RJ	UNIT: MM	WERI PART NO: 692 901 100 000		
B				SCALE:				
A				SHEET: 2/2				
REV	DATE	FILE	BY	DRAW: JOE				

A
B
C
D