

887505310	500+/-10	887808051	SATA SIGNAL CABLE, 0.5m GREY
887505300	500+/-10	887808404	SATA SIGNAL CABLE, 0.5m RED
887505318	500+/-10	887808052	SATA SIGNAL CABLE, 0.5m RED
Molex P/N	Length (mm)	Raw Cable P/N	Description

B	S-ATA DATA CABLE (SEE THE TABLE)	N/A	1
A	CONNECTOR GOLD PLATING 674898002		2
ITEM	DESCRIPTION	L (MM)	QTY

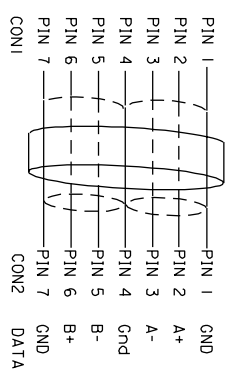
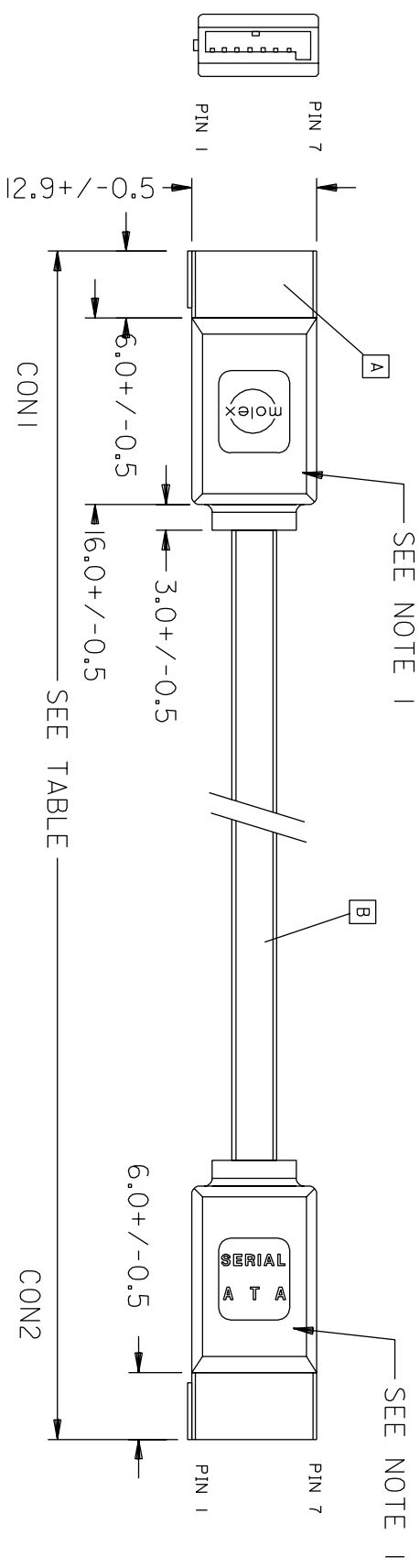
NOTE:
 1. OUTER MOLD WITH BLACK PVC RESIN 887800019
 INNER MOLD WITH PE RESIN 887800008
 2. ELECTRICAL PERFORMANCE:
 ALL TEST DUABILITY: 0.01 SEC).
 2.1. DIELECTRIC STRENGTH: 500V DC
 2.2. INSULATION RESISTANCE: 100M OHMS MIN.
 2.3. CONDUCTIVE RESISTOR: 2 OHMS MAX.

ENTER DESCRIPTION	QUALITY SYMBOLS
EC NO: DG2005-0120	▽=0
DRWN: JLU13	▽=0
CHKD: TEDDY	
APPR: KAN	
DATE: 2005/03/31	
DATE: 2005/04/01	
DESCRIPTION	

GENERAL TOLERANCES (UNLESS SPECIFIED)	
4 PLACES	±--- ±---
3 PLACES	±--- ±---
2 PLACES	±--- ±---
1 PLACE	±--- ±---
ANGULAR ±---°	
DRAFT WHERE APPLICABLE MUST REMAIN WITHIN DIMENSIONS	

DIMENSION STYLE	SCALE	DESIGN UNITS	THIRD ANGLE PROJECTION
MM ONLY	---	METRIC	
DRAWN BY	DATE	TITLE	
JLU13	2005/03/31	S-ATA RED 0.5M CABLE ASS'Y	
CHECKED BY	DATE	MOLEX INCORPORATED	
TEDDY	2005/03/31	MATERIAL NO. 887505318	
APPROVED BY	DATE	DOCUMENT NO. SD-88750-5318	
BORON	2005/03/31	SHEET NO. 1 OF 1	
SIZE	THIS DRAWING CONTAINS INFORMATION THAT IS PROPRIETARY TO MOLEX INCORPORATED AND SHOULD NOT BE USED WITHOUT WRITTEN PERMISSION		
A4			

6 5 4 3 2 1



NOTE:
 PHYSICAL
 1. INNER MOLD WITH PE RESIN 887800008;
 OUTER MOLD WITH BLACK PVC RESIN 887800019.
 ELECTRICAL PERFORMANCE:
 2. DIELECTRIC STRENGTH:500V DC
 3. INSULATION RESISTANCE:100M OHMS
 4. CONDUCTIVE RESISTOR: 2 OHMS

887505418	1000+/-20	887808052	S-ATA SIGNAL CABLE, 1.0M RED;
887505318	500+/-10	887808052	S-ATA SIGNAL CABLE, 0.5M RED;
MAT. NO.	LENGTH(MM)	CABLE P/N	DESCRIPTION

B	S-ATA SIGNAL CABLE RED 887808052	SEE TABLE
A	CONNECTOR 675380001	2
ITEM	DESCRIPTION	QTY.

EC NO. DRWN: BENTZ 03/01/08 CH'K: APPR:		REV	DESCRIPTION	
QUALITY SYMBOLS MAJOR = CRITICAL =		GENERAL TOLERANCES: (UNLESS SPECIFIED)		
SCALE <input type="checkbox"/> MM <input type="checkbox"/> INCH		DESIGN UNITS <input type="checkbox"/> MM <input type="checkbox"/> INCH		
DRAWN BY & DATE BENTZ 03/01/08		CHECKED BY & DATE Tony Wong 03/01/08		
APPROVED BY & DATE Tony Wong 03/01/08		CAD FILENAME S88755AD.S001		
MATERIAL NO. SEE TABLE		DRAWING NO. SD-88755-004		
TITLE: S-ATA SIGNAL CABLE ASSY		MOLEX INCORPORATED		
SHEET NO. 1 OF 1		SHEET NO. A4		

WBORD_A.BOR REV A
 97/05/14 LEVEL 3

THIS DRAWING CONTAINS INFORMATION THAT IS PROPRIETARY TO MOLEX INCORPORATED AND SHOULD NOT BE USED WITHOUT WRITTEN PERMISSION.

