

FT 91 ILA-S2-Q12

Order no.:	591-91003
Sensor principle:	Distance sensors
Features:	Laser distance measurement , 0.5 ... 6m, plug M16-12Pol

product data

Housing:	cube
Connection type:	Plug M16 12-pin
Light type:	LED, Infrared
Output:	analogue
Range:	500 ... 6000 mm
Series:	F 9x
Protection standard:	IP67
Typical resolution*:	+/- 2 mm

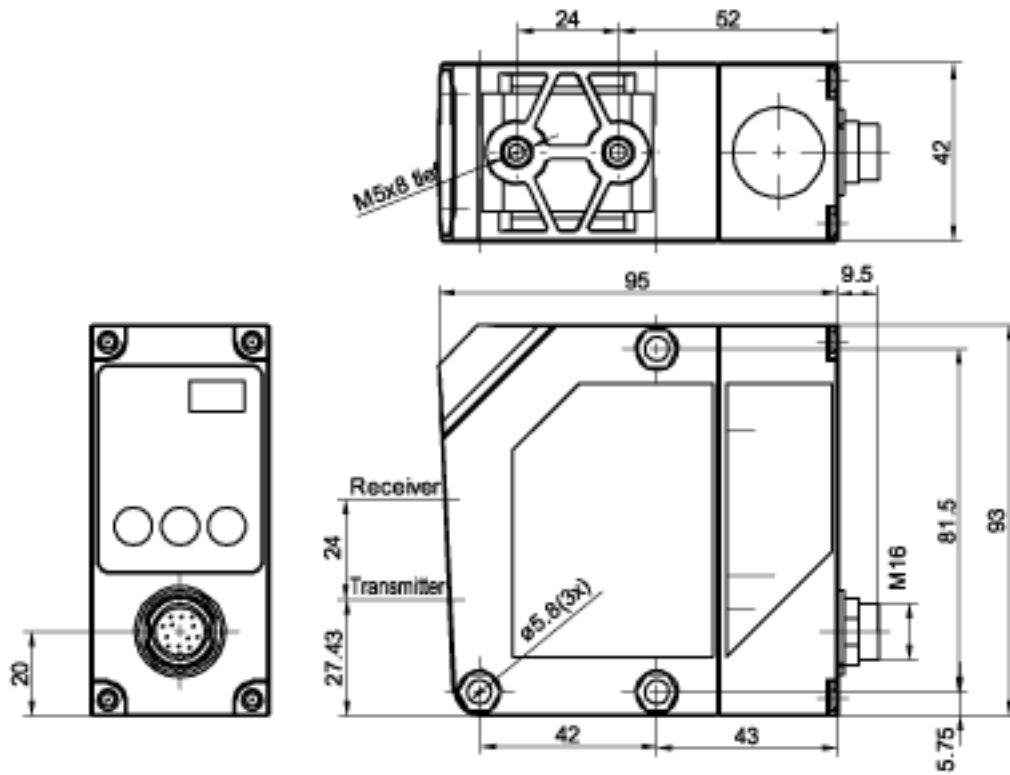
*The resolution can differ depending on target object or ambient conditions.



Image may vary from product.



dimensional drawing:



connection diagram:

